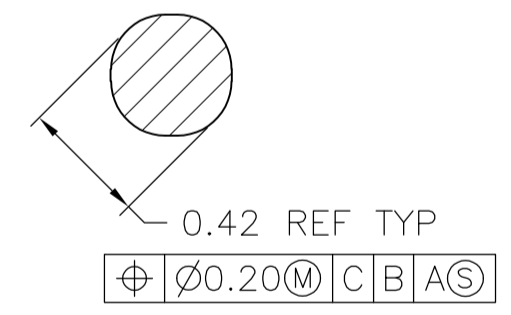
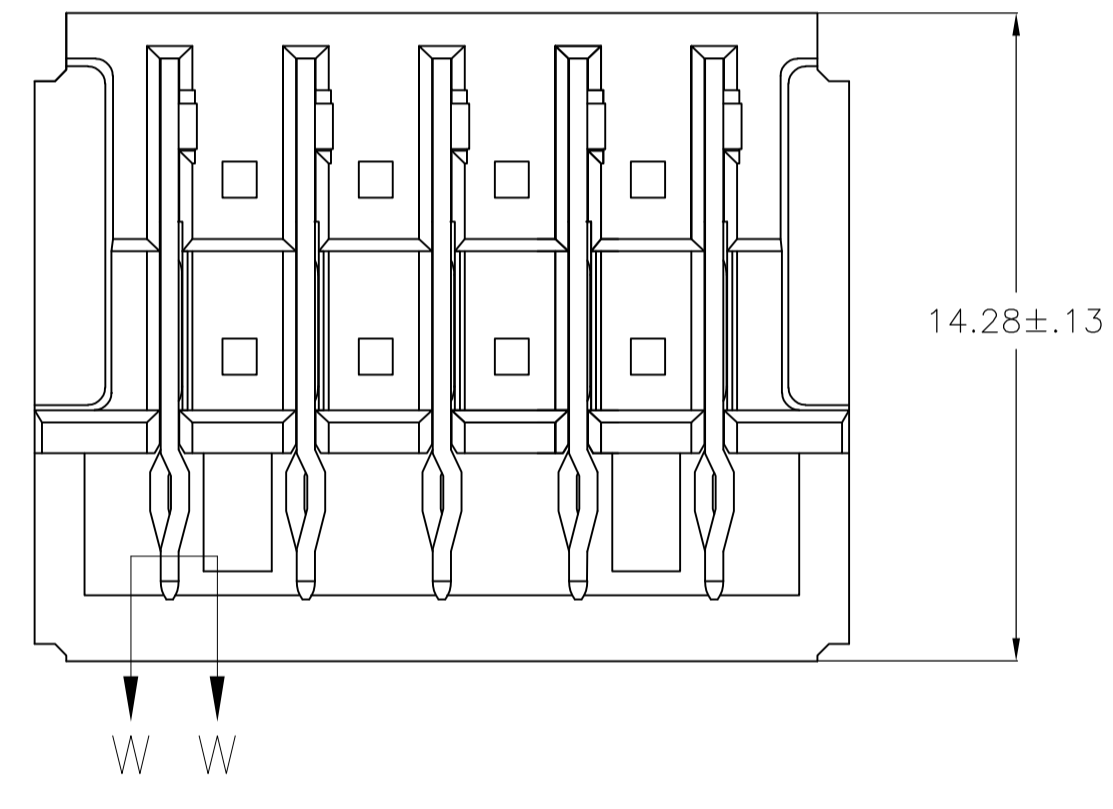
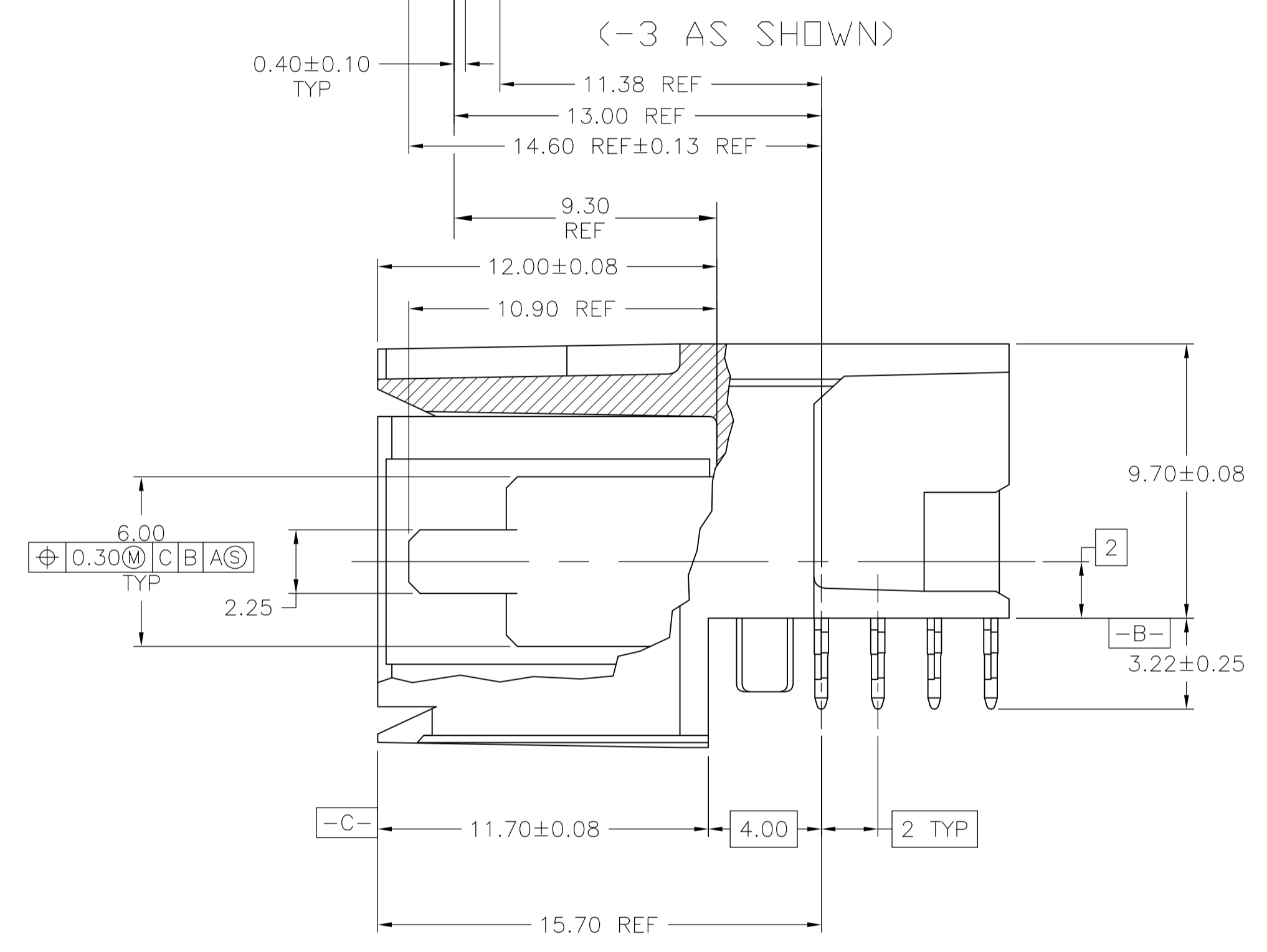
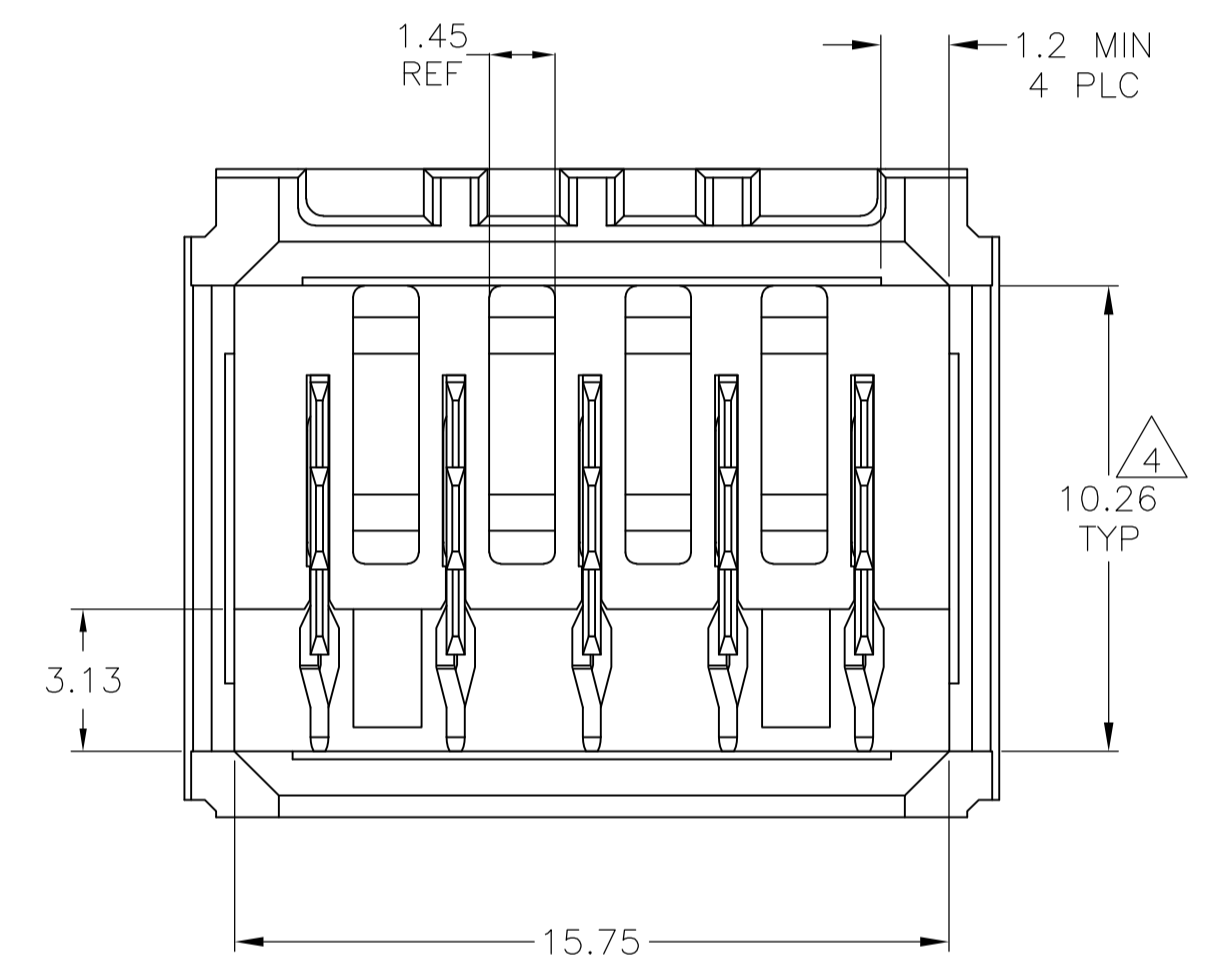
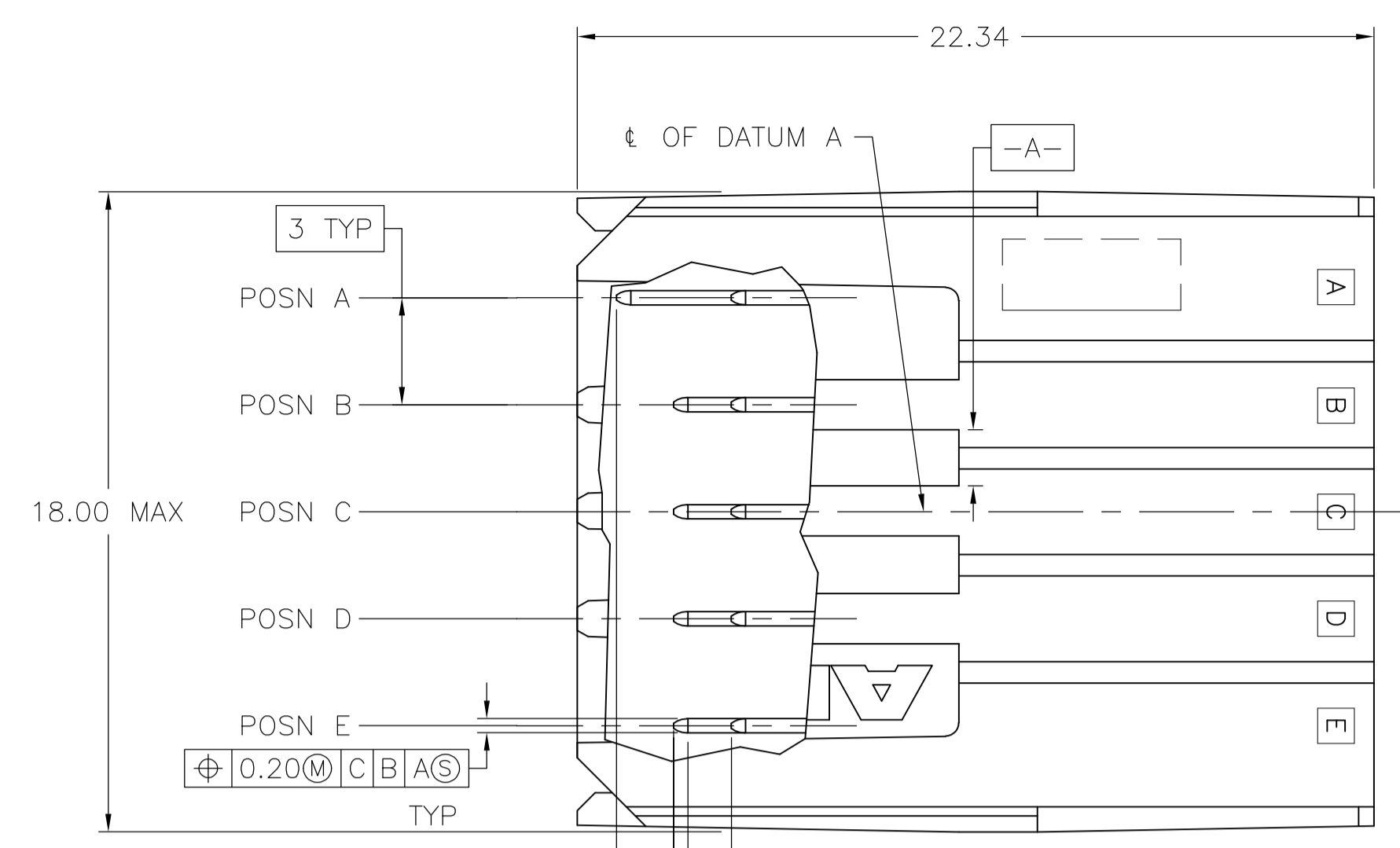
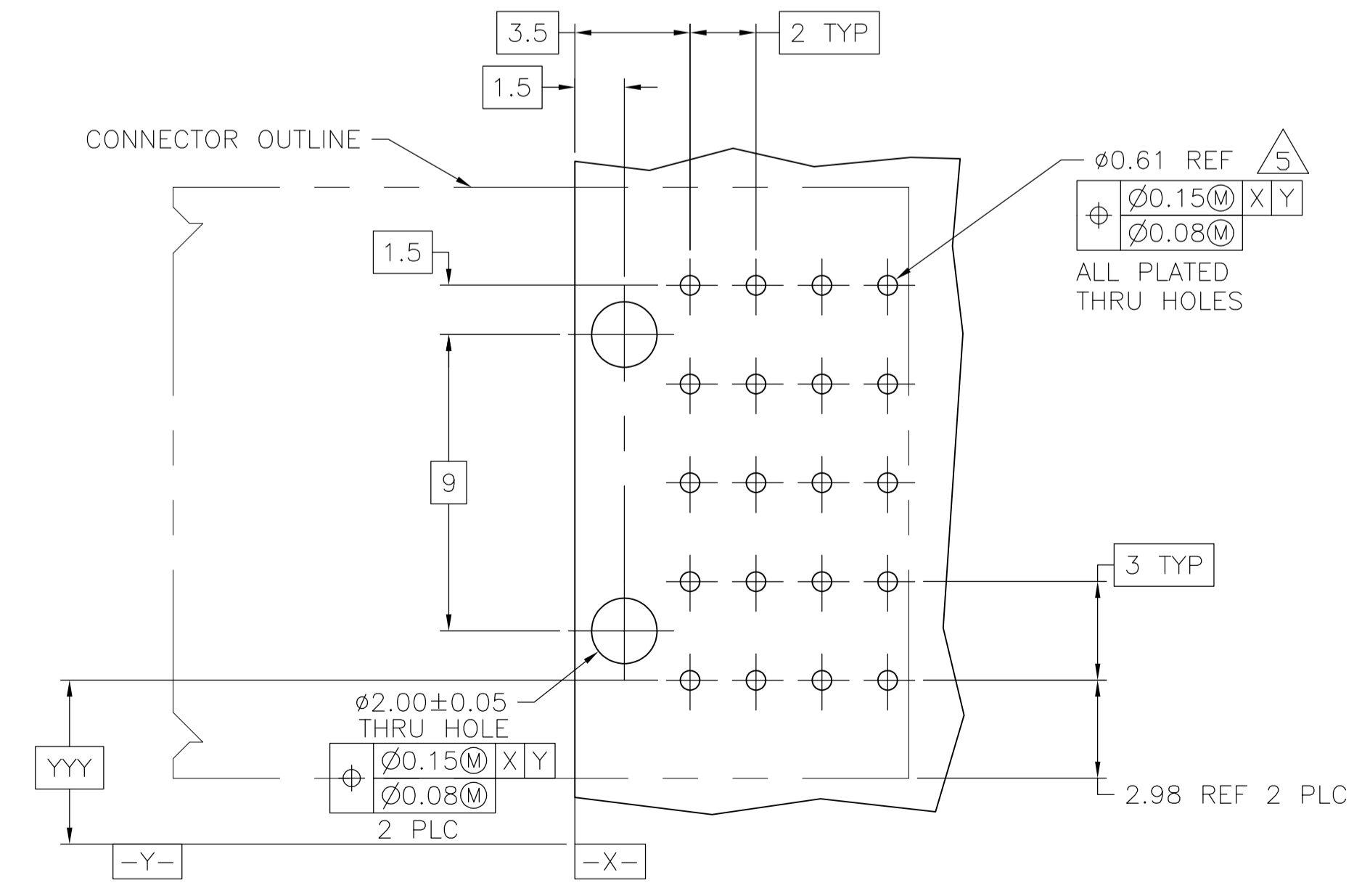


LOC		DIST		REVISIONS			
P	LTR	DESCRIPTION	DATE	DMN	APVD		
G		REVISED PER ECO-11-000045	05JAN11	DH	DY		



SECTION W-W
SCALE 40:1



RECOMMENDED PCB HOLE LAYOUT

- 1 MATERIAL: HOUSING: POLYESTER. COLOR: GRAY. UL 94V-0. CONTACT: PHOSPHOR BRONZE.
- 2 FINISH: CONTACT MATING AREA: 1.27µm MIN GOLD OR 0.08µm MIN GOLD OVER 0.76µm MIN PALLADIUM-NICKEL. ACTION PIN AREA: 0.5µm MIN TIN LEAD PLATE, ALL OVER 1.27µm MIN NICKEL UNDERPLATE.
- 3 FINISH: CONTACT LUBRICATION WITH BELLCORE APPROVED LUBRICANT. TECHNICAL REFERENCE: GR-1217-CORE, ISSUE 1, NOVEMBER 1995.
- 4 10.26 ± 0.13 DIMENSION APPLIES IN THIS AREA.
- 5 REFERENCE APPLICATION SPEC 114-1103 FOR RECOMMENDED PLATED THRU HOLE DIAMETER AND PLATING THICKNESSES.
6. CURRENT RATING 10A/CONTACT PER PRODUCT SPEC 108-1651.

POSITIONS LOADED WITH 10.90 REF CONTACTS (2)	POSITIONS LOADED WITH 9.30 REF CONTACTS (3)	NO OF LOADED POSITIONS	PART NUMBER
A	B-E	5	646955-3
E	A-D	5	646955-2
A-E	-	5	646955-1

THIS DRAWING IS A CONTROLLED DOCUMENT.

DIMENSIONS: mm	TOLERANCES UNLESS OTHERWISE SPECIFIED:	DIN 9137	08 OCT 01	Tyco Electronics Corporation
0 PLC ± -	1 PLC ± -	08 OCT 01		Harrisburg, Pa 17105-3608
2 PLC ± 0.13	3 PLC ± -	08 OCT 01		
4 PLC ± -	ANGLES ± -			

ASSEMBLY, RIGHT ANGLE HEADER, W/ RETENTION PEGS, UNIVERSAL POWER MODULE

SIZE: A1 CAGE CODE: 00779 DRAWING NO: 646955

CUSTOMER DRAWING SCALE: 6:1 SHEET: 1 OF 1 REV: G