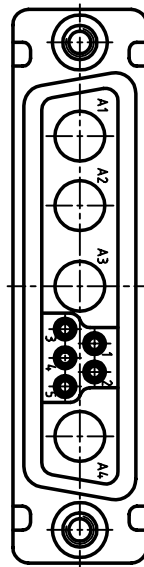
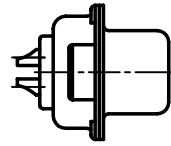
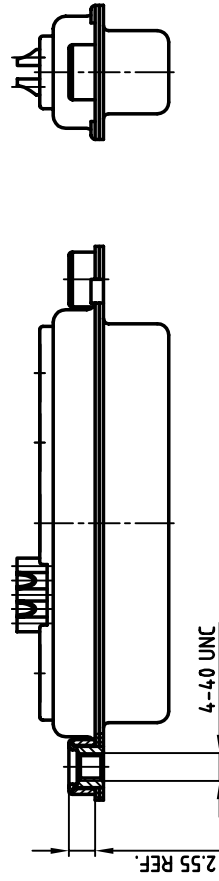
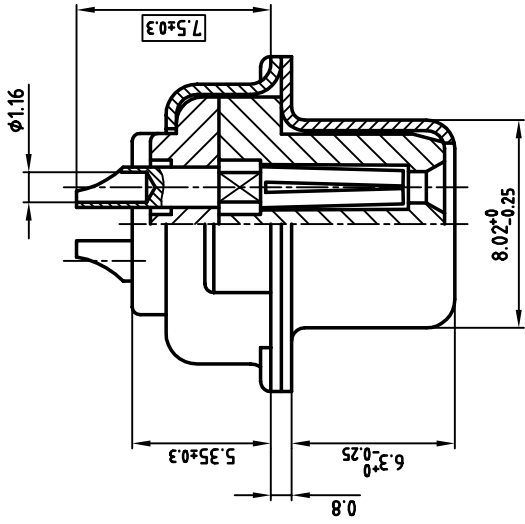
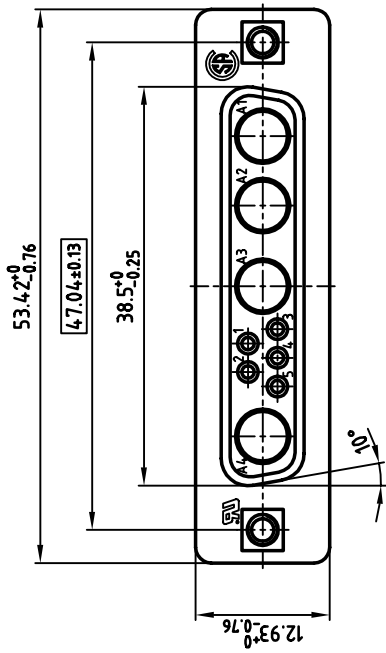


used for: D-SUB COMBINATION



- NOTES:**
1. METAL SHELLS: STEEL; min. 320 $\mu$ " TIN
  2. INSULATORS: PBT GF UL 94 V-0, GREEN
  3. SIGNAL CONTACTS: COPPER ALLOY
  4. PLATING: min. 30 $\mu$ " HARD GOLD OVER min. 50 $\mu$ " NICKEL
  5. THREADED INSERT: COPPER ALLOY; min. 200 $\mu$ " TIN over 80 $\mu$ " NICKEL
  6. MAXIMUM TORQUE VALUE FOR THREAD: 6" LBS
  7.   = CRITICAL DIMENSION: SPC

Directive 2002/95/EC  
 "RoHS"  
 Compliant

THIS DRAWING MAY NOT BE COPIED OR REPRODUCED IN ANY WAY, AND MAY NOT BE PASSED ON TO A THIRD PARTY WITHOUT WRITTEN PERMISSION.

OWNERSHIP AND COPYRIGHT OF CONEC GMBH DO NOT ALTER CAD DRAWING BY HAND

rev.	description	date	name

tolerance		scale:	2:1 (5:1)	SEE NOTES
material:		material:		
title:		title:	D-SUB COMBINATION FEMALE	
			9W4S SOLDER CUP	
			with threaded insert	
dwg no:		dwg no:	AutoCAD 2000	DIN-A
				3
				sh: 1/1
				part no: 3009W4SCM99A30X

