



We Are Dispensers

# Label Dispensers

VHB Application

APPLIANCE

pharmaceutical

Safety Seal

AUTOMOTIVE

MANUFACTURING

PACKAGING

Die-Cut Gaskets

## Non-Adhesive Cutters

Product ID

SOLAR & WIND POWER

Battery Manufacturing

Parts Assembly

FOOD & BEVERAGE

RFID

MEDICAL

## Tape Dispensers

Wire Harnessing  
Heat Shrink Tubing

ELECTRONICS

# LD3500 Series



START International  
4270 Airborn Drive, Addison, TX 75001, U.S.A.  
Tel 1.972.248.1999 • Fax 1.972.248.1991 • service@STARTinternational.com  
www.STARTinternational.com



### CONTENTS

Read this user's manual before use to ensure proper operation. Keep the manual on hand for reference in case there is a problem.

Warranty Information	Page 2
Maintenance	Page 2
Exploded View	Page 3
Features	Page 4
Notes	Page 4
Repair Policy	Page 4
Specifications	Page 4
Set-up	Page 5
Operation/Adjustments	Page 6

### WARRANTY POLICY FOR LD SERIES LABEL DISPENSERS

Start International warrants all parts on LD3500 series label dispensers against defects in design, materials and workmanship for a period of 720 days. Labor to replace defective parts will be performed at no charge for the first 180 days after date of purchase. Warranty does not cover transportation costs.

Our sale obligation under this warranty is limited to repair, replacement or credit of the purchase price, at our option, for the machines listed above, which do not perform properly the function for which they were designed.

Warranty repair is contingent upon our examination and determination that alleged defects have not been caused by misuse, abuse, improper installation or application, repair, alteration, accident or neglect in use, storage, transportation or handling.

The above warranty and remedy constitutes Start International's sole liability hereunder and are in lieu and exclusive of all other warranties and remedies expressed, implied, or statutory, including, but not limited to, those of merchantability and fitness for a particular purpose.

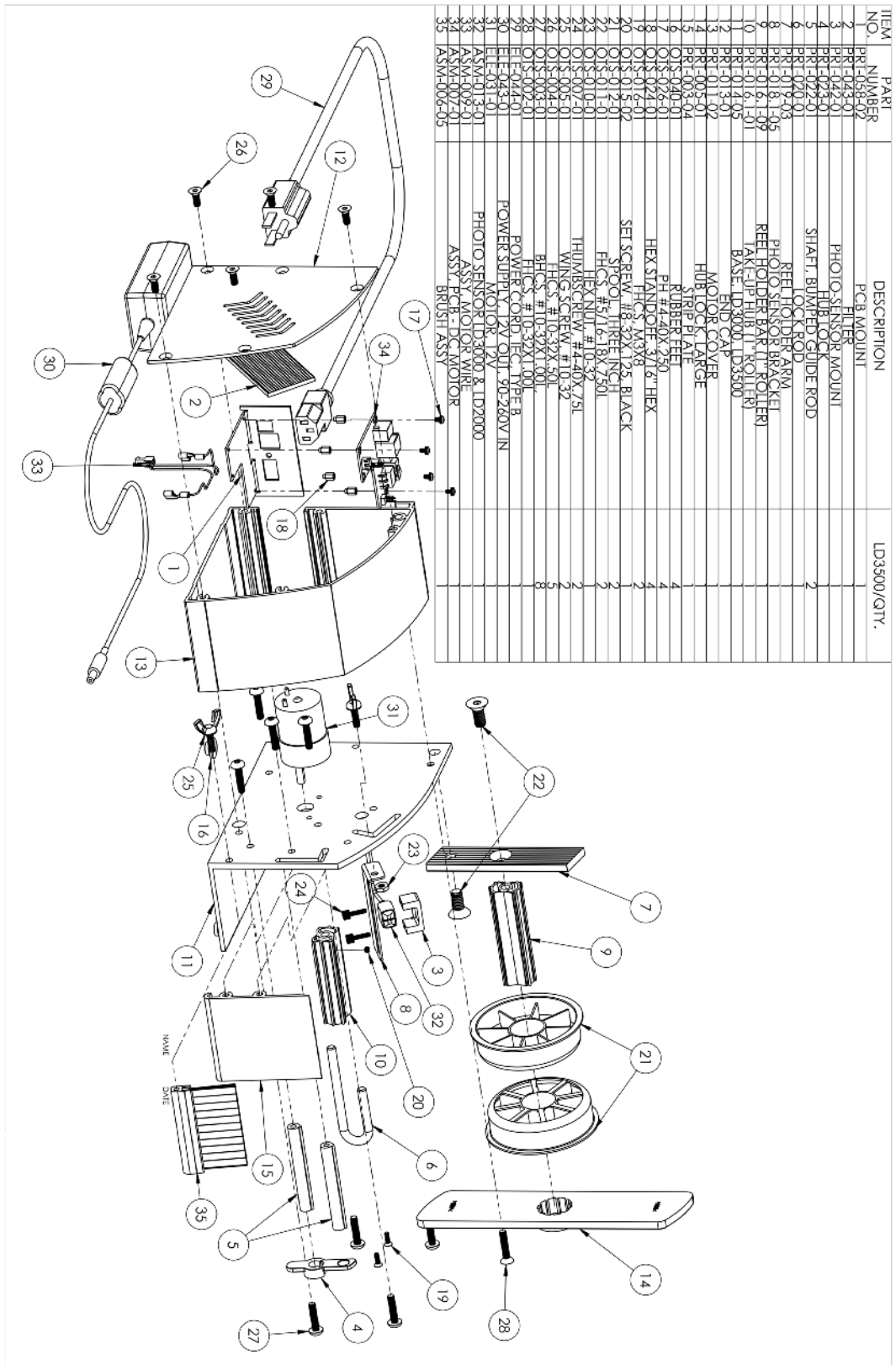
### MAINTENANCE

- Turn machine off when not in use.
- Remove liner material from take-up hub when it reaches approximately 2" in diameter or if the motor appears to be straining.
- Do not operate machine without covers in place.
- Do not operate if inspection reveals a damaged power or sensor cord.
- Keep strip plate, hold down and hub free of adhesive build-up.



We Are Dispensers

EXPLODED VIEW



ITEM NO.	PART NUMBER	DESCRIPTION	QTY.
1	PR-0588-02	PCB MOUNT	LD3500/QTY.
2	PR-0433-01	PHOTO SENSOR MOUNT	
3	PR-0424-01	FILTER	
4	PR-0223-01	HUB LOCK	
5	PR-0223-01	SHAFT, BUNDED GUIDE ROD	
6	PR-0223-01	REEL TO TOP RMA	
7	PR-0181-109	PHOTO SENSOR BRACKET	
8	PR-0161-109	REEL HOLDER BAR (1" ROLLER)	
9	PR-0161-101	BASE, LD3500, LD3500	
10	PR-01405	END CAP	
11	PR-013-01	MOTOR COVER	
12	PR-011-02	HUB LOCK LARGE	
13	PR-0053-04	STRIP PLATE	
14	OS-1004-01	RUBBER FEEL	
15	OS-1004-01	HEX STAND OFF 3/8" HEX	
16	OS-1004-01	HEX STAND OFF 3/8" HEX	
17	OS-1004-01	SET SCREW #8-32X1/25 BLACK	
18	OS-1004-01	SPOOL THREE INCH	
19	OS-1004-01	PHCS #5/16-18X750L	
20	OS-1004-01	HEX NUT #10-32	
21	OS-1004-01	THUMBSCREW #4-40X75L	
22	OS-1004-01	PHCS #10-32X100	
23	OS-1004-01	PHCS #10-32X100	
24	OS-1004-01	PHCS #10-32X100	
25	OS-1004-01	PHCS #10-32X100	
26	OS-1004-01	PHCS #10-32X100	
27	OS-1004-01	PHCS #10-32X100	
28	OS-1004-01	PHCS #10-32X100	
29	OS-1004-01	PHCS #10-32X100	
30	OS-1004-01	PHCS #10-32X100	
31	OS-1004-01	PHCS #10-32X100	
32	OS-1004-01	PHCS #10-32X100	
33	OS-1004-01	PHCS #10-32X100	
34	OS-1004-01	PHCS #10-32X100	
35	OS-1004-01	PHCS #10-32X100	



**FEATURES**

- Will dispense butt-cut and die-cut material.
- Adjustable photosensor for pinpoint accuracy.
- Handled lock rod makes scrap removal easy.
- No tools required for adjustment.

**NOTES**

- Keep strip plate free of adhesive build-up.
- Clean photosensor with compressed air or dry cloth.
- Do not drop the dispenser or subject it to heavy shock.
- Turn off machine when not in use.

**REPAIR POLICY**

Contact START INTERNATIONAL to determine nature of problem. Furnish START with the following information:

1. Who the unit was purchased from.
2. Model number and serial number.
3. Date purchased (copy of invoice or packing slip required).

START will issue an RGA (Return Merchandise Authorization for repair. Return machine to START by UPS, insured and pre-paid. START will notify the customer if there is a repair charge. A \$25.00 evaluation fee will apply to all non-warranty repairs, which will be applied to repair charge.

Model #	LD3500
Liner Capacity Width	.25" to 2.25" (6.35mm to 57.15mm)
Label Length	.25" to 3" (6.35mm to 76.2mm)
Roll Capacity	6" (15.2cm)
Feed Speed	2.2" / sec* (5.6cm / sec.)
Dimensions Inches	7.3 (L) x 4.9 (W) x 9.5 (H)
Centimeters	18.5 (L) x 12.5 (W) x 24.1 (H)
Weight	2.00 lb. (.91 kg.)
Electric Requirements	12V DC with 115V adapter (12V DC with 220V adapter available)



We Are Dispensers

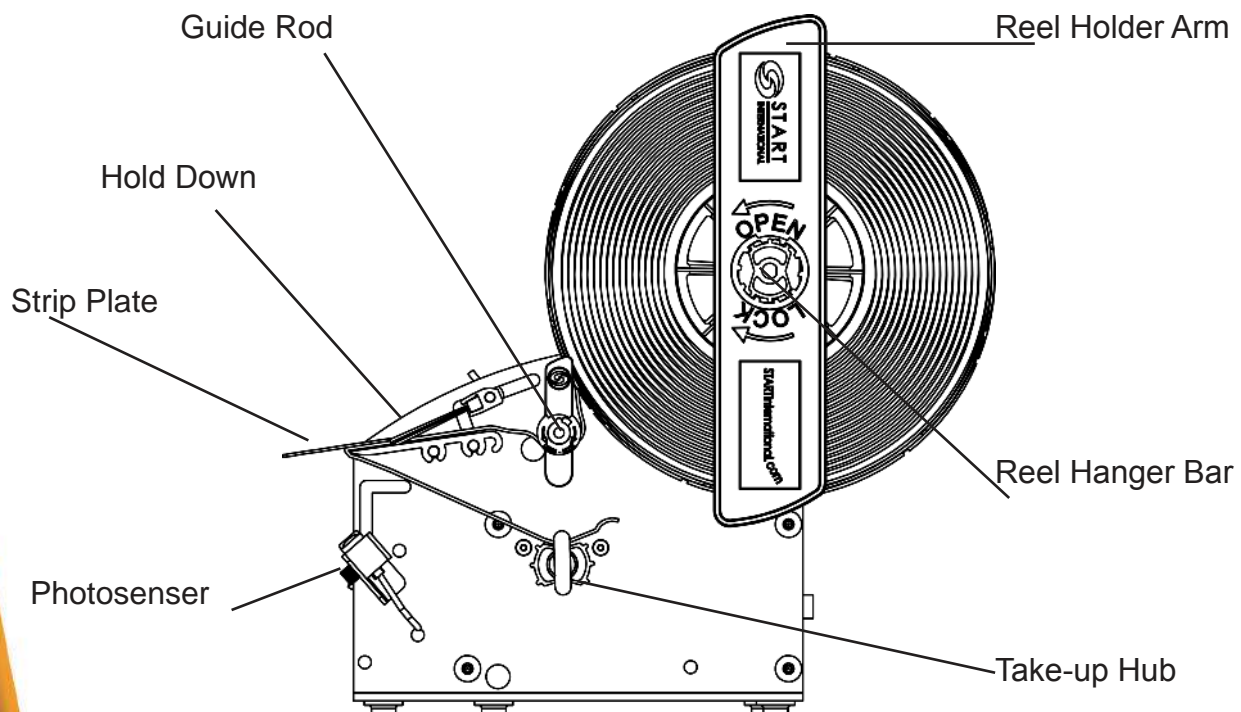
## SET-UP INSTRUCTIONS

Place the label roll onto the reel hanger bar. The roll should be against a metal lock clip so that it is held straight. Place second metal lock clip onto reel hanger bar to keep the labels snug.

Thread the web under the guide rod, between the hold down and the strip plate and back under the strip plate. Lay the web across the slot in the take-up hub. Lock the web in position with the metal lock rod. (The take-up hub turns counter-clockwise.)

### Daisy-chain option:

LD3500 dispensers can be “daisy-chained” together to operate in series. When a label is removed from one of the machines, the next label will not feed until the labels are removed from all the machines. Example: If 3 machines are “daisy-chained” together, when a label is taken off the first machine, it will not feed; when a label is taken off the second machine, it will not feed. When the label is taken from the third machine, all machines will feed their respective labels. (LD3500-CABLE needed to “daisy-chain” machines.)





## ADJUSTMENTS

### Hold Down:

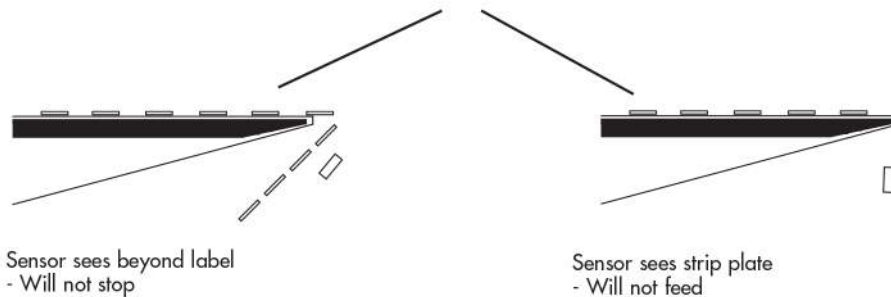
Using the upper thumbscrew on the side of the machine, adjust the hold down for tensioning. For best results, labels should be pressed firmly against the strip plate. However, if the labels are held too tightly, they will cause excessive drag on the motor.

### Photosensor:

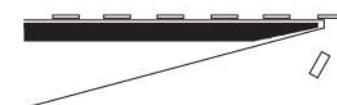
The photosensor can be adjusted in any direction by using the lower thumbscrew on the side of the machine and the thumbscrew underneath the photosensor bracket. Loosening the thumbscrew on the side of the machine allows the photosensor to move in and out. This is used to set the overhang distance of the label over the strip plate. The thumbscrew underneath the photosensor bracket is used to swivel the sensor along the front of the strip plate. When the label is being fed the correct distance, lock the bracket in place. If there are 2 or more labels across, align the photosensor with the last label to be removed. When these screws are locked in place, the machine is set.

## Positioning of Photosensor

### Incorrect



### Correct



Sensor sees front edge of label