

5

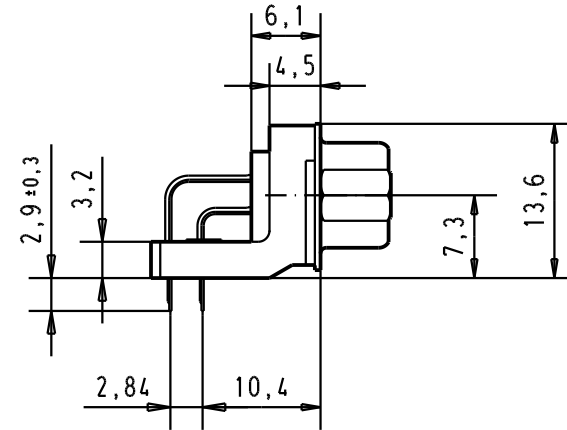
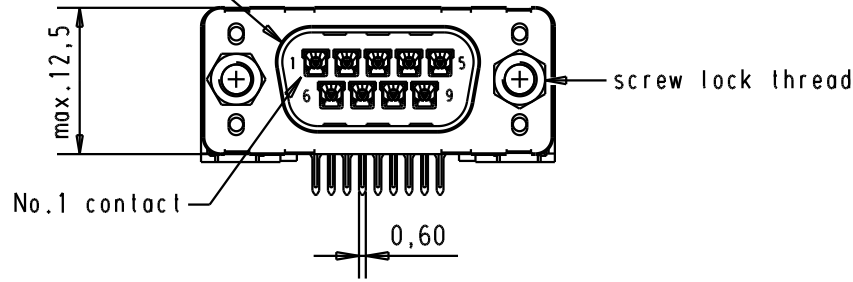
4

3

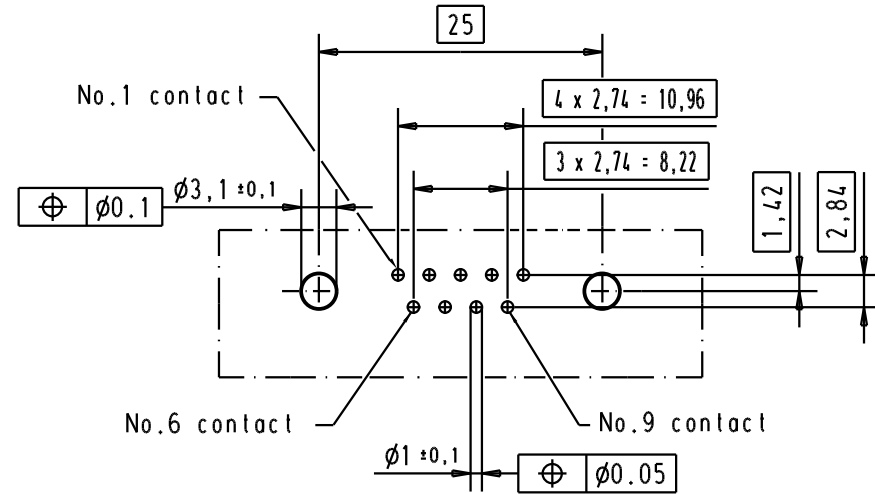
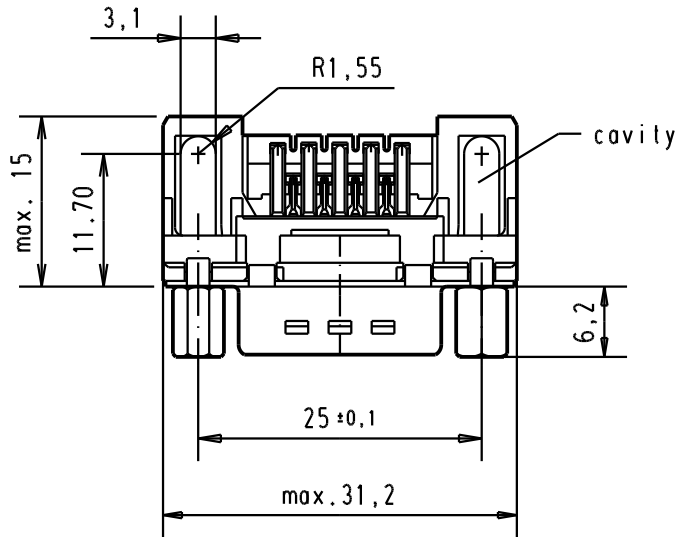
2

1

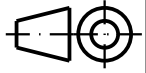

Mating face according to : MIL-C-24308 / DIN 41652 / CECC 75301-802



Printed board layout component side



A

						Dat.	Name	 <p>All Dim. in mm Orig. Size DIN A 4</p>	D-Sub, male, standard angle, 09 poles, with solder pin, screw lock and hole	Moßstab/ Scale
						Detail.	ALSPACE			1.5:1
						Insp.				
			31892	22/04/04	JH					
09 65 123 3803	4-40 UNC	1	29773	18-APR-02	CV	Stand.				
09 65 123 6803	4-40 UNC	2	29689	02/07/01	AA	HARTING EURL F-95972 Paris			TB 0965123x80x	
09 65 123 7803	4-40 UNC	3	27960	13/dec/00	ALSPACE					
Part number	Screw lock thread	Performance level	Mod.	Dat.	Name				Sub.	