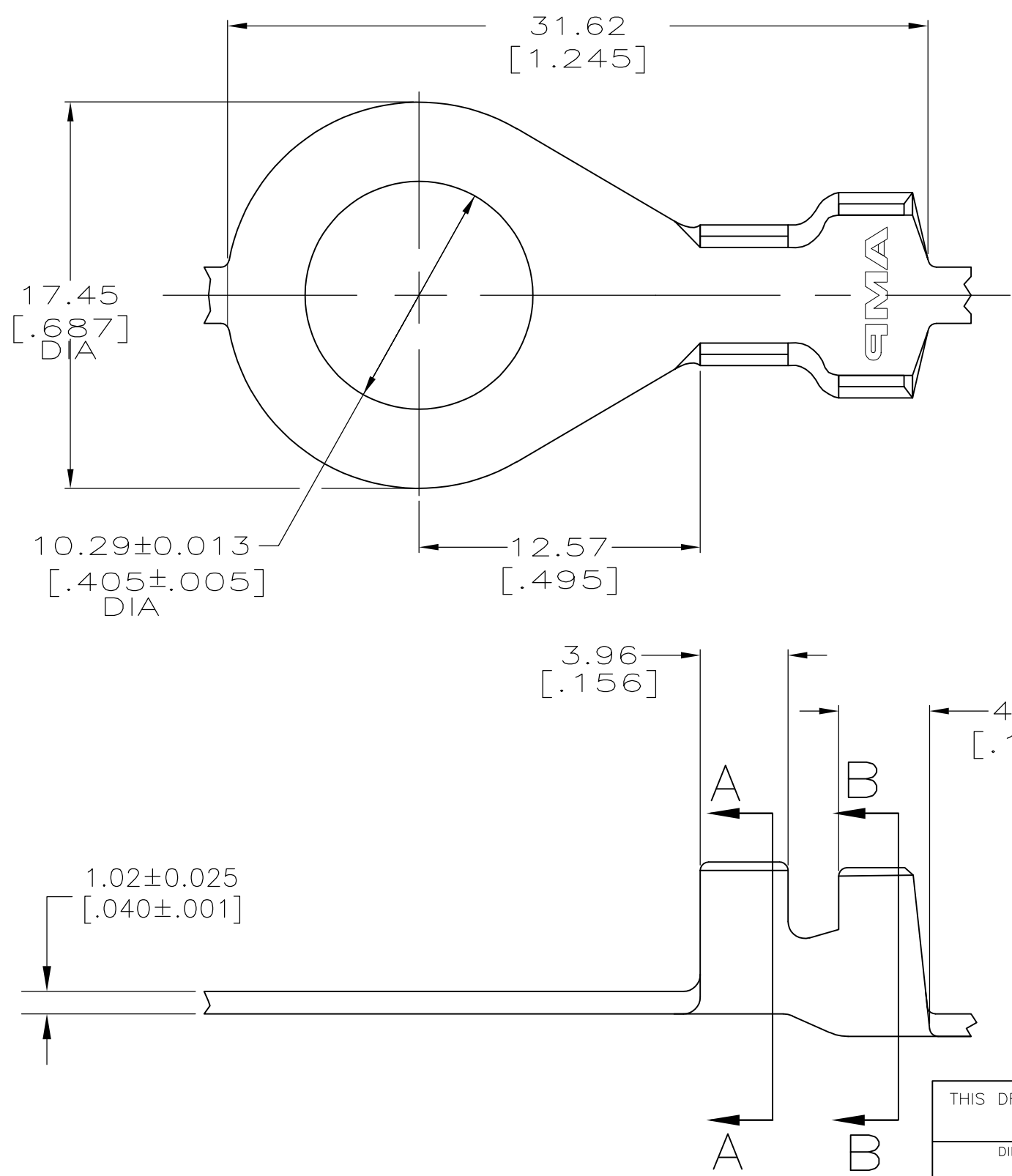
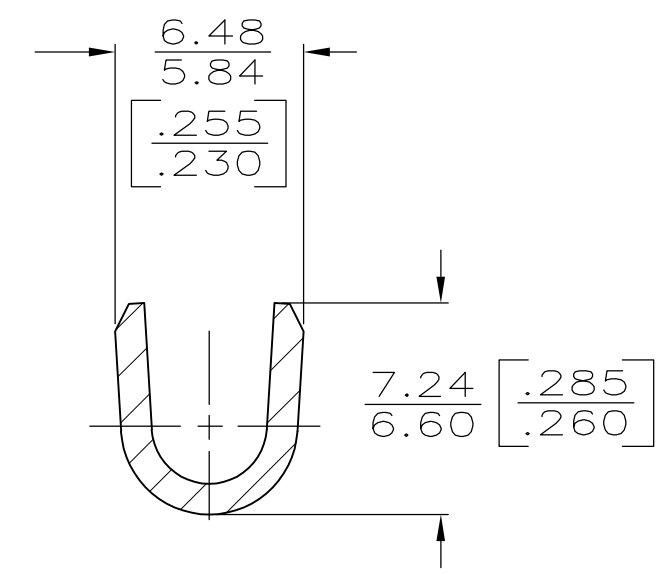


THIS DRAWING IS UNPUBLISHED. RELEASED FOR PUBLICATION
 © COPYRIGHT - TE Connectivity ALL RIGHTS RESERVED.

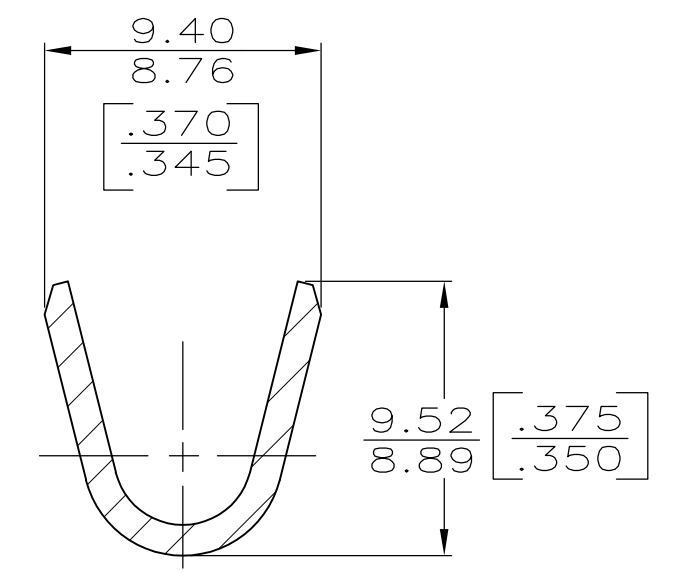
REVISIONS				
P	LTR	DESCRIPTION	DATE	APVD
P1		REVISED PER ECR-17-015193	180TT2017	FV TD



- CONTINUOUS STRIP ON REEL.
- 0.00381-0.00635 [.000150-.000250] TIN PLATE PER MIL-T-10727 OVER 0.00127 [.000050] MIN NICKEL UNDERPLATE PER QQ-N-290.
- WIRE RANGE IS 12-8 AWG
- INSULATION RANGE IS 3.81-5.59 [.150-.220] DIA



SECTION A-A



SECTION B-B

OBSOLETE	2	42947-3
	TIN	42947-2
	FINISH	PART NO.

THIS DRAWING IS A CONTROLLED DOCUMENT.		DWN 25/JAN/96 PHILLIP M FORTNEY	STE TE Connectivity	
		CHK 25/JAN/96 JEFF R RUTH		
DIMENSIONS: INCHES		APVD 25JAN96 MARK BARNABA	NAME	
TOLERANCES UNLESS OTHERWISE SPECIFIED:		PRODUCT SPEC	RING	
0 PLC ± -		APPLICATION SPEC	RESTRICTED TO	
1 PLC ± -		WEIGHT 0.000000	SIZE A3	CAGE CODE 00779
2 PLC ± 0.25 [.010]		CUSTOMER DRAWING	DRAWING NO C-42947	SCALE 4:1
3 PLC ± -			SHEET 1 OF 1	REV P1
4 PLC ± -				
ANGLES ± -				
MATERIAL 082 BRASS				
FINISH SEE TABLE				