

1

2

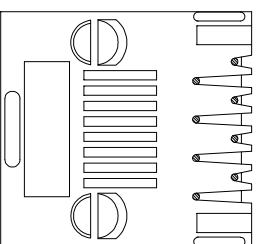
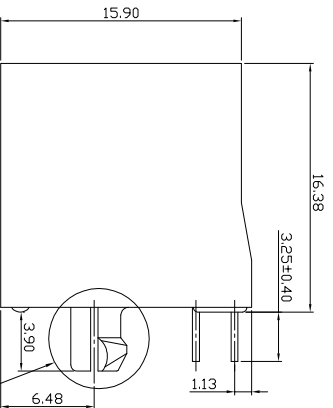
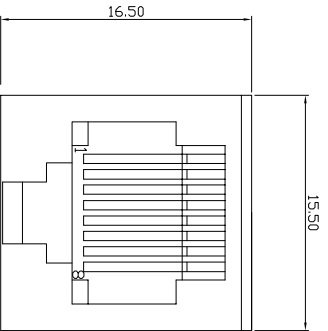
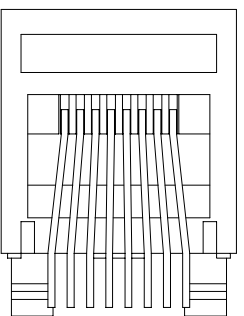
3

4

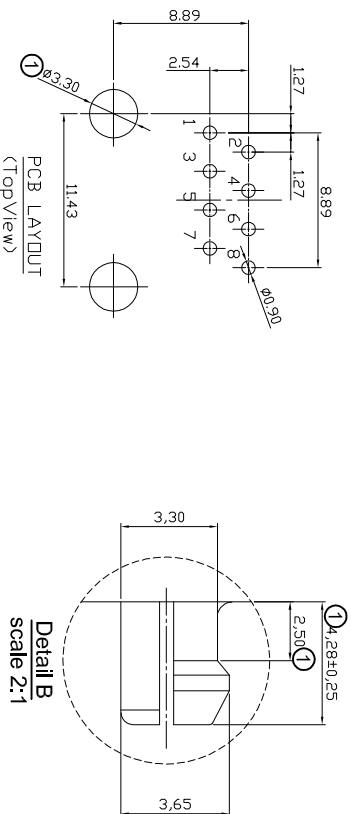
5

6

7



see detail B



Detail B
scale 2:1

A

Specification:
 1. Electrical Char
 Insulation Resistance: 500MΩ min. 500V DC
 for 1 minute

Contact Resistance: 30mΩ max.
 Rating Current: 1.5A max.
 Rating Voltage: 150V AC
 Dielectric Voltage: 1000 Vrms at 1MA 60 sec. min.

B

2. Physical Char

Housing: PBT Glass filled (UL 94V-0) Color: Black
 Soldering Temperature: 235°C for 5 sec.
 Spring Wire: 0.45mm Dia Phosphor Bronze
 6u" Gold plating over Nickel
 Temperature Range: -40°C to +85°C
 Durability: 750 mating cycles min.

3. Packing: Tray

D

E

F

RoHS compliant

Unit:mm

G

Scale	Free
TOLERANCE	
.XX	±0.20
.XXX	±0.13
.XXXX	±0.05
DIM	TOL
Angle	+0°30'

Date	Name
04.08.2016	Winnie
17.07.2018	Amy

Customer-No.
 ASSMANN WSW-No.
 A-2014-2-4-N-T-R



Correct PCB size and add dimensions	17.07.2018	Amy
Drawn	04.08.2016	Winnie
Modification		

H

Id.	Date	Name
①	04.08.2016	Winnie
②		

1	2	3	4	5	6	7

Drawing-No.
 ASS 7329 CO
 rev01

SHEET