



# APPROVAL

CUSTOMER : \_\_\_\_\_

ITEM	DIELECTRIC PATCH ANTENNA
PART NO	JLT1600S18N4C
SERIAL NO	
DATE	04. Mar. 2016

DESIGN	CHECK	APPROVAL
STON		

JIASHAN JINCHANG ELECTRON CO.,LTD

Add: JiaShan Highway 1897# Jiashan, Zhejiang, China


http: //www.jinchangGPS.com

Tel: +86 573-84669686 83958636

PC: 314100

E-Mail: jcgps@vip.163.com

Fax: +86 573-84669586 83958635

CUSTOMER	MANUFACTURER	SPECIFICATION	SERIAL NO : JTAP16-R&D-0008A
			DATE : 12.Ap. 2016
		DIELECTRIC Patch ANTENNA	REVISION :
			PAGE : 2/8

### 1. PART NO :

JLT1600S18N4C

### 2. TEST CONDITIONS :

- 1) NORMAL CONDITION :  
TEMPERATURE 20℃, HUMIDITY 60% RH.
- 2) STANDARD CONDITION :  
TEMPERATURE 5 TO 35℃, HUMIDITY 45 TO 85% RH.


### 3. COMPOSITION AND MATERIALS :

NO	PART NAME	COMPOSITION AND MATERIALS
1	DIELECTRIC ALUMINA	Er : 45
2	ROHS ABOUT MATERIAL	APPLIED
3	ELECTRODE	SILVER
5	ELECTRODE PLATING ADHESION (PEEL STRENGTH)	Min. 4 kg in 10mm square at the corner

### 4. ROUTINES:

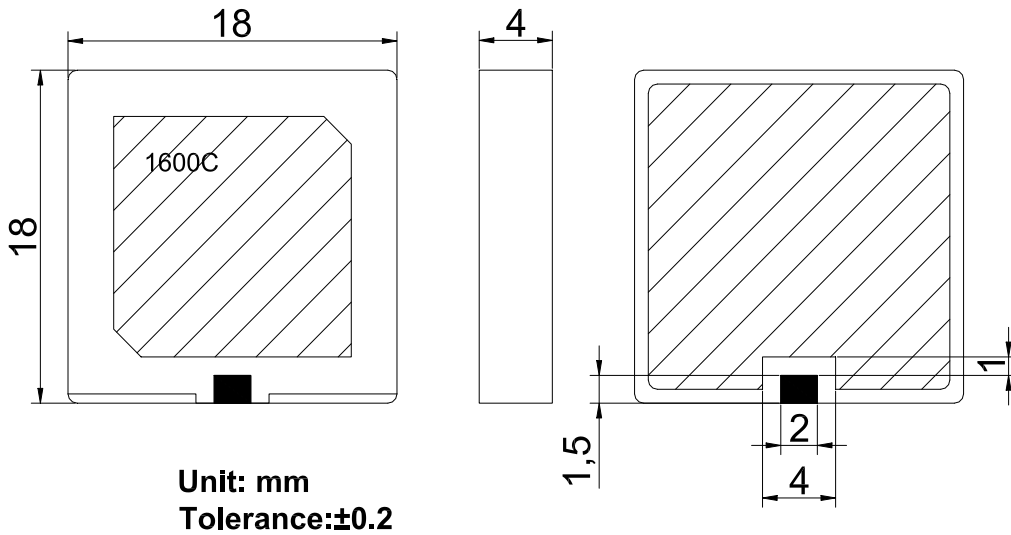
- 1) OPERATION TEMPERATURE RANGE : -40 ~ +85℃
- 2) OPERATING HUMIDITY RANGE : 5 TO 95% RH
- 3) STORAGE TEMPERATURE RANGE : -35 ~ +80℃
- 4) STORAGE PERIODS : 12 Months Max.

No.	REVISION	DATE	DESIGN	CHECK	APPROVAL
1			<b>STON</b>		
2					

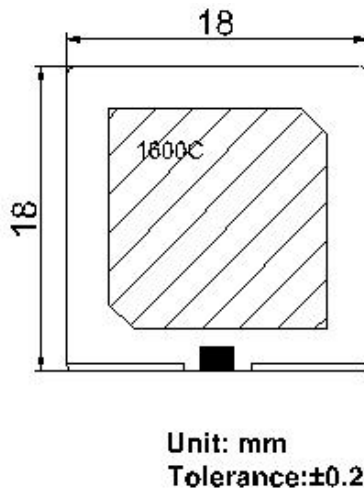
CUSTOMER	MANUFACTURER	SPECIFICATION	SERIAL NO : JTAP16-R&D-0008A
			DATE : 12.Ap. 2016
		DIELECTRIC PATCH ANTENNA	REVISION :
			PAGE : 3/8

## 5. APPEARANCE AND DIMENSIONS:


### 5-1. DIMENSION :



### 5-2. MARKING :



No.	REVISION	DATE	DESIGN	CHECK	APPROVAL
1			<b>STON</b>		
2					

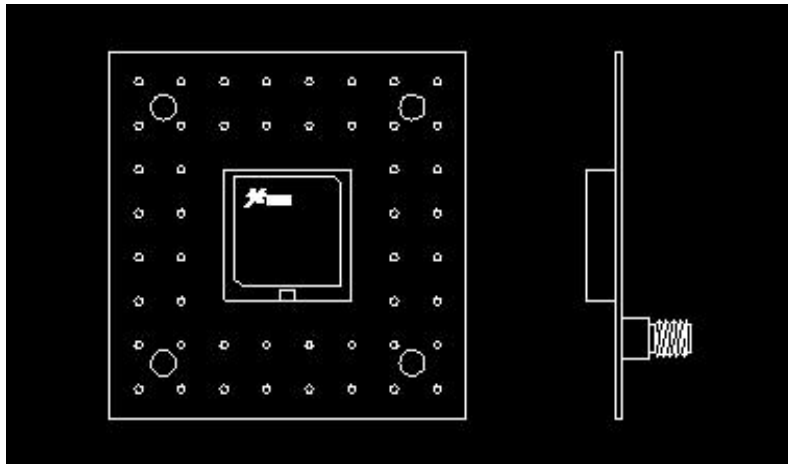
CUSTOMER	MANUFACTURER	SPECIFICATION	SERIAL NO : JTAP16-R&D-0008A
			DATE : 12.Ap. 2016
		DIELECTRIC PATCH ANTENNA	REVISION :
			PAGE : 4/8

## 6. ELECTRICAL CHARACTERISTICS:

No.	ITEM	SPEC	Unit
1	Center Frequency	1600±3	MHz
2	Bandwidth in -10 dB	14.0 Min.	MHz
3	Impedance	50	Ω
4	Polarization	RHCP	
5	Axial Ratio	4 Max	dB
6	Peek Gain	1.5	dBic
7	Frequency Temperation Coefficient	0±20ppm/°C	
8	Operation Temperature Range	-40°C to +85°C	


## 7. TEST FIXTURE AND ANTENNA SETUP & MEASUREMENT

Test at CIROCOMM PCB (50\*50\*1.0MM)

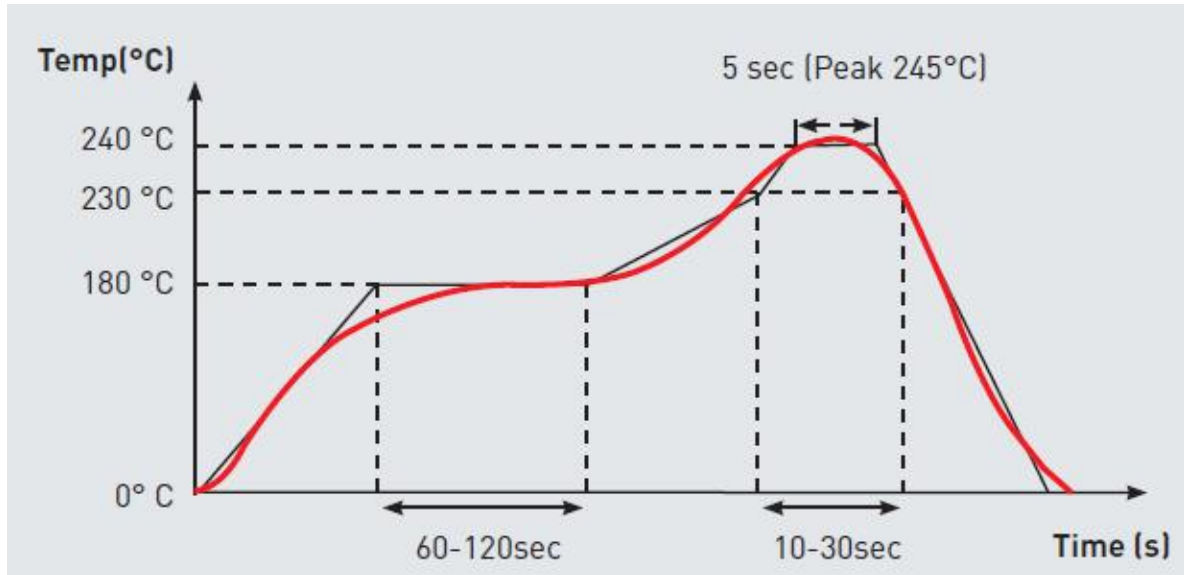


No.	REVISION	DATE	DESIGN	CHECK	APPROVAL
1			<b>STON</b>		
2					



CUSTOMER	MANUFACTURER	SPECIFICATION	SERIAL NO :	JTAP16-R&D-0008A
			DATE :	12.Ap. 2016
		DIELECTRIC PATCH ANTENNA	REVISION :	
			PAGE :	6/8

## 9. REFLOWER SOLDERING CONDITION:




Use rosin-based flux. Don't use highly acidic flux with halide content exceeding 0.2wt%(chlorine conversion value). Use Sn solder. Alloy: Sn96.5/Ag3.0/Cu0.5

## 10. MECHANICAL PERFORMANCE :

ITEMS	CONDITIONS	SPECIFICATIONS
VIBRATION TEST	Freq. : 10 ~ 55 Hz Amplitude : 1.5 mm Duration :X、 Y、 Z 2 hours per each axis of X,Y and Z crossing axes.	①Electrical performance requirements must be satisfied for clause No.6.  ② No excessive changes in Appearance may be observed.
DROP SHOCK	3 times non-accelerated natural drops from 70cm above a wood board.	
CONDUCTOR THICKNESS	Conductor electrode : Silver Silver thickness : 5 ~ 20 $\mu\text{m}$	
TENSILE STRENGTH (PULL OUT)	Adhesion strength : 4kgf/cm <sup>2</sup> Min. Measurement M/C : FORCE GAUGE Method : After attaching lead pin on the surface of filter, using the tensile test M/C pull out each other side.	

No.	REVISION	DATE	DESIGN	CHECK	APPROVAL
1			<b>STON</b>		
2					

CUSTOMER	MANUFACTURER	SPECIFICATION	SERIAL NO : JTAP16-R&D-0008A
			DATE : 12.Ap. 2016
		DIELECTRIC PATCH ANTENNA	REVISION :
			PAGE : 7/8

## 11. INSPECTION DATA:

THE FOLLOWING ITEMS SHALL BE DESCRIBED IN THE INSPECTION DATA SHEET AND ONE COPY OF THE SHEET IS SUBMITTED WITH UNIT AT EACH SHIPMENT.

- 1) SPECIFICATION
- 2) MODEL NO.
- 3) PRODUCTION LOT NO.
- 4) SHIPMENT QUANTITY AND INSPECTED QUANTITY
- 5) ELECTRICAL CHARACTERISTIC DATA
- 6) TEST CONDITION

## 12. OTHERS:


IN CASE OF ANY PROBLEM REGARDING THIS SPECIFICATION, BOTH *CUSTOMER* AND *JIAXIN JINCHANG* DISCUSS AND SOLVE IT.

## 13. Packing Specifications:

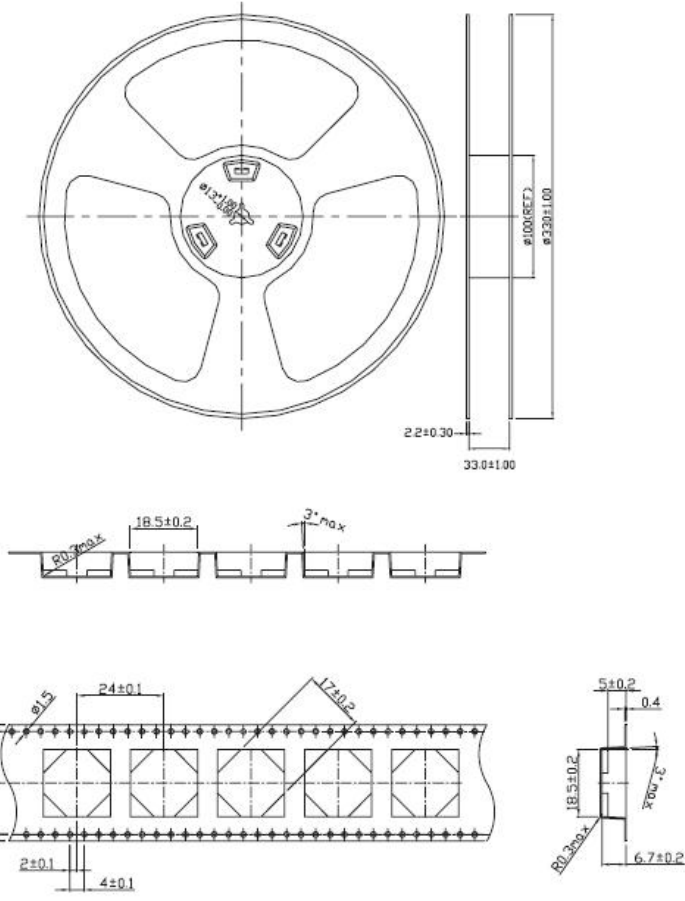
THE FOLLOWING ITEMS SHALL BE DESCRIBED IN THE INSPECTION DATA SHEET AND ONE COPY OF THE SHEET IS SUBMITTED WITH UNIT AT EACH SHIPMENT.

- 1) SPECIFICATION
- 2) MODEL NO.
- 3) PRODUCTION LOT NO.
- 4) SHIPMENT QUANTITY AND INSPECTED QUANTITY
- 5) ELECTRICAL CHARACTERISTIC DATA
- 6) TEST CONDITION

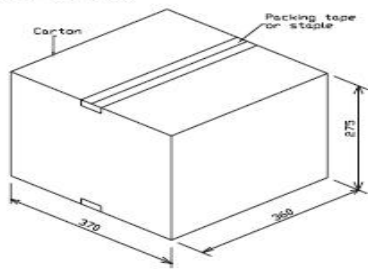
No.	REVISION	DATE	DESIGN	CHECK	APPROVAL
1			<b>STON</b>		
2					

CUSTOMER	MANUFACTURER	SPECIFICATION	SERIAL NO : JTAP16-R&D-0008A
			DATE : 12.Ap. 2016
		DIELECTRIC PATCH ANTENNA	REVISION :
			PAGE : 8/8

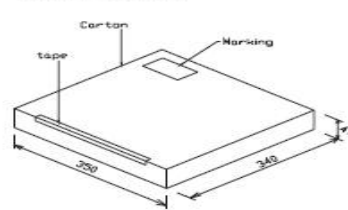
14. Delivery Mode:



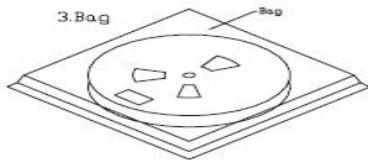
1.Outer Carton



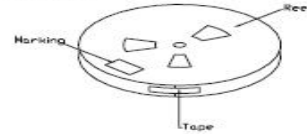
2.Inner Carton



3.Bag



4.Taping



Unit:mm

No.	REVISION	DATE	DESIGN	CHECK	APPROVAL
1			<b>STON</b>		
2					



