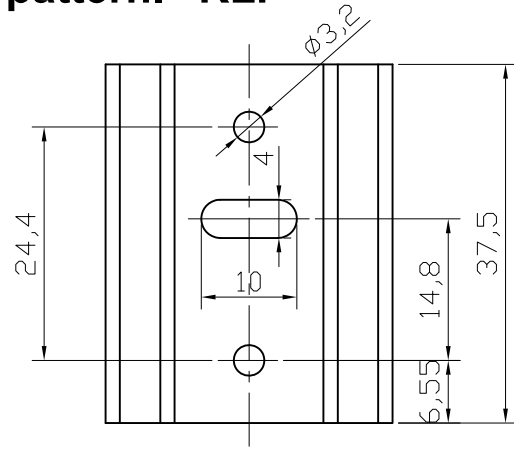
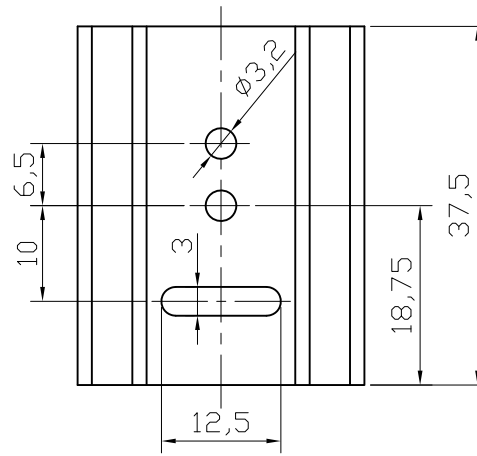


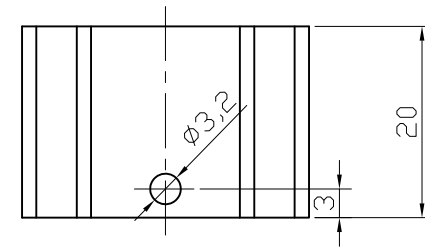
Hole pattern: KLP



KLM

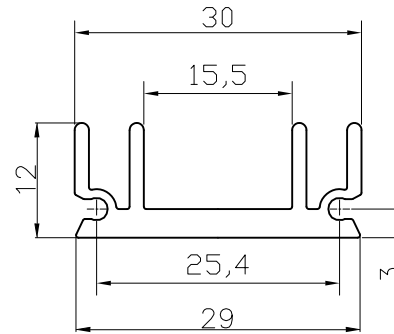


TO-220



Material: AL6063-T5
Finish: Black anodized

P/N	Hole pattern	Thermal resistance (K/W)
V6560N	TO-220	15
V6560K	KLP	13
V6560R	KLM	13



RoHS compliant
Unit:mm

Scale	Free				Date	Name	Customer-No.	
TOLERANCE					Drawn	16.01.2013	Amy	ASSMANN WSW-No. V6560x
					Approved	16.01.2013	Amy	
DIM	±0.25							Drawing-No.
								ASS 2067 HS
Angle	TOL	Id.	Modification	Date	Name	Replace		Sheet



© Drawn 16.01.2013 Amy

rev00