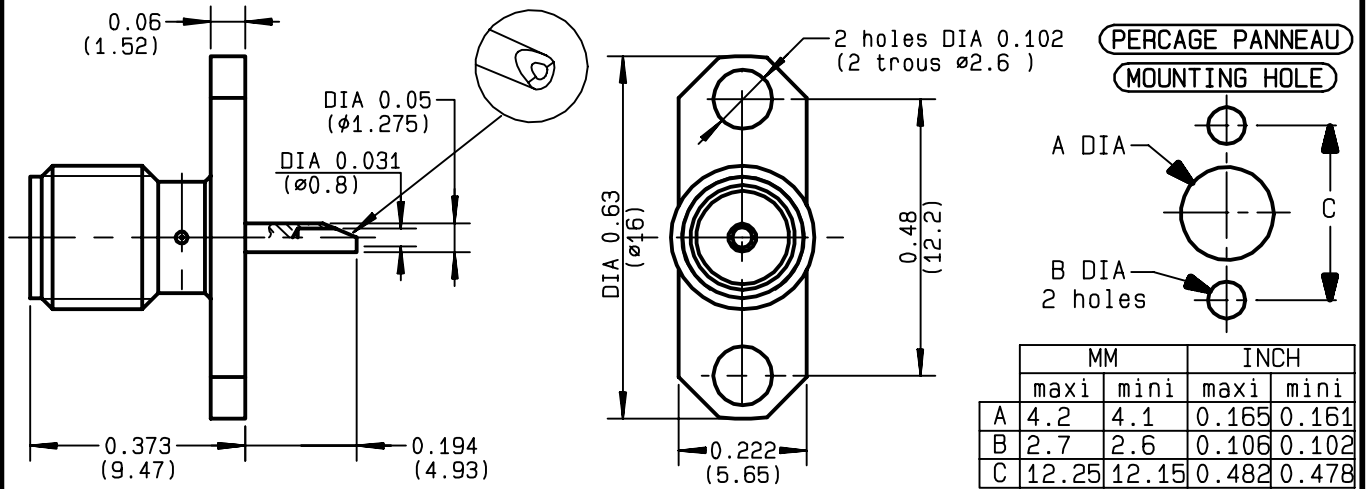


**2 HOLES FLANGE JACK RECEPTACLE  
WITH SOLDER POT CONTACT**

**R124.454.120**  
**SERIES SMA-COM**

4 indents captivation c. contact  
(Tenue c. central par 4 creves)



NOMINAL IMPEDANCE	<b>50</b>	$\Omega$
FREQUENCY RANGE	<b>0-18</b>	GHz
TEMPERATURE RATING	<b>-65/+165</b>	$^{\circ}C$
V.S.W.R	<b>1.04</b> + <b>.0056</b> x F(GHz)Maxi	
RF INSERTION LOSS	<b>0.05</b> $\sqrt{F}$ (GHz) dB Maxi	
VOLTAGE RATING	<b>500</b>	Veff Maxi
DIELECTRIC WITHSTANDING VOLTAGE	<b>1000</b>	Veff Mini
INSULATION RESISTANCE	<b>5000</b>	M $\Omega$ Mini
HERMETIC SEAL	<b>NA</b>	Atm.cm <sup>3</sup> /s
LEAKAGE (pressurized only)	<b>NA</b>	
MECHANICAL DURABILITY	<b>100</b>	Cycles
WEIGHT	<b>1.7</b>	gr
SPECIFICATION		

CABLES :

OTHERS CHARACTERISTICS

**cc4.93-is0-tro12.7-cr**

CABLE RETENTION	<b>NA</b>	N Mini
CENTER CONTACT RETENTION		
Axial force - mating end	<b>27</b>	N Mini
Axial force - opposite end	<b>27</b>	N Mini
Torque	<b>2.8</b>	cm.N Mini
RECOMMENDED TORQUES		
Mating	<b>NA</b>	cm.N
Panel nut	<b>NA</b>	cm.N
Clamp nut	<b>NA</b>	cm.N

CONNECTOR PARTS	MATERIALS	FINISH	(all values are given in micrometers)
BODY	BRASS	BBR 2	
OUTER CONTACT			
CENTER CONTACT	BERYLLIUM COPPER	GOLD 1.3 OVER COPPER 2.5	
INSULATOR	PTFE	-	
GASKET		-	
OTHERS PIECES			

TRIQUES

ISSUE	CREATION DATE	FILE PART-NUMBER
<b>9847C00</b>	<b>30/06/1993</b>	<b>EPC 97-03</b>



**RADIALL**®

The information given here is subject to change without notice.  
Design changes may be in order to improve the product .

*Connect to the future*