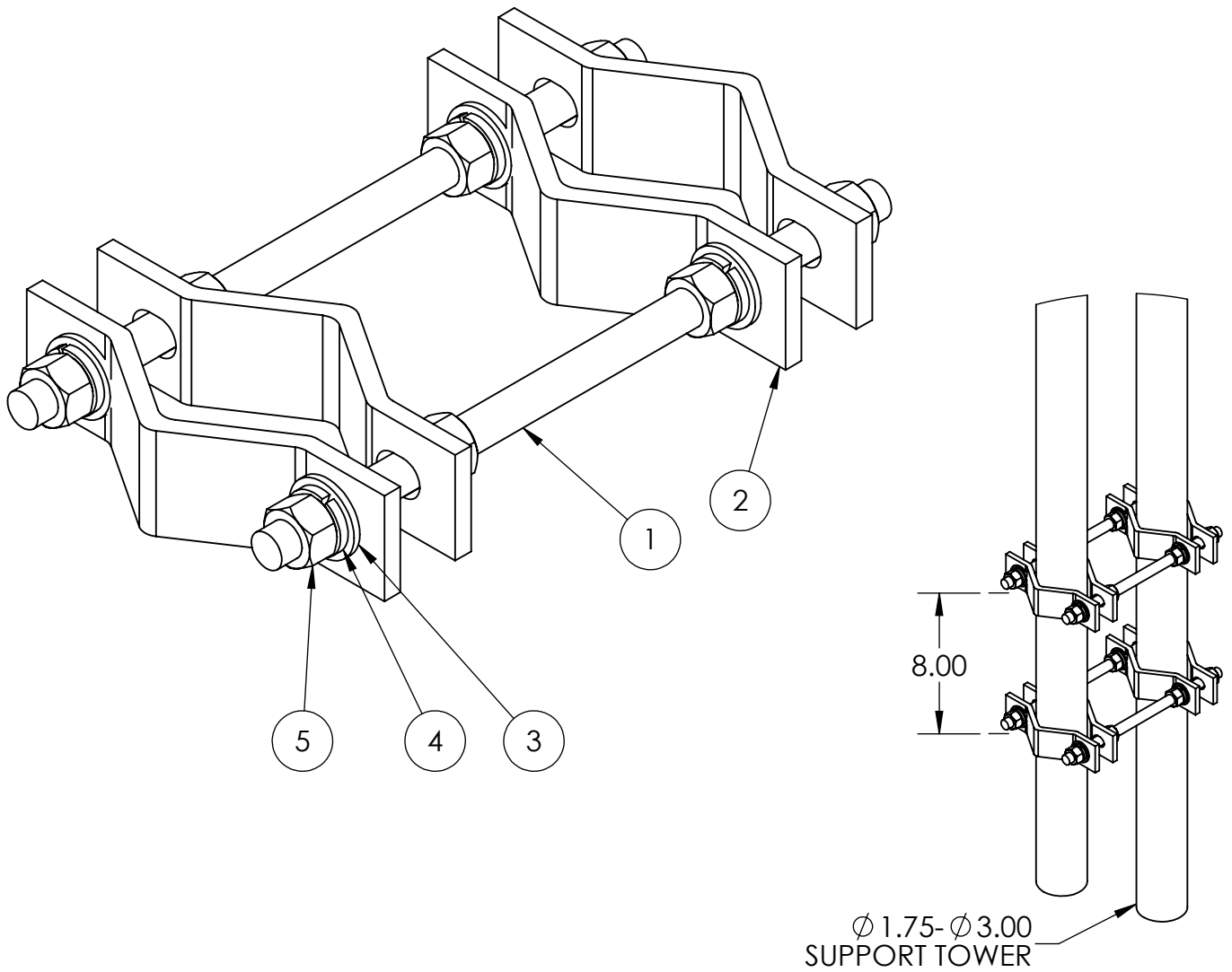




REVISIONS			
REV.	DESCRIPTION	DATE	APPROVED
A	UPDATED TO NEW ALIVE FORMAT	4/20/2018	



ITEM NO.	PART NUMBER	DESCRIPTION	QTY.	Length (IN)
1	45-0037	.50-13 GALV. THREADED ROD	4	10.00
2	PLMT-CLAMP	CLAMP	8	
3	10-0037	.50 GALV. FLAT WASHER	16	
4	15-0031	.50 GALV. LOCK WASHER	16	
5	20-0117	.50-13 GALV. HEX HEAD NUT	16	

TITLE: PLMTKIT - ASSEMBLY		
DRAWN BY: SM	DWG#: PLMTKIT	SHEET 1 OF 1