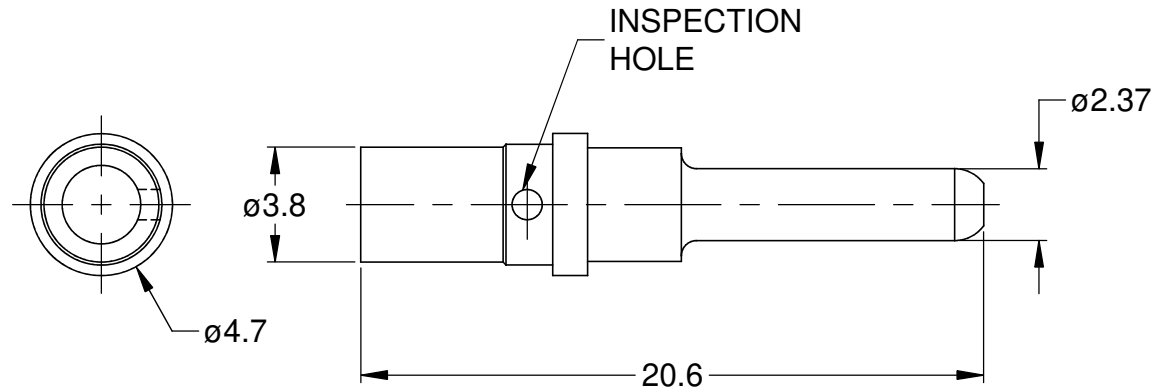
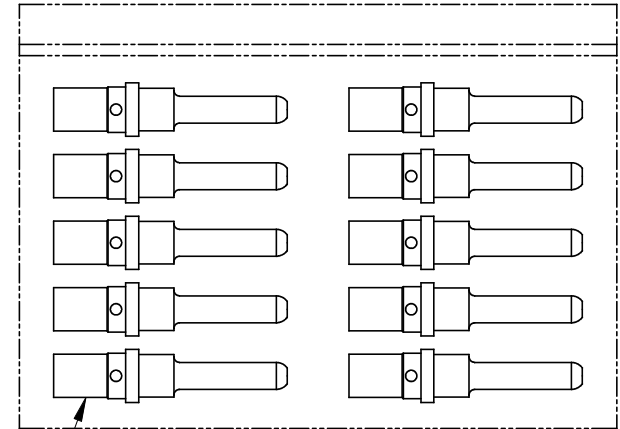


| REVISIONS |     |             |          |     |      |
|-----------|-----|-------------|----------|-----|------|
| REV       | ECO | DESCRIPTION | DATE     | BY  | APPR |
| A         | -   | RELEASE     | 10/07/13 | DRP | -    |



REFERENCE DIMENSIONS



KIT CONTENTS

1

NOTES: UNLESS OTHERWISE SPECIFIED

1. MATERIAL: COPPER ALLOY; NICKEL PLATED
2. CONTACT SIZE: 12
3. SPECIFICATIONS:
  - 3.1 CURRENT RATING: 25 AMP
  - 3.2 CONTACT MILLIVOLT DROP: 60 MILLIVOLT DROP @ 25 AMP TEST CURRENT.
  - 3.3 RoHS COMPLIANT
4. RECOMMENDED WIRE RANGE: 12 - 14 AWG
5. AVAILABLE HAND CRIMPER: CA-5D12
6. ALL DIMENSIONS ARE FOR REFERENCE USE ONLY

| 10                                    | AT60-204-12141 | CONTACT, PIN, SOLID, SIZE 12   | 1        |      |      |         |          |   |    |                 |   |
|---------------------------------------|----------------|--|----------|------|------|---------|----------|---|----|-----------------|---|
| QUANTITY                              | MATERIALS LIST |  | ITEM     |      |      |         |          |   |    |                 |   |
| UNLESS OTHERWISE SPECIFIED            |                | <h1 style="text-align: center;">Amphenol</h1> <p style="text-align: center;">Sine Systems - www.amphenol-sine.com<br/>44724 Morley Drive<br/>Clinton Township, MI 48036</p> <p style="text-align: center;">KIT, SIZE 12 SOLID PIN, 12-14 AWG,<br/>ATP &amp; AHD-6 SERIES, 10 PCS</p> |          |      |      |         |          |   |    |                 |   |
| 1) All dimensions are in metric (mm). |                |  |          |      |      |         |          |   |    |                 |   |
| 2) Tolerances are as follows:         |                |  |          |      |      |         |          |   |    |                 |   |
| 3) Note reference = $\triangle X$     |                |  |          |      |      |         |          |   |    |                 |   |
| MATERIAL SPECIFICATIONS:              |                |  |          |      |      |         |          |   |    |                 |   |
| PROCESS SPECIFICATIONS:               |                | <table border="1"> <tr> <td>SIZE</td> <td>TYPE</td> <td>DWG NO:</td> <td>REVISION</td> </tr> <tr> <td>A</td> <td>C-</td> <td>AT60-204-12NKIT</td> <td>A</td> </tr> </table>  |          | SIZE | TYPE | DWG NO: | REVISION | A | C- | AT60-204-12NKIT | A |
| SIZE                                  | TYPE           | DWG NO:  | REVISION |      |      |         |          |   |    |                 |   |
| A                                     | C-             | AT60-204-12NKIT  | A        |      |      |         |          |   |    |                 |   |
| NEXT ASS'Y:                           |                | SCALE: NONE  |          |      |      |         |          |   |    |                 |   |
|                                       |                | SHEET 1 OF 1   |          |      |      |         |          |   |    |                 |   |