

4

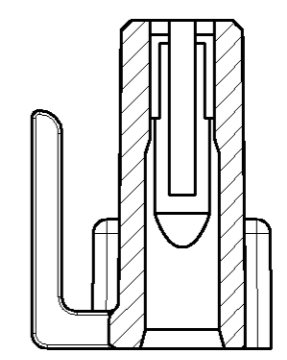
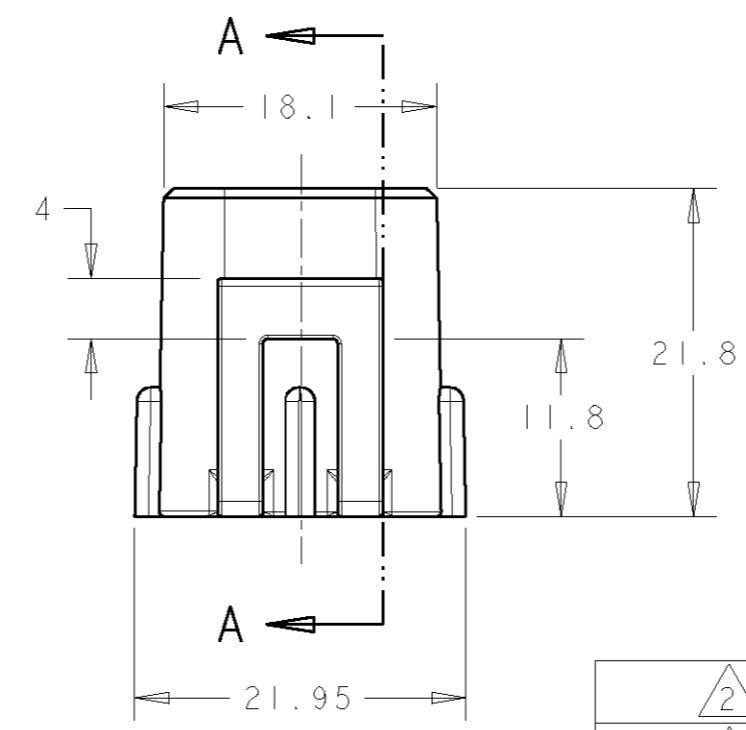
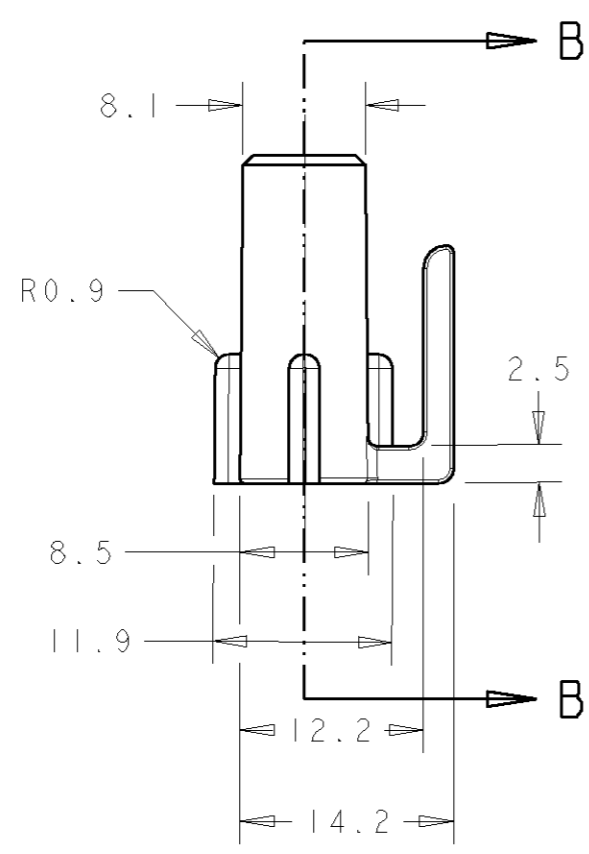
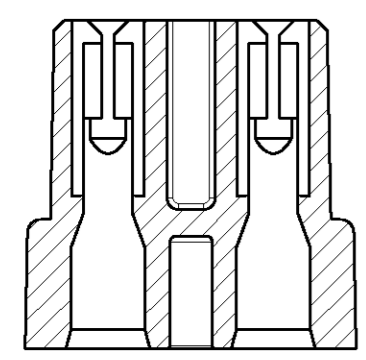
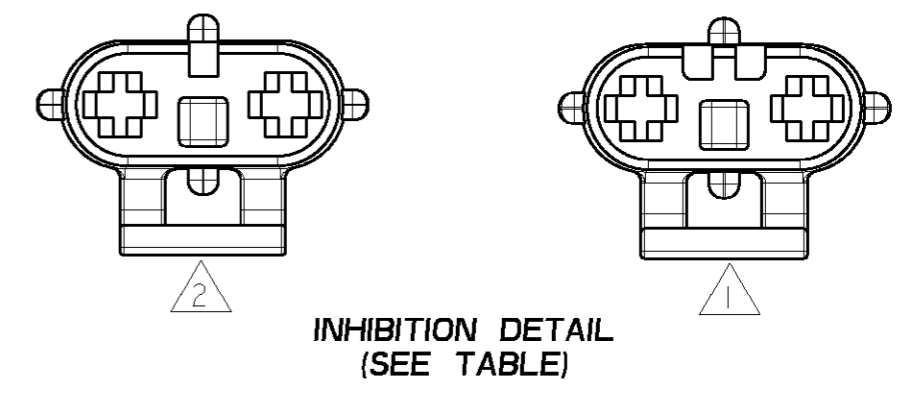
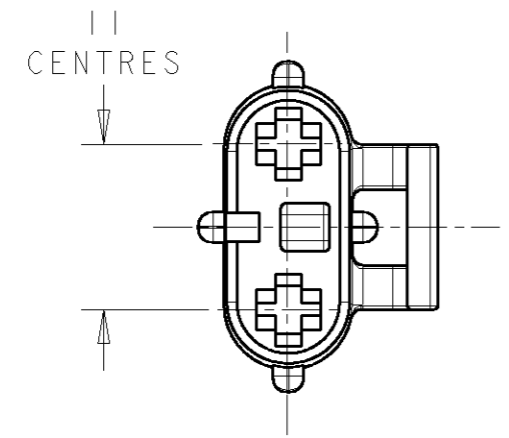
3

2

1

© COPYRIGHT 1997 BY AMP INCORPORATED. ALL RIGHTS RESERVED.

LOC	REVISIONS					
	P	LTR	DESCRIPTION	DATE	DWN	APVD
E	1		PRELIMINARY ISSUE	23.4.98	GL	RS
	3		EB00-0293-99	2.6.99	EAS	MJW
	0		EB00-0229-01	22/6/01	RL	BB



△2	NATURAL	2 POS. HSG.	PA46	699707-4
△2	BROWN	2 POS. HSG.	PA46	699707-3
△2	WHITE	2 POS. HSG.	PA66	699707-2
△1	BLACK	2 POS. HSG.	PA66	699707-1
INHIBITION	COLOUR	DESCRIPTION	MATERIAL	PART NUMBER

THIS DRAWING IS A CONTROLLED DOCUMENT FOR AMP INCORPORATED. IT IS SUBJECT TO CHANGE AND THE CONTROLLING ENGINEERING ORGANIZATION SHOULD BE CONTACTED FOR THE LATEST REVISION.		DWN G LANGRIDGE 23-Apr-98	 AMP of Great Britain Ltd, Stanmore, Middlesex, HA7 4RS.
DIMENSIONS IN m.m	TOLERANCES UNLESS OTHERWISE SPECIFIED: LINEAR: - ±0.5 ANGULAR: - ±1°	CHK R SIMMONS 23.4.98 APVD R SIMMONS 23.4.98	
THIRD ANGLE PROJECTION	MATERIAL SEE TABLE	FINISH -	NAME 2 POS. RECEPTACLE HOUSING
		PRODUCT SPEC -	SIZE A3
		APPLICATION SPEC -	CAGE CODE 00779
		WEIGHT -	DRAWING NO C-699707
		CUSTOMER DRAWING FOR REFERENCE ONLY	SCALE 2:1
			SHEET 1
			OF 1
			REV 0