

6

5

4

3

2

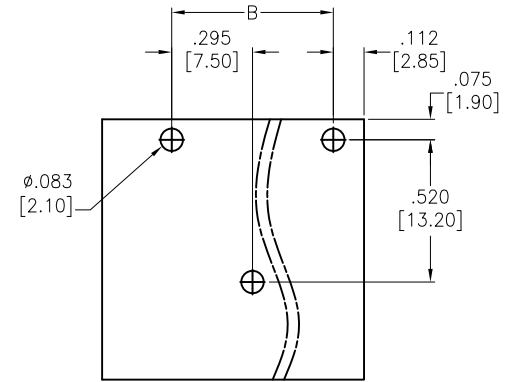
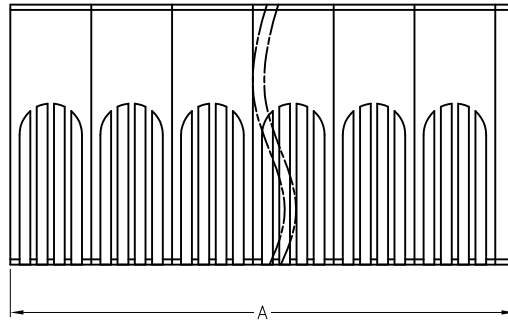
1

APPROVED: \_\_\_\_\_  
 DATE: \_\_\_\_\_ TITLE: \_\_\_\_\_

Rev	AWO #	Description	Date	Appr
-		RELEASED	11/26/18	

D

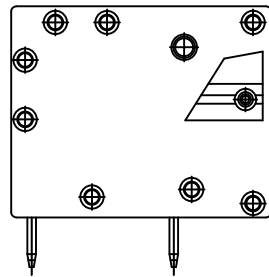
D



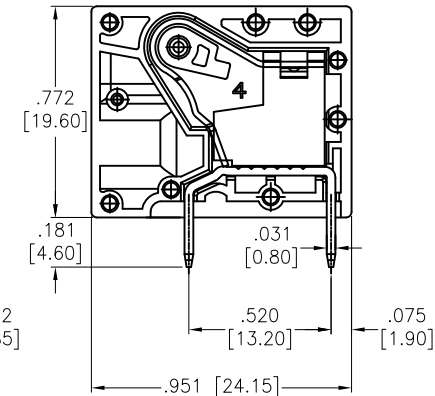
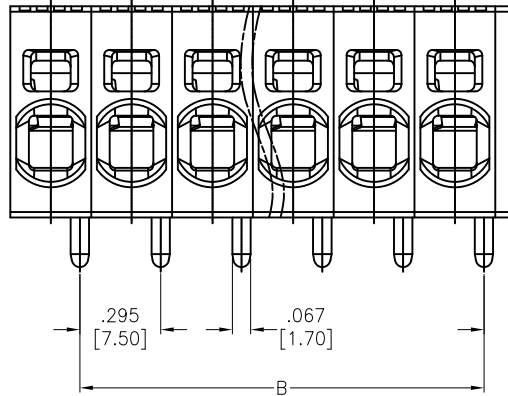
RECOMMENDED PCB LAYOUT

C

C



01P 02P 03P 04P ..... xxP



WITHOUT COVER

B

B

**SPECIFICATIONS:**

Material:  
 Insulator: PA, rated UL 94V-0  
 Insulator color: Green  
 Contact: Copper Alloy  
 Electrical:  
 Voltage rating: 600 V  
 Current rating: 40 A  
 Dielectric withstanding voltage: 2,200 VAC for 1 minute  
 Mechanical:  
 Strip length: 15~16mm  
 Wire Range: 24~8 AWG  
 Temperature Rating:  
 Operating temperature: -40°C to +105°C  
 Environmental:  
 Lead free, RoHS compliant.

Poles: 01 thru XXP

A = .295 [7.50] X No. of Positions +.071 [1.80]

B = .295 [7.50] X No. of Spaces

A

A



UNLESS OTHERWISE SPECIFIED ALL DIMENSIONS ARE INCHES [MM] TOLERANCES: EXCEPT AS NOTED INCHES HOLES .X ± .10 Ø.X ± .10 .XX ± .020 Ø.XX ± .015 .XXX ± .015 Ø.XXX ± .010		<b>ADAM TECH</b> INTERCONNECTS		909 Rahway Avenue, Union, NJ 07083 Phone: 908-687-5000 Fax: 908-687-5710	
APPROVALS		DATE		TITLE	
DRAWN	AY	11/26/18		SPRING CLAMP EURO BLOCK, .295 [7.50] PITCH	
CHECKED	AC	11/26/18		SIZE	PART NO.
APPROVED				X	EB167A-XX-M
REF: S00067C		SCALE: NTS	SHEET 1 OF 1		

6

5

4

3

2

1