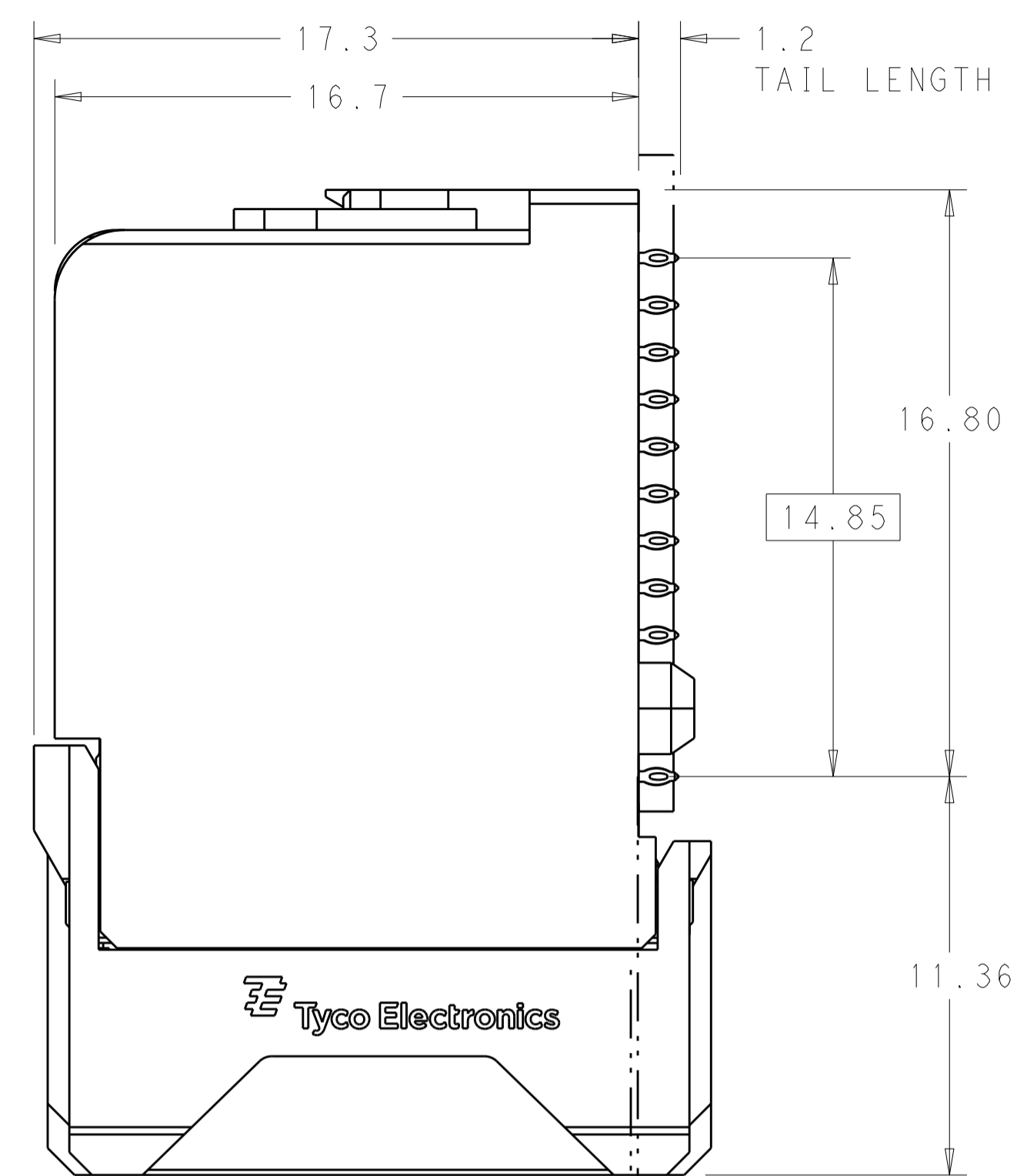
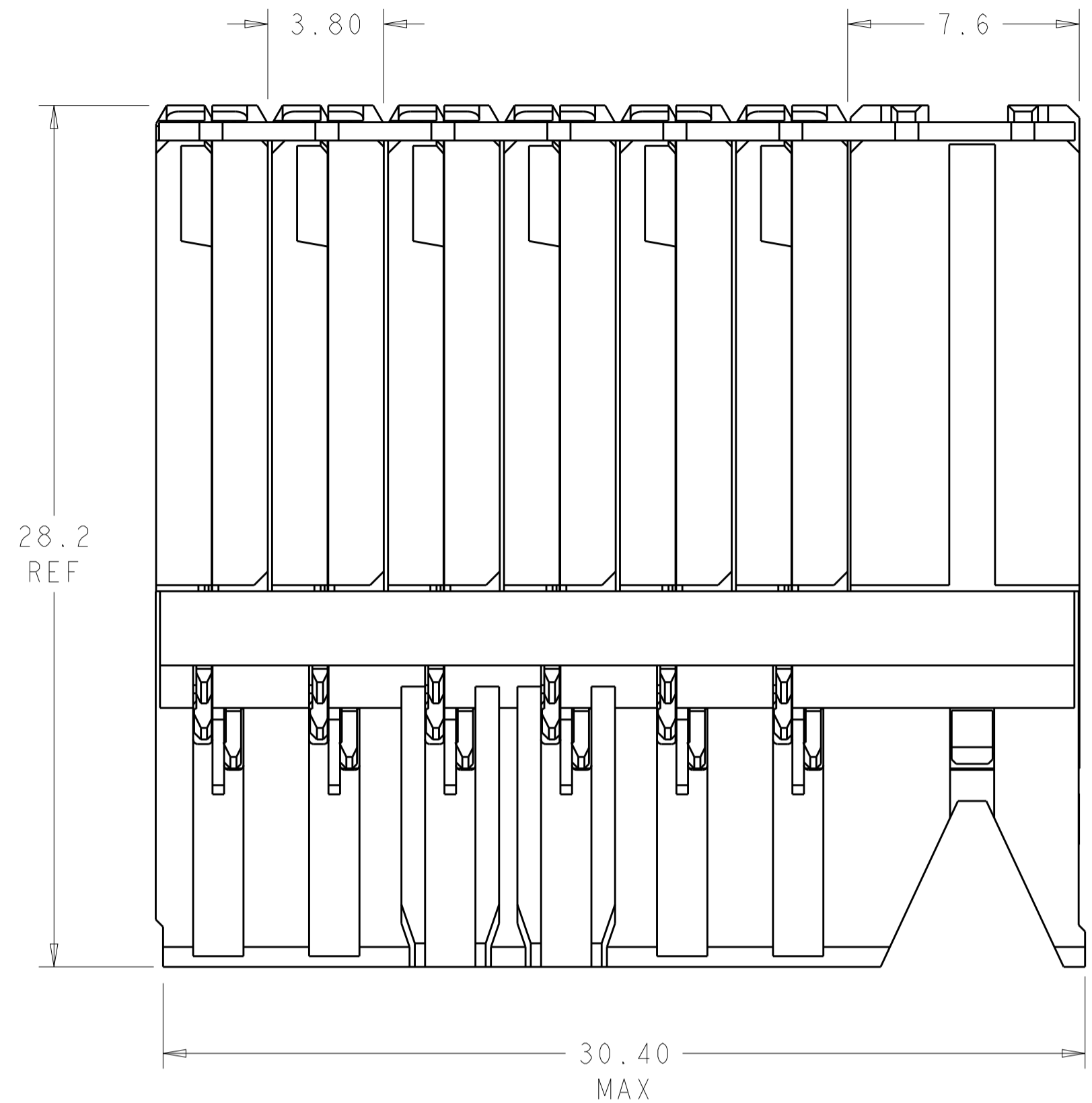


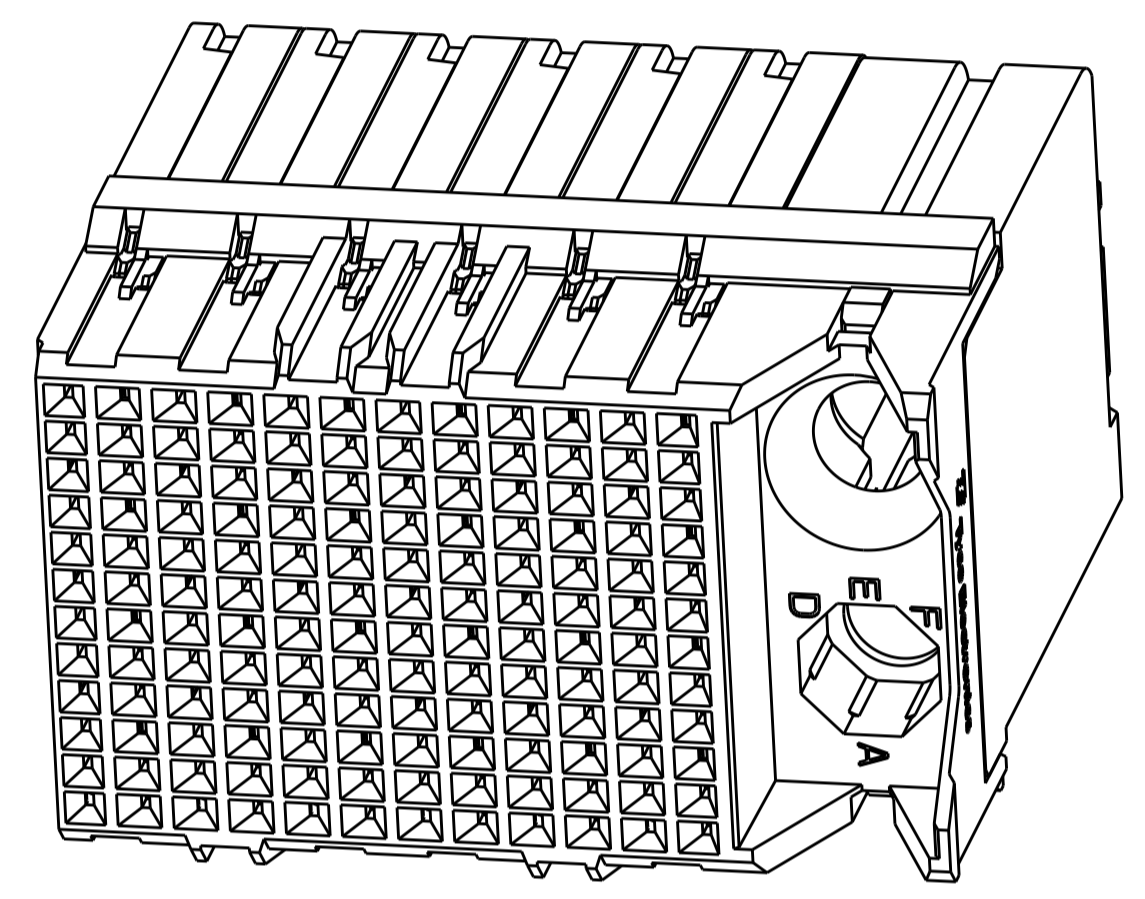
REVISIONS				
P.	LTN	DESCRIPTION	DATE	OWN APVD
B1		REVISED PER ECO-14-018036	17FEB2015	AP DD



⚠ MATERIAL:  
 HOUSING: LCP, GLASS FILLED, UL94V-0.  
 TERMINALS: HIGH PERFORMANCE COPPER ALLOY.

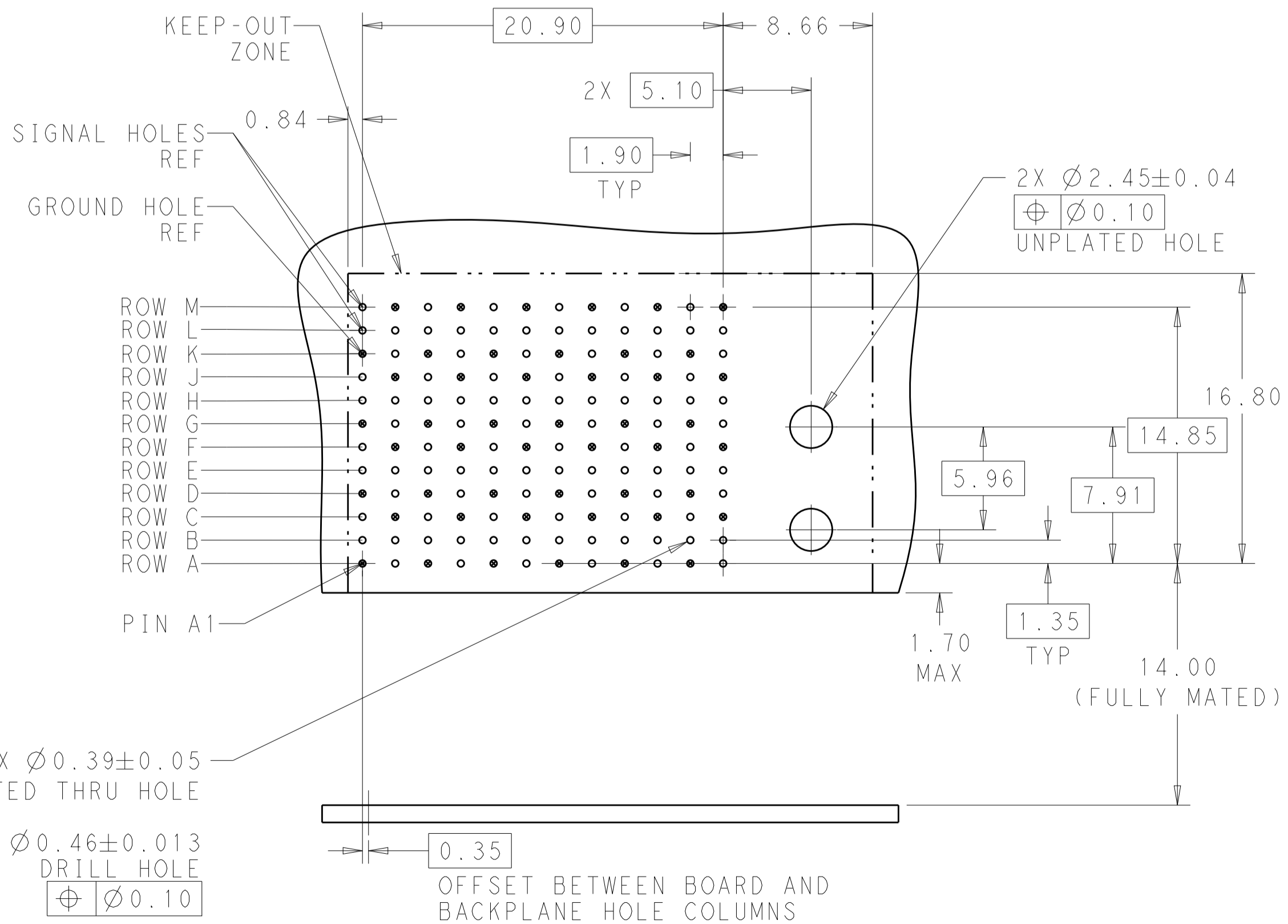
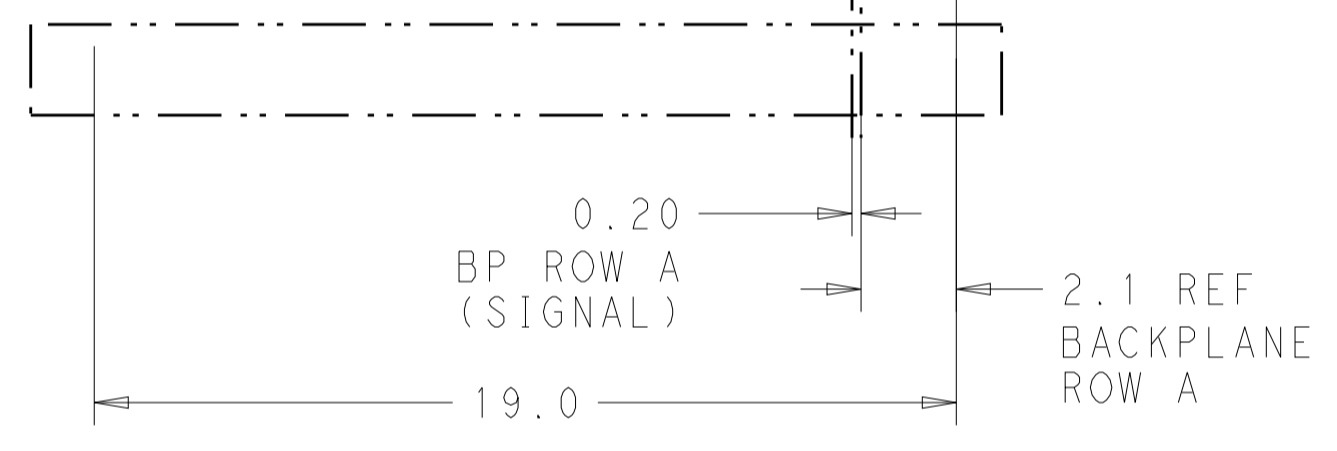
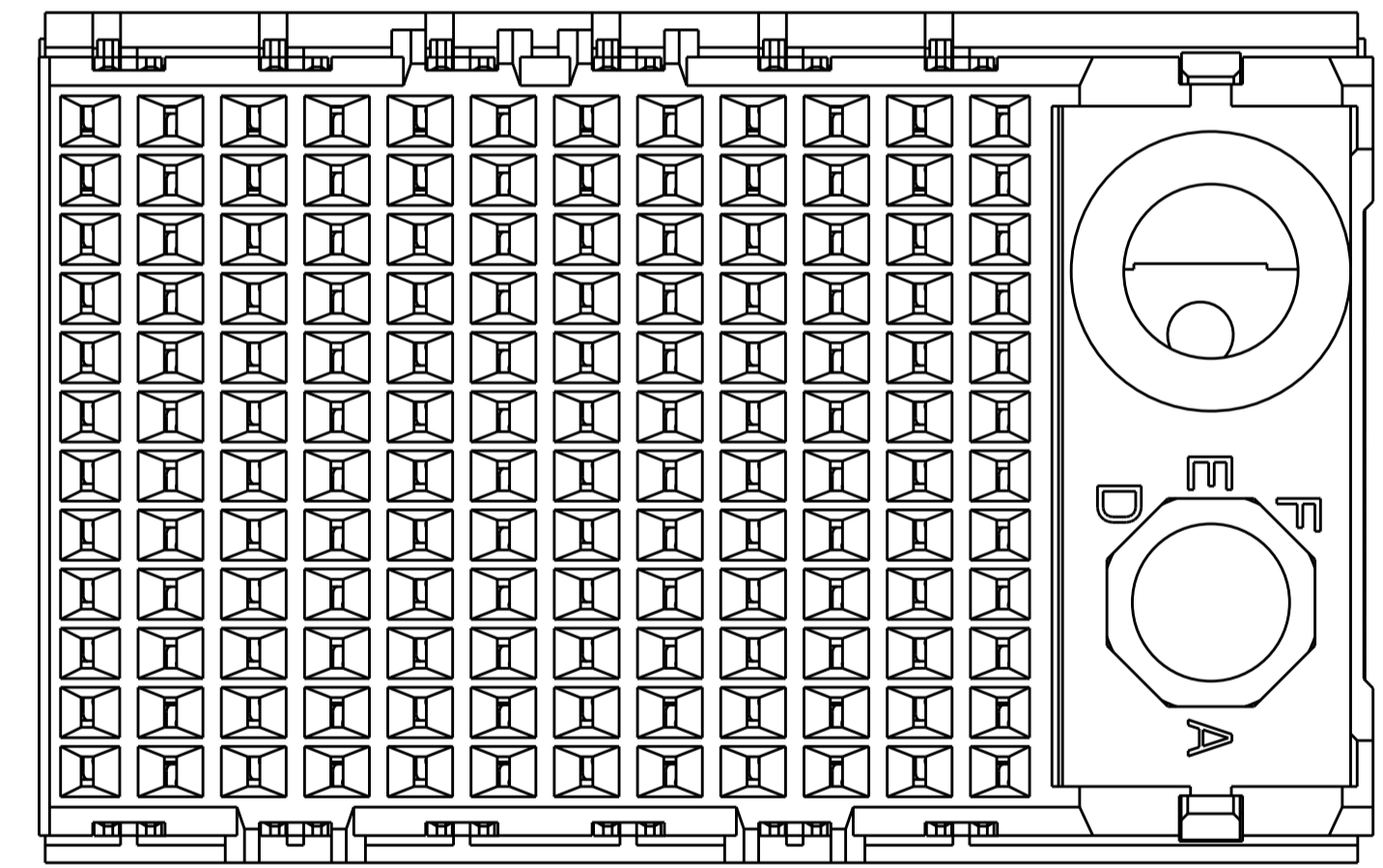
⚠ FINISH:  
 30µ" SELECTIVE GOLD IN CONTACT AREA. SELECTIVE TIN ON PCB TAILS, NICKEL OVERALL.

3. CONNECTORS SUPPLIED WITH MOUNTING SCREWS.



SCALE 4:1

REFER TO WWW.TE.COM FOR PRODUCT AVAILABILITY



KEY POSITION CHART	
	NONE
	A
	B
	C
	D
	E
	F
	G
	H

H	⚠	8-2057960-1
G	⚠	7-2057960-1
F	⚠	6-2057960-1
E	⚠	5-2057960-1
D	⚠	4-2057960-1
C	⚠	3-2057960-1
B	⚠	2-2057960-1
A	⚠	1-2057960-1
NONE	⚠	2057960-1
KEY POSITION	FINISH	PART NUMBER

THIS DRAWING IS A CONTROLLED DOCUMENT. OWN: R. GRZYBOWSKI 11JAN2012  
 CHK: D. DIXON 11JAN2012  
 APVD: D. DIXON 11JAN2012

TE Connectivity

NAME: IMPACT, 4 PAIR, DAUGHTERCARD  
 PRODUCT SPEC: 12 COLUMN, RIGHT GUIDED, SIGNAL  
 APPLICATION SPEC: MODULE, 0.39 EYELET

SIZE: A1 CAGE CODE: 2057960 DRAWING NO: 100779C=2057960  
 WEIGHT: - RESTRICTED TO: -  
 MATERIAL: - FINISH: SEE TABLE  
 CUSTOMER DRAWING SCALE: 6:1 SHEET: 1 OF 1 REV: B1