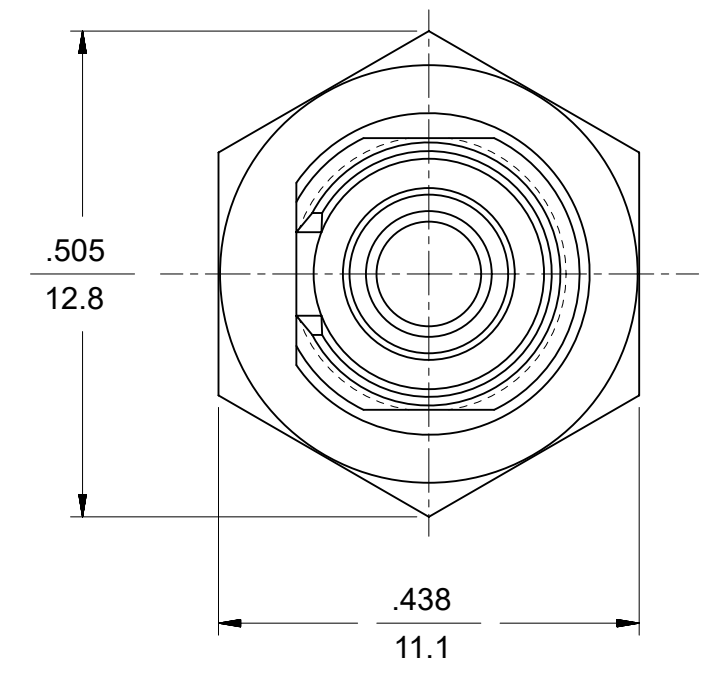
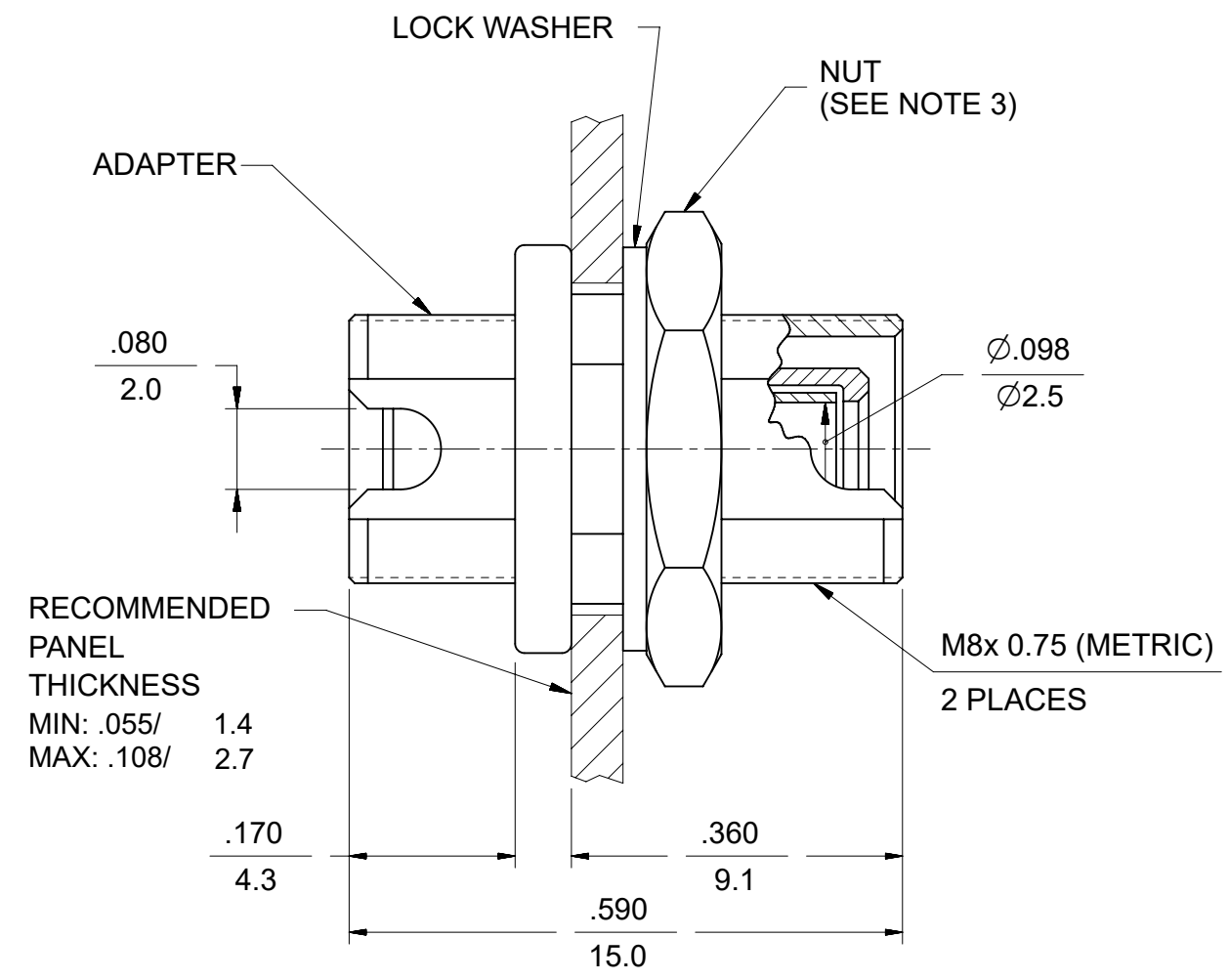
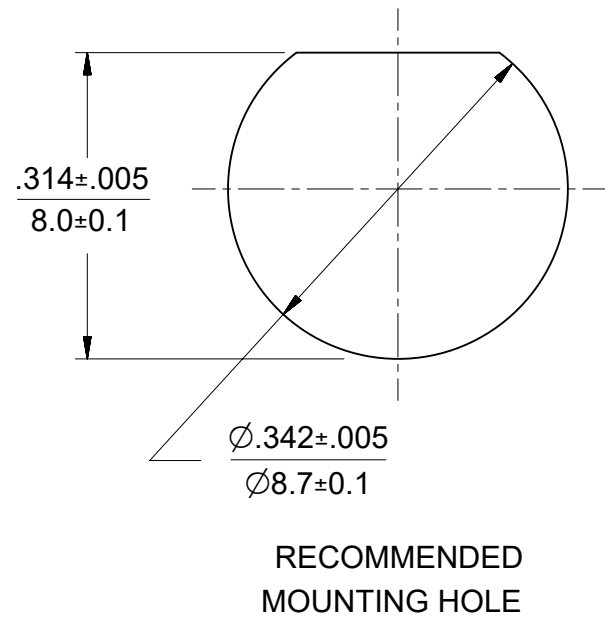


10	9
P/N OF ADAPTER	MATERIAL OF SLEEVE
106152-3000	CERAMIC



NOTES:

- FOR PANEL THICKNESS .080 TO .108, ELIMINATE LOCK WASHER.
- DUST CAPS ARE NOT SHOWN, BUT INCLUDED.
- TIGHTEN THE NUT TO 23 N-cm (2 lb-in)

THIS DRAWING CONTAINS INFORMATION THAT IS PROPRIETARY TO MOLEX ELECTRONIC TECHNOLOGIES, LLC AND SHOULD NOT BE USED WITHOUT WRITTEN PERMISSION											
DIMENSION UNITS <b>IN/MM</b>		SCALE <b>5:1</b>		CURRENT REV DESC: OBSOLETE PART NUMBER AS PER PCN 508518				<b>molex</b>		FC ADAPTER ("D" HOLE, TIGHT FIT KEY)	
GENERAL TOLERANCES (UNLESS SPECIFIED)				EC NO: 652962							
				DRWN: JHUANG18 2021/01/13				PRODUCT CUSTOMER DRAWING		DOCUMENT NUMBER <b>SD-10615X-3000</b>	
				CHK'D: WCHEN 2021/08/24							
				APPR: WCHEN 2021/08/24				INITIAL REVISION: 2005/10/25		DOC TYPE DOC PART REVISION PSD 001 B	
				DRWN: PGIBLIN							
				APPR:				MATERIAL NUMBER SEE TABLE		CUSTOMER GENERAL MARKET	
ANGULAR TOL ± 0.5°				THIRD ANGLE PROJECTION							
DRAFT WHERE APPLICABLE MUST REMAIN WITHIN DIMENSIONS				DRAWING B-SIZE		SERIES 106152					

DOCUMENT STATUS	P1	RELEASE DATE	2021/08/24	01:00:26
-----------------	----	--------------	------------	----------