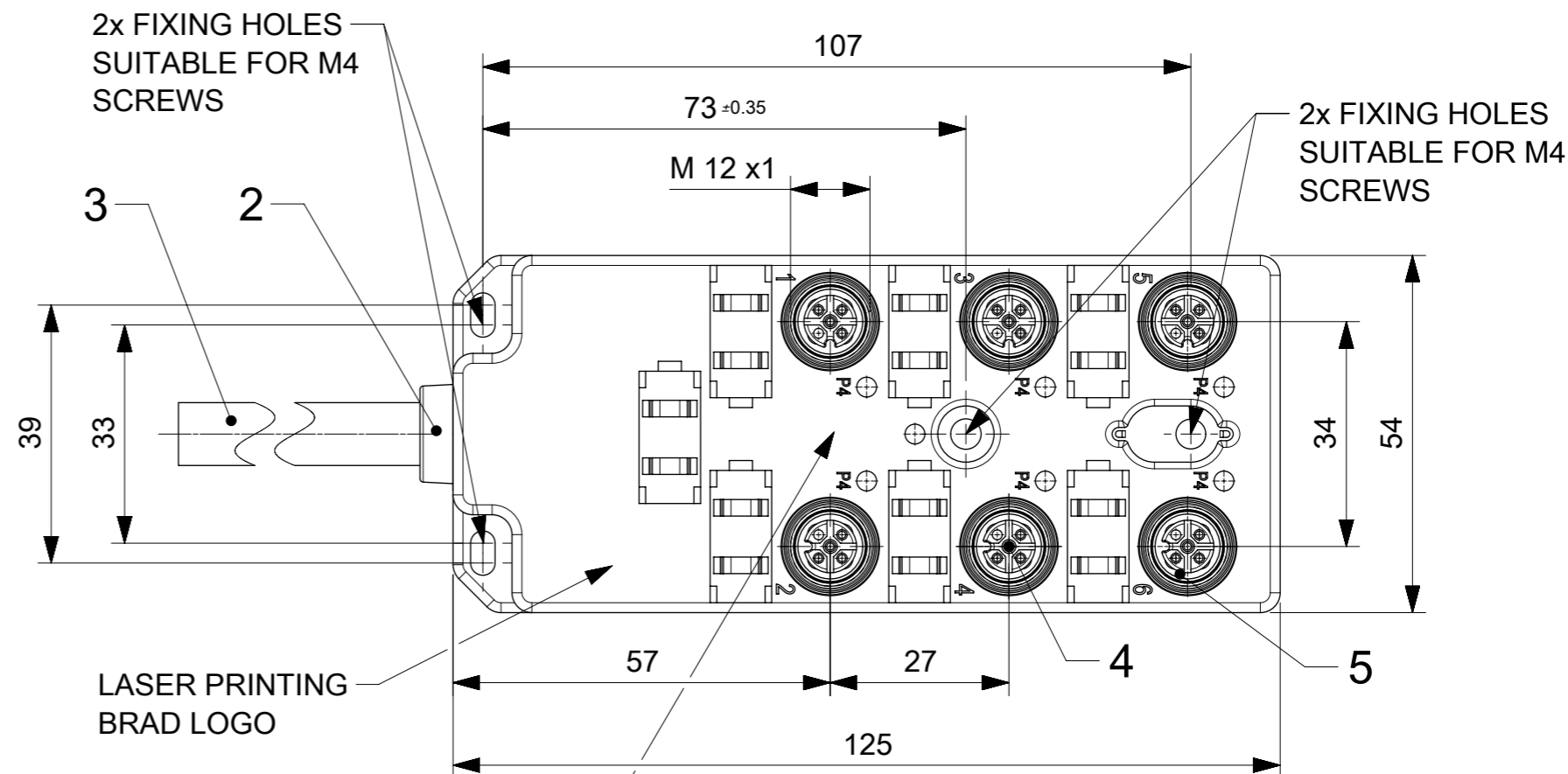
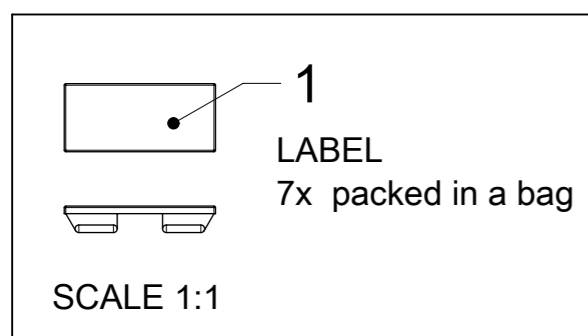


TABLE 1

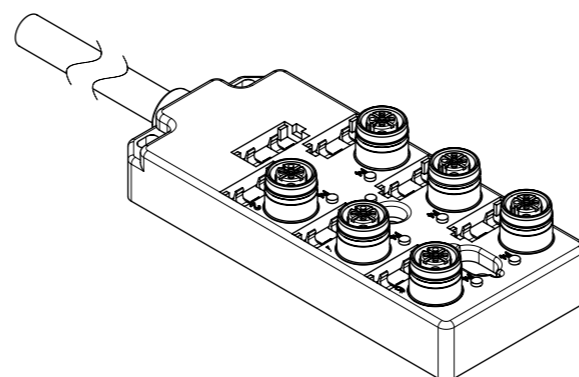
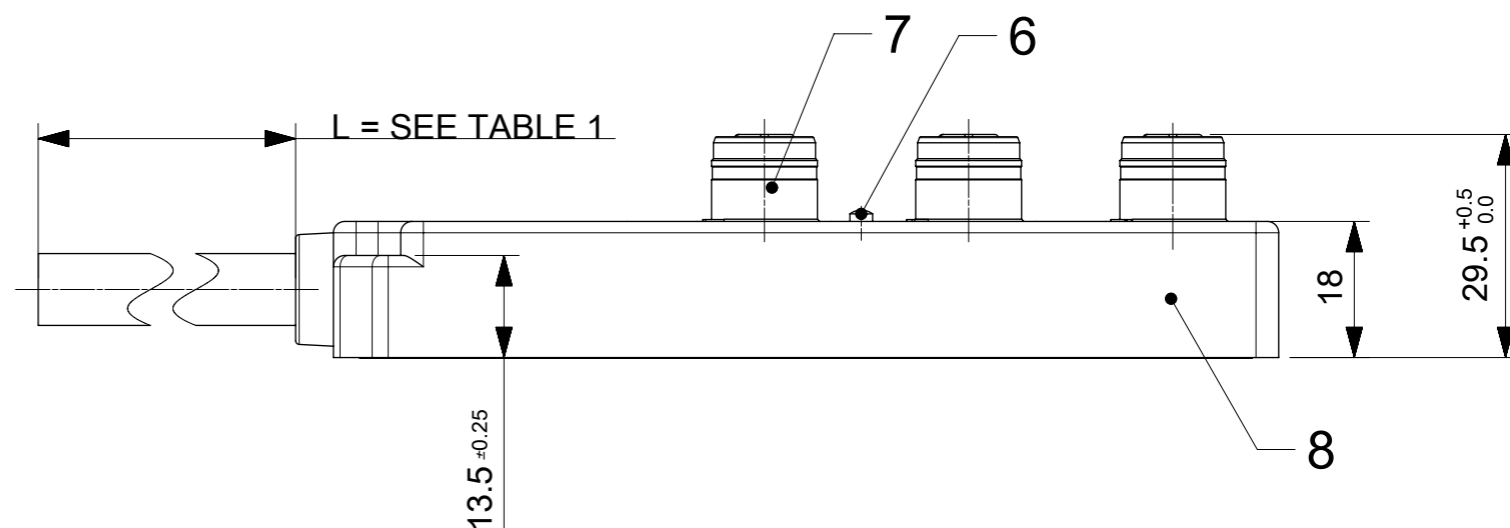
MOLEX P/N	ENG. NO.	CABLE LENGTH (mm)	LED
1202510010	BKB6000-FBW-05	5000	NO
1202510011	BKB6000-FBW-10	10000	NO
1202510012	BKB6000-FBW-15	15000	NO
1202510013	BKB600P-FBW-05	5000	YES
1202510014	BKB600P-FBW-10	10000	YES
1202510015	BKB600P-FBW-15	15000	YES
1202510016	BKB600N-FBW-05	5000	YES
1202510017	BKB600N-FBW-10	10000	YES
1202510018	BKB600N-FBW-15	15000	YES

TABLE 2 BILL OF MATERIAL

ITEM	DESCRIPTION	MATERIAL	FINISH
1	LABEL	ABS	WHITE
2	CABLE PLATE	PBT	BLACK
3	CABLE	TPU BASED	BLACK
4	CONTACT	BRONZE	GOLD OVER NICKEL
5	O-RING	FPM	RED
6	LED	NO LED = PA	BLACK
		WITH LED = PA	TRANSPARENT
7	SHELL	BRASS	NICKEL PLATED
8	HOUSING	PBT	BLACK



LASER PRINTING:
 PN: 120251XXXX
 ENG.: BKB600X-FBW-XX
 PO: XXXXXXXXXX



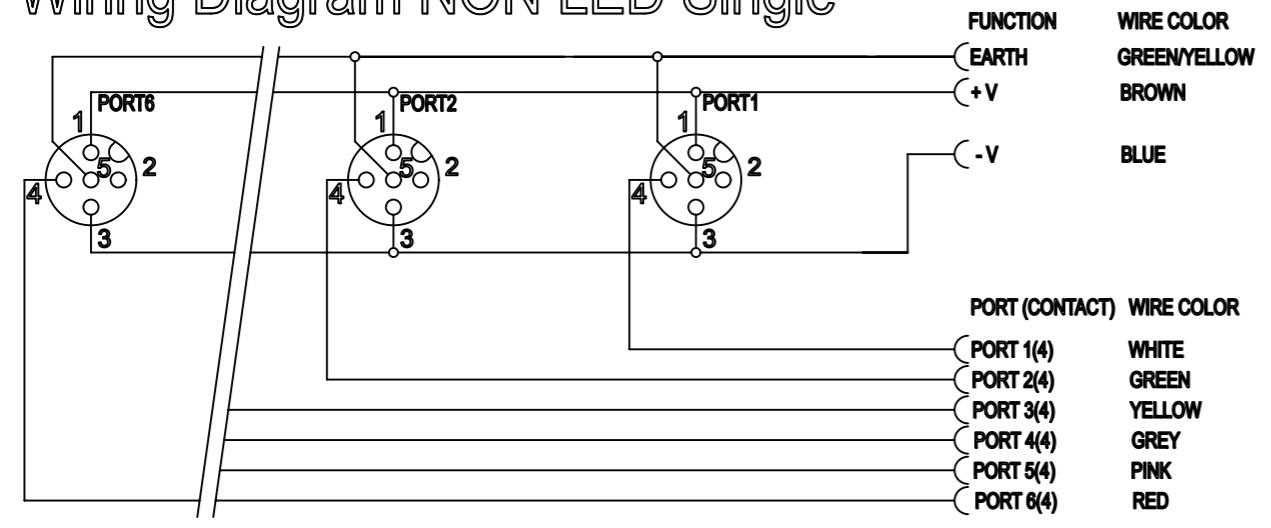
GENERAL CHARACTERISTICS:

ELECTRICAL AND MECHANICAL DATA ACC. TO IEC 61076-2-101

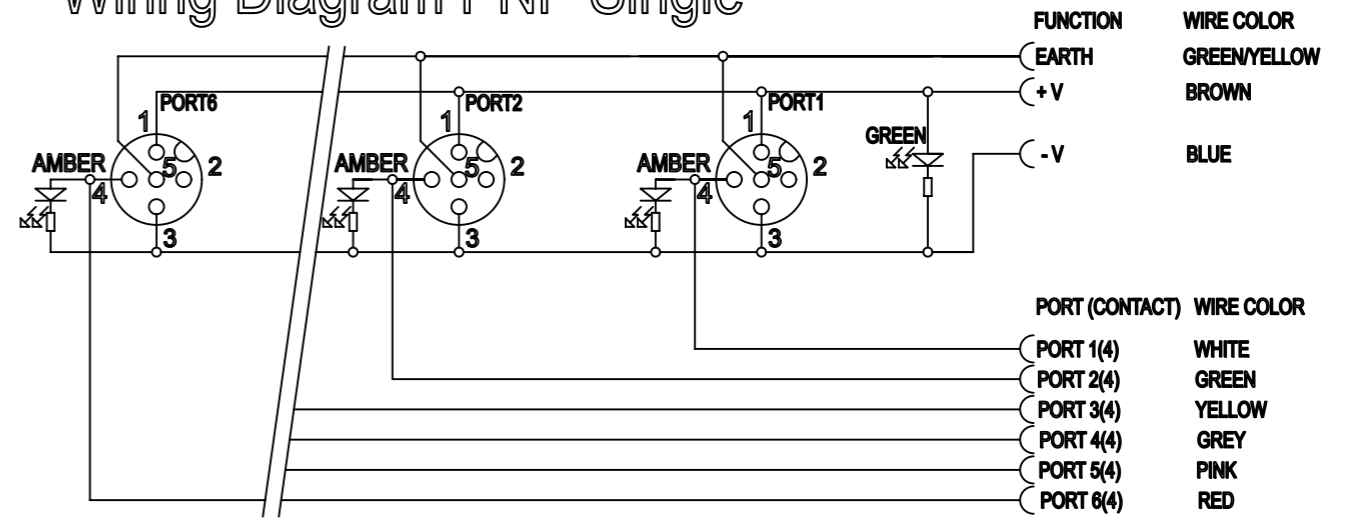
NOMINAL VOLTAGE: 10-30 V DC
 AMPERE RATING: 4 A PER PORT / 12 A MAX
 AMPERE RATING WITH UL REGISTRATION: 3 A PER PORT / 9 A MAX
 IP DEGREE OF PROTECTION: IP 67
 TEMPERATURE RANGE: -25°C to + 85°C

SYMBOLS		THIS DRAWING CONTAINS INFORMATION THAT IS PROPRIETARY TO MOLEX ELECTRONIC TECHNOLOGIES, LLC AND SHOULD NOT BE USED WITHOUT WRITTEN PERMISSION	
DIMENSION UNITS	SCALE	CURRENT REV DESC: INITIAL RELEASE	
mm	1:1	molex MPIS U12 NON PNP NPN 4P 6PT BK XM SINGLE	
GENERAL TOLERANCES (UNLESS SPECIFIED)			
ANGULAR TOL	± 1.0°	EC NO: 631635 DRWN: MDHARMANTI 2020/01/27 CHK'D: RSILLER 2020/02/05 APPR: RSILLER 2020/02/05	
4 PLACES	±	INITIAL REVISION:	
3 PLACES	±	DRWN: SSM 2018/11/29	
2 PLACES	± 0.05	APPR: RSILLER 2020/01/17	
1 PLACE	± 0.3	DOCUMENT NUMBER	
0 PLACES	± 0.5	1202510010	
DRAFT WHERE APPLICABLE MUST REMAIN WITHIN DIMENSIONS		THIRD ANGLE PROJECTION	DOC TYPE DOC PART REVISION
		A3-SIZE	PSD 000 A1
		SERIES	MATERIAL NUMBER
		120251	SEE TABLE 1
		DRAWING	CUSTOMER
		GENERAL MARKET	SHEET NUMBER
		1 OF 2	

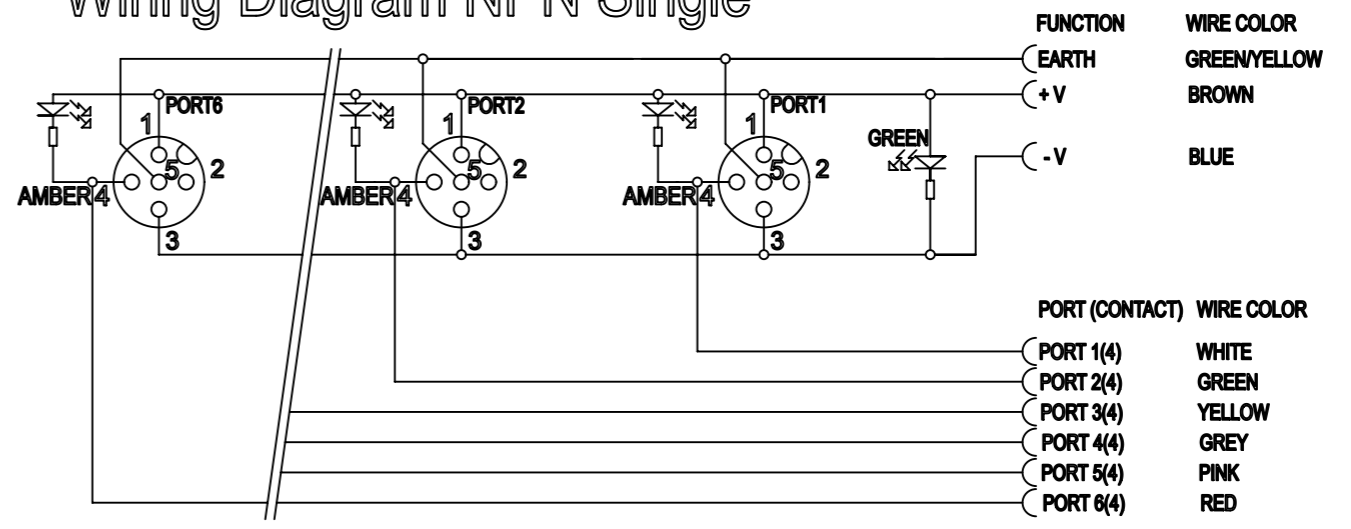
Wiring Diagram NON LED Single



Wiring Diagram PNP Single



Wiring Diagram NPN Single



CABLE LENGTH TOLERANCES

LENGTH [m]	TOLERANCE [mm]
0-1	+40
>1-5	+60
>5-10	+80
>10-20	+140
>20-30	+160
>30	+1% length

SYMBOLS DIMENSION UNITS: mm SCALE: 1:1 GENERAL TOLERANCES (UNLESS SPECIFIED): ANGULAR TOL ± 1.0° 4 PLACES ± 3 PLACES ± 2 PLACES ± 0.05 1 PLACE ± 0.3 0 PLACES ± 0.5 DRAFT WHERE APPLICABLE MUST REMAIN WITHIN DIMENSIONS THIRD ANGLE PROJECTION	THIS DRAWING CONTAINS INFORMATION THAT IS PROPRIETARY TO MOLEX ELECTRONIC TECHNOLOGIES, LLC AND SHOULD NOT BE USED WITHOUT WRITTEN PERMISSION		CURRENT REV DESC: INITIAL RELEASE		
	EC NO: 631635 DRWN: MDHARMANTI 2020/01/27 CHK'D: RSILLER 2020/02/05 APPR: RSILLER 2020/02/05		PRODUCT CUSTOMER DRAWING		
	INITIAL REVISION: DRWN: SSM 2018/11/29 APPR: RSILLER 2020/01/17		DOCUMENT NUMBER: 1202510010	DOC TYPE: PSD DOC PART: 000 REVISION: A1	
	MATERIAL NUMBER: SEE TABLE 1	CUSTOMER: GENERAL MARKET	SHEET NUMBER: 2 OF 2		