

**Specification Status: RELEASED**

**Electrical Rating**

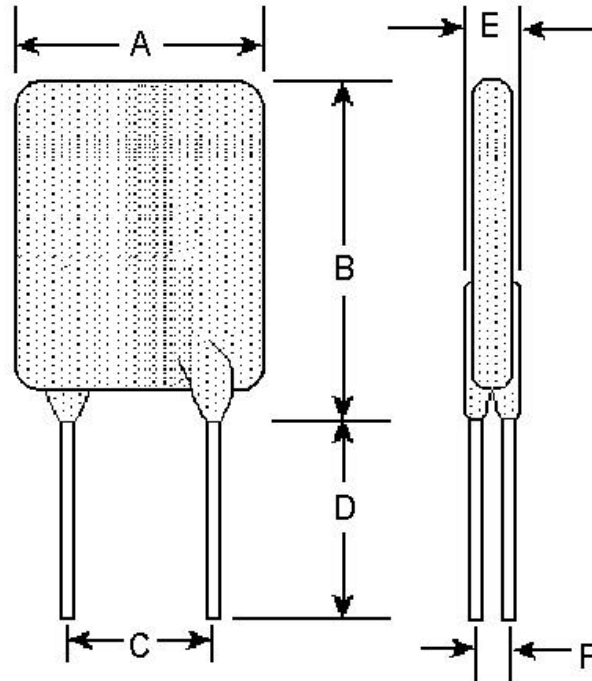
**Voltage: 16V MAX**  
**Current: 100A MAX**

Insulating Material:  
 Cured, Flame Retarded Epoxy Polymer  
 meets UL94 V-0 Requirements

Lead Material:  
 18 AWG Tin/Lead Plated Copper  
 (1.0mm [0.040] nom. diameter)

**Marking:**

- Raychem Logo and Voltage
- XX 16 — Part Identification
- G1 2 0 0 — Lot Identification (can be on back)
- □ □ □ — Lot Identification (can be on back)



**TABLE I. DIMENSIONS:**

	A		B		C		D		E		F
	MIN	MAX	MIN	MAX	MIN	MAX	MIN	MAX	MIN	MAX	TYP
mm:	16.4	17.5	22.6	28.0	9.4	10.9	7.6	-	2.3	3.5	1.4
in*:	(0.65)	(0.69)	(0.89)	(1.10)	(0.37)	(0.43)	(0.30)	-	(0.09)	(0.14)	(0.06)

\*Rounded off approximation

**TABLE II. PERFORMANCE RATINGS:**

I HOLD	CURRENT RATINGS		TIME TO TRIP	RESISTANCE		TRIPPED-STATE POWER DISSIPATION
	AMPS 25°C HOLD	AMPS AT 25°C TRIP	SECONDS AT 25°C, 60 A MAX	OHMS AT 25°C MIN	OHMS AT 25°C MAX	WATTS AT 25°C, 16V TYP
12.0	12.0	20.4	7.5	0.0033	0.0086	4.2

Recognition: UL, CSA, TUV approved.  
 Reference Documents: PS300  
 Precedence: This specification takes precedence over documents referenced herein.  
 Effectivity: Reference documents shall be the issue in effect on the date of invitation for bid.  
 CAUTION: Operation beyond the rated voltage or current may result in rupture, electrical arcing or flame.