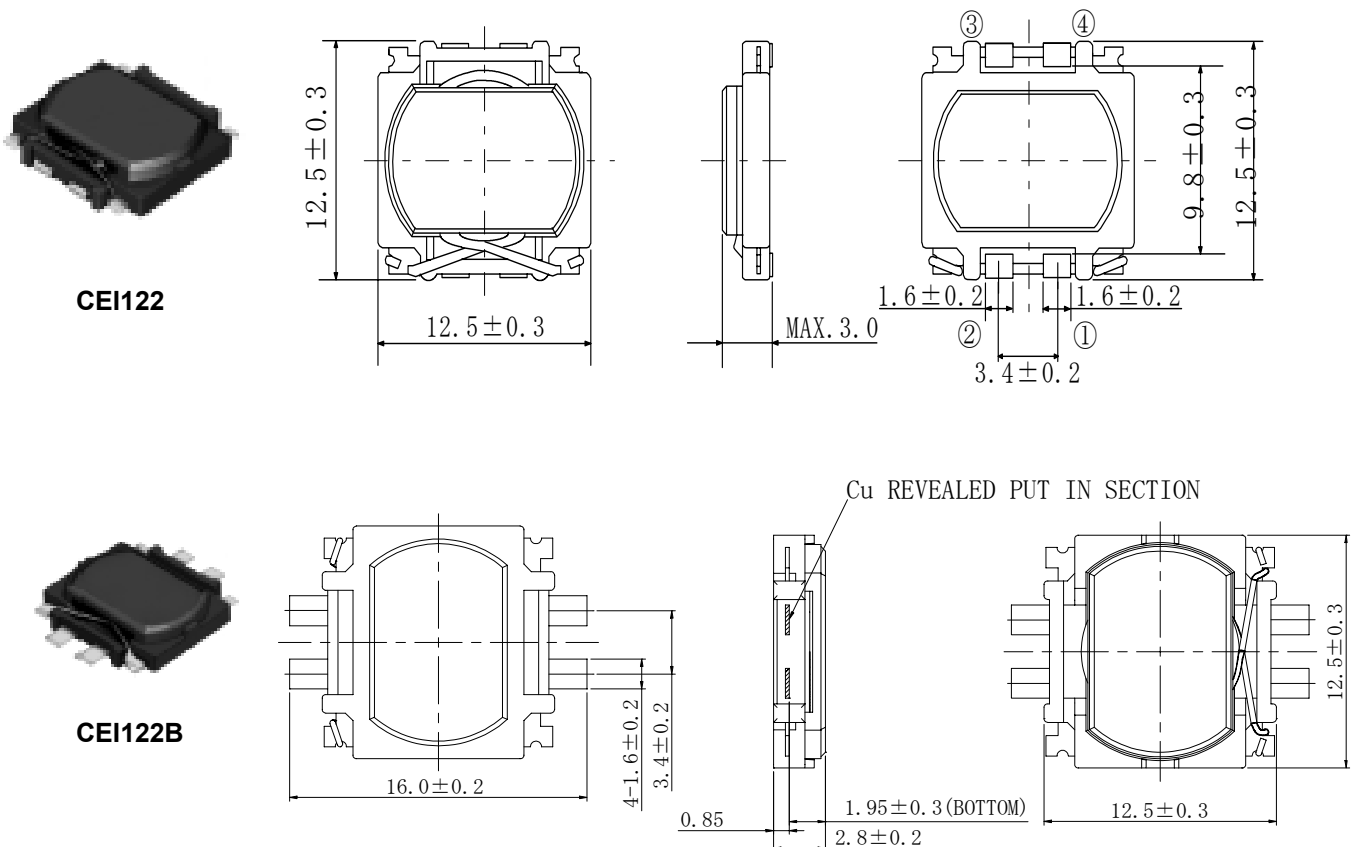


**Type: CEI122 , CEI122B**
**◆ Product Description**

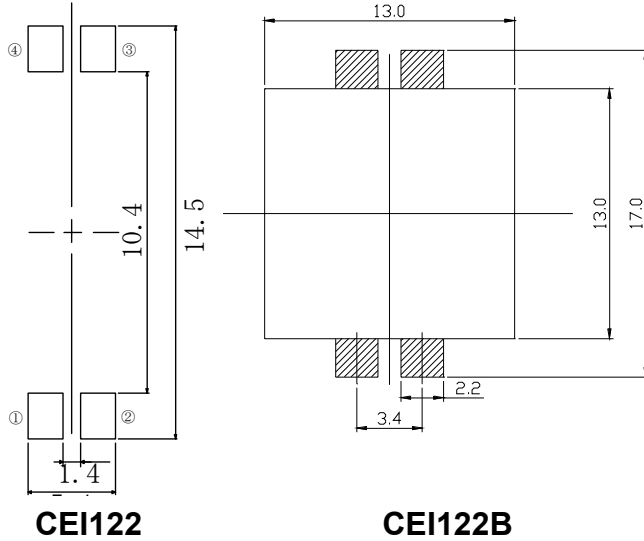
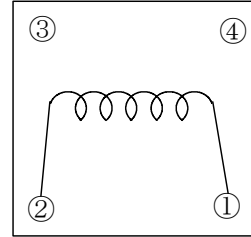
- 12.8×12.8mm Max.(L×W), 3.0mm Max. Height.
- Both standard specification and high power specification are available.
- Inductance Range: 1.2~22 μ H(Standard ); 0.7~15 μ H(High Power).
  - Inductance range : 0.68~6.1 μ H(Standard type ); 0.56~5.0 μ H (High Power type).
- Saturation Current range: 2.3~10.7A(Standard type ) ;3.6~17.0A (High Power type).
- Temperature rise current range: 2.3~6.6A(CEI122); 2.0~5.9A(CEI122B);
- In addition to the standards versions shown here, custom inductors are also available to meet your exact requirements.

**◆ Feature**

- Super high current inductors, Low DCR.
- Mn-Zn core used.
- Ideally used in Notebook PC CPU power supply.
- RoHS Compliance

**◆ Dimensions (mm)**


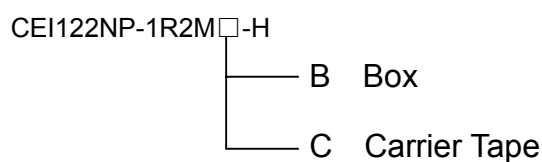
Please refer to the sales offices on our website for a representative near you

**Type: CEI122 , CEI122B**
**◆ Land Pattern (mm)**

**◆ Schematics (Bottom)**

**◆ Specification(CEI122)**
**1.Standard Specification**

Part Name ※	Stamp	Inductance [Within] 100kHz	D.C.R.(mΩ) Max.(Typ.) (at 20℃)	Saturation Current (A) ※1		Temperature Rise current (A) ※2
				(at 20℃)	(at 100℃)	
CEI122NP-1R2M□	1R2M	1.2 μH ±20%	10.7(8.9)	10.7	8.6	6.6
CEI122NP-2R1M□	2R1M	2.1 μH ±20%	14.0(11.6)	8.0	6.2	5.8
CEI122NP-3R3M□	3R3M	3.3 μH ±20%	17.8(14.8)	6.2	5.2	5.2
CEI122NP-4R6M□	4R6M	4.6 μH ±20%	21.6(18.0)	5.0	3.9	4.7
CEI122NP-6R4M□	6R4M	6.4 μH ±20%	26.4(22.0)	4.3	3.7	4.2
CEI122NP-8R2M□	8R2M	8.2 μH ±20%	30.0(25.0)	3.8	3.2	4.0
CEI122NP-100M□	100M	10.0 μH ±20%	34.2(28.5)	3.4	2.8	3.8
CEI122NP-130M□	130M	13.0 μH ±20%	38.4(32.0)	2.9	2.5	3.5
CEI122NP-150M□	150M	15.0 μH ±20%	67.5(56.2)	2.7	2.4	2.5
CEI122NP-190M□	190M	19.0 μH ±20%	74.5(62.0)	2.5	2.1	2.4
CEI122NP-220M□	220M	22.0 μH ±20%	85.0(71.0)	2.3	2.0	2.3

**Type: CEI122 , CEI122B**
**2.High Power Specification**

Part Name ※	Stamp	Inductance [Within] 100kHz	D.C.R.(mΩ) Max.(Typ.) (at 20°C)	Saturation Current (A) ※1		Temperature Rise current (A) ※2
				(at 20°C)	(at 100°C)	
CEI122NP-ØR7M□-H	0R7MH	0.7 μ H±20%	10.7(8.9)	17.0	13.5	6.6
CEI122NP-1R2M□-H	1R2MH	1.2 μ H±20%	14.0(11.6)	12.8	10.4	5.8
CEI122NP-2RØM□-H	2R0MH	2.0 μ H±20%	17.8(14.8)	10.2	8.2	5.2
CEI122NP-3RØM□-H	3R0MH	3.0 μ H±20%	21.6(18.0)	8.2	6.6	4.7
CEI122NP-4R2M□-H	4R2MH	4.2 μ H±20%	26.4(22.0)	6.9	5.6	4.2
CEI122NP-5R6M□-H	5R6MH	5.6 μ H±20%	30.0(25.0)	5.8	4.8	4.0
CEI122NP-7RØM□-H	7R0MH	7.0 μ H±20%	34.2(28.5)	5.2	4.2	3.8
CEI122NP-8R6M□-H	8R6MH	8.6 μ H±20%	38.4(32.0)	4.6	3.9	3.5
CEI122NP-1ØØM□-H	100MH	10.0 μ H±20%	67.5(56.2)	4.3	3.6	2.5
CEI122NP-12ØM□-H	120MH	12.0 μ H±20%	74.5(62.0)	4.0	3.4	2.4
CEI122NP-15ØM□-H	150MH	15.0 μ H±20%	85.0(71.0)	3.6	3.2	2.3

**※ Description of part name**


※1.Saturation Current: The DC current at which the inductance decreases to 75% of it's nominal value

※2 Temperature rise current:The DC current at which the temperature rise is Δt=40°C.(Ta=20°C)

**Type: CEI122, CEI122B**
**◆ Specification(CEI122B)**
**1.Standard Specification**

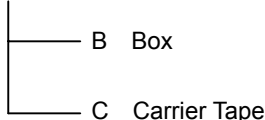
Part Name ※	Stamp	Inductance [Within] 100kHz	D.C.R.(mΩ) Max.(Typ.) (at 20°C)	Saturation Current (A) ※1		Temperature Rise current (A) ※2
				(at 20°C)	(at 100°C)	
CEI122BNP-1R2M□	1R2M	1.2 μH ± 20%	16.7(13.9)	10.7	8.6	5.9
CEI122BNP-2R1M□	2R1M	2.1 μH ± 20%	20.0(16.6)	8.0	6.2	5.1
CEI122BNP-3R3M□	3R3M	3.3 μH ± 20%	23.8(19.8)	6.2	5.2	4.7
CEI122BNP-4R6M□	4R6M	4.6 μH ± 20%	27.6(23.0)	5.0	3.9	4.2
CEI122BNP-6R4M□	6R4M	6.4 μH ± 20%	37.0(30.5)	4.3	3.7	4.0
CEI122BNP-8R2M□	8R2M	8.2 μH ± 20%	36.0(30.0)	3.8	3.2	3.6
CEI122BNP-100M□	100M	10.0 μH ± 20%	40.2(33.5)	3.4	2.8	3.4
CEI122BNP-130M□	130M	13.0 μH ± 20%	44.4(37.0)	2.9	2.5	3.2
CEI122BNP-150M□	150M	15.0 μH ± 20%	76.0(62.2)	2.7	2.4	2.2
CEI122BNP-190M□	190M	19.0 μH ± 20%	88.8(73.8)	2.5	2.1	2.1
CEI122BNP-220M□	220M	22.0 μH ± 20%	95.5(79.0)	2.3	2.0	2.0

**2.High Specification**

Part Name ※	Stamp	Inductance [Within] 100kHz	D.C.R.(mΩ) Max.(Typ.) (at 20°C)	Saturation Current (A) ※1		Temperature Rise current (A) ※2
				(at 20°C)	(at 100°C)	
CEI122BNP-0R7M□-H	0R7MH	0.7 μH ± 20%	16.7(13.9)	17.0	13.5	5.9
CEI122BNP-1R2M□-H	1R2MH	1.2 μH ± 20%	20.0(16.6)	12.8	10.4	5.1
CEI122BNP-2R0M□-H	2R0MH	2.0 μH ± 20%	23.8(19.8)	10.2	8.2	4.7
CEI122BNP-3R0M□-H	3R0MH	3.0 μH ± 20%	27.6(23.0)	8.2	6.6	4.2
CEI122BNP-4R2M□-H	4R2MH	4.2 μH ± 20%	37.0(30.5)	6.9	5.6	4.0
CEI122BNP-5R6M□-H	5R6MH	5.6 μH ± 20%	36.0(30.0)	5.8	4.8	3.6
CEI122BNP-7R0M□-H	7R0MH	7.0 μH ± 20%	40.2(33.5)	5.2	4.2	3.4
CEI122BNP-8R6M□-H	8R6MH	8.6 μH ± 20%	44.4(37.0)	4.6	3.9	3.2
CEI122BNP-100M□-H	100MH	10.0 μH ± 20%	76.0(62.2)	4.3	3.6	2.2
CEI122BNP-120M□-H	120MH	12.0 μH ± 20%	88.8(73.8)	3.4	3.5	2.1
CEI122BNP-150M□-H	150MH	15.0 μH ± 20%	95.5(79.0)	3.6	3.2	2.0

**※ Description of part name**

CEI122BNP-1R2M□-H



※1.Saturation Current: The DC current at which the inductance decreases to 75% of it's nominal value

 ※2 Temperature rise current:The DC current at which the temperature rise is Δt=40°C.(Ta=20°C)  
(Ta=20°C).