



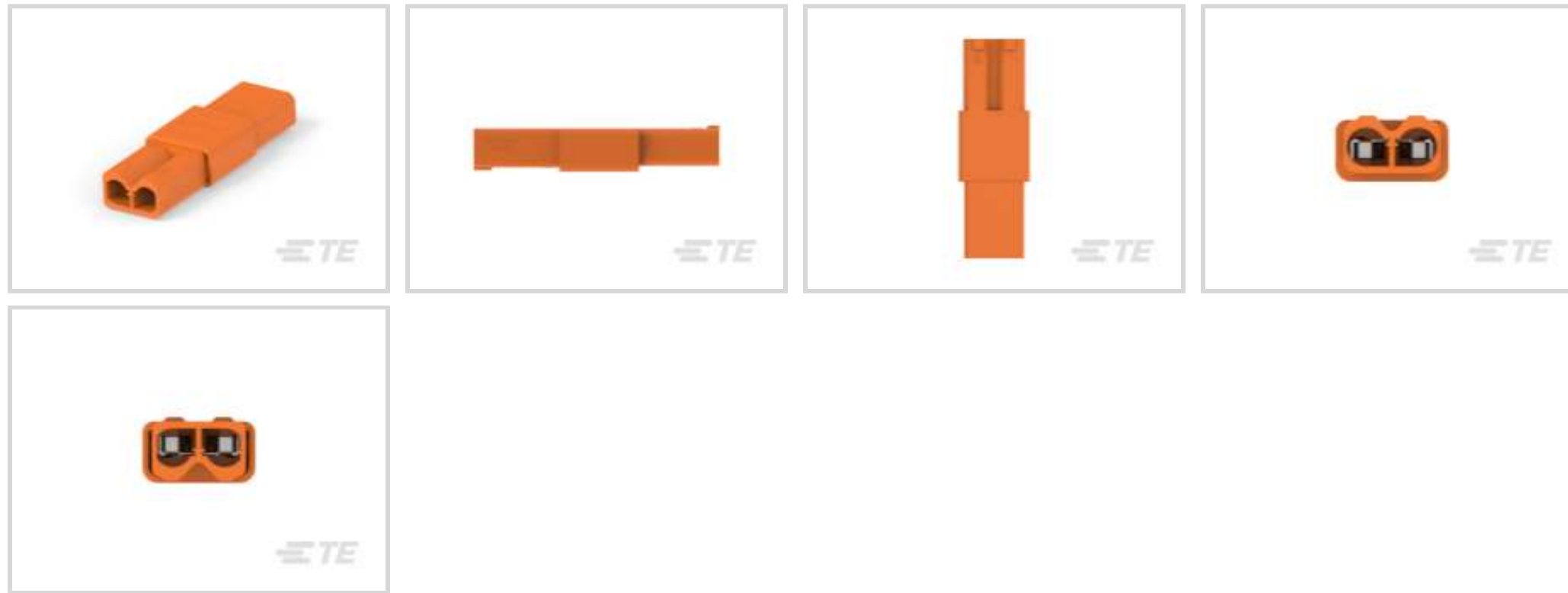
LIGHT-N-LOK | LIGHT-N-LOK Ballast Connector

TE Internal #: 2271203-1

Ballast Connectors, Connector, Poke-In, Wire-to-Wire, 2 Position, 5.7 mm Centerline, Wire & Cable, LIGHT-N-LOK Ballast Connector

[View on TE.com >](#)

Connectors > Lighting Connectors > Ballast Connectors



Lighting Product Type: **Connector**

Termination Method to Wire & Cable: **Poke-In**

Connector System: **Wire-to-Wire**

Number of Positions: **2**

Centerline (Pitch): **5.7 mm**

Features

Product Type Features

Lighting Product Type	Connector
Connector System	Wire-to-Wire
Sealable	No
Connector & Contact Terminates To	Wire & Cable

Configuration Features

Number of Rows	1
Number of Positions	2

Electrical Characteristics

Operating Voltage (Max)	600 VDC
-------------------------	---------

Body Features

Primary Product Color	Orange
-----------------------	--------

Contact Features

Contact Current Rating (Max)	3 A
------------------------------	-----

Termination Features



Termination Method to Wire & Cable	Poke-In
------------------------------------	---------

Mechanical Attachment

Mating Alignment	With
------------------	------

Housing Features

Centerline (Pitch)	5.7 mm
--------------------	--------

Dimensions

Connector Length	40 mm
------------------	-------

Connector Height	7.75 mm
------------------	---------

Connector Width	13.3 mm
-----------------	---------

Wire Size	18 – 22 AWG
-----------	-------------

Usage Conditions

Operating Temperature Range	-40 – 105 °C
-----------------------------	--------------

Industry Standards

Approved Standards	UL 2459
--------------------	---------

UL Flammability Rating	UL 94V-0
------------------------	----------

Packaging Features

Packaging Quantity	250
--------------------	-----

Packaging Method	Loose Piece
------------------	-------------

Product Compliance

[For compliance documentation, visit the product page on TE.com>](#)

EU RoHS Directive 2011/65/EU	Compliant
------------------------------	-----------

EU ELV Directive 2000/53/EC	Compliant
-----------------------------	-----------

China RoHS 2 Directive MIIT Order No 32, 2016	No Restricted Materials Above Threshold
---	---

EU REACH Regulation (EC) No. 1907/2006	<p>Current ECHA Candidate List: JUNE 2023 (235)</p> <p>Candidate List Declared Against: JUNE 2023 (235)</p> <p>SVHC > Threshold:</p> <p>Melamine (3% in Component Part)</p> <p>Article Safe Usage Statements: Wash thoroughly after handling. Do not handle until all safety precautions have been read and understood. Recycle if possible and dispose of the article by following all applicable governmental regulations relevant to your geographic location.</p>
--	--

Halogen Content	Low Halogen - Br, Cl, F, I < 900 ppm per homogenous material. Also BFR/CFR/PVC Free
-----------------	---



Solder Process Capability

Not applicable for solder process capability

Product Compliance Disclaimer

This information is provided based on reasonable inquiry of our suppliers and represents our current actual knowledge based on the information they provided. This information is subject to change. The part numbers that TE has identified as EU RoHS compliant have a maximum concentration of 0.1% by weight in homogenous materials for lead, hexavalent chromium, mercury, PBB, PBDE, DBP, BBP, DEHP, DIBP, and 0.01% for cadmium, or qualify for an exemption to these limits as defined in the Annexes of Directive 2011/65/EU (RoHS2). Finished electrical and electronic equipment products will be CE marked as required by Directive 2011/65/EU. Components may not be CE marked. Additionally, the part numbers that TE has identified as EU ELV compliant have a maximum concentration of 0.1% by weight in homogenous materials for lead, hexavalent chromium, and mercury, and 0.01% for cadmium, or qualify for an exemption to these limits as defined in the Annexes of Directive 2000/53/EC (ELV). Regarding the REACH Regulation, the information TE provides on SVHC in articles for this part number is based on the latest European Chemicals Agency (ECHA) 'Guidance on requirements for substances in articles' posted at this URL: <https://echa.europa.eu/guidance-documents/guidance-on-reach>

Compatible Parts



TE Part # 8-2834006-2
2P MRPK CONN_BK/WE




TE Part # 2324697-2
PUSH GRIP CONNECTOR 2P



TE Part # 4-2213480-1
LUMAWISE Z50 HOLDER 2828 LEDIL

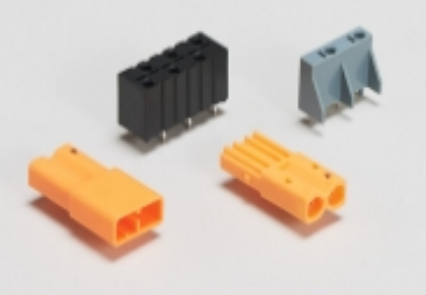


TE Part # CAT-L97-L4981C
Mini LED Holders Z35



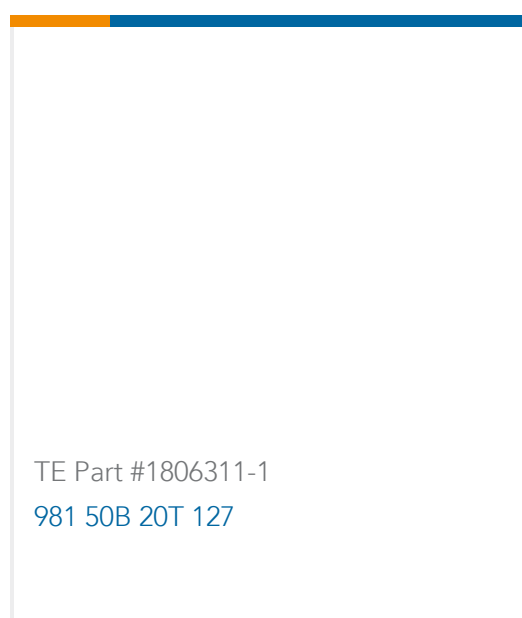
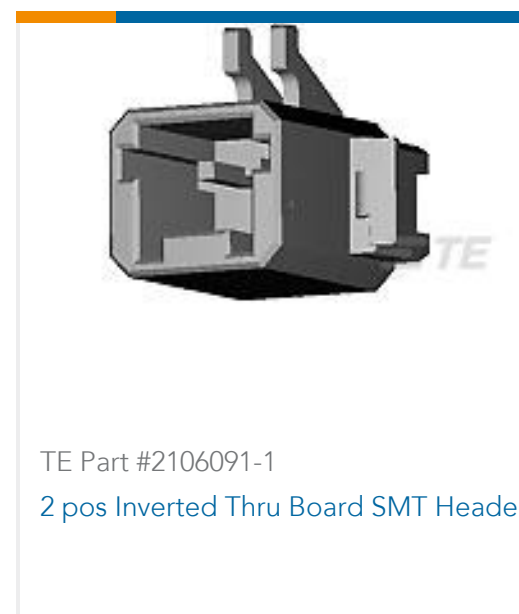
TE Part # CAT-L97-L4981B
LED Holders, Z45

Also in the Series | LIGHT-N-LOK Ballast Connector



Ballast Connectors(39)

Customers Also Bought



Documents

Product Drawings

2PIN WIRE TO WIRE CONNECTOR

English

CAD Files

3D PDF

3D

Customer View Model

[ENG_CVM_CVM_2271203-1_D.2d_dxf.zip](#)

English

Customer View Model

[ENG_CVM_CVM_2271203-1_D.3d_igs.zip](#)

English

Customer View Model

[ENG_CVM_CVM_2271203-1_D.3d_stp.zip](#)

English

By downloading the CAD file I accept and agree to the [Terms and Conditions](#) of use.

Datasheets & Catalog Pages



LIGHT-N-LOK Standard Connectors

English

LIGHT-N-LOK Brochure

English

Product Specifications

Application Specification

English

Instruction Sheets

Instruction Sheet (U.S.)

English

Agency Approvals

UL Report

English