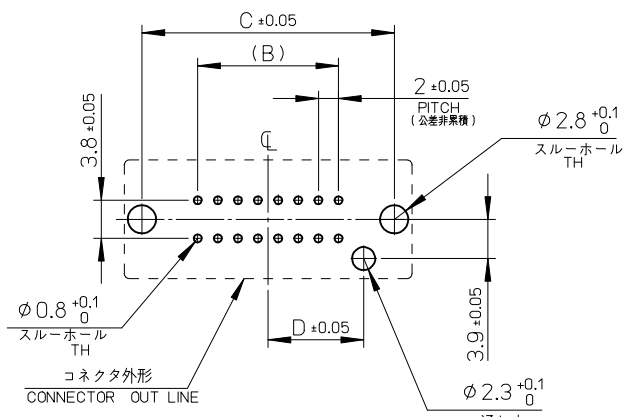
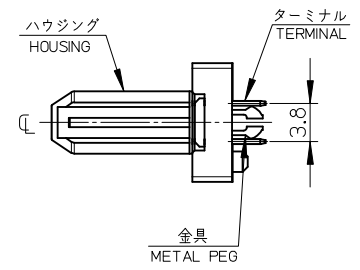
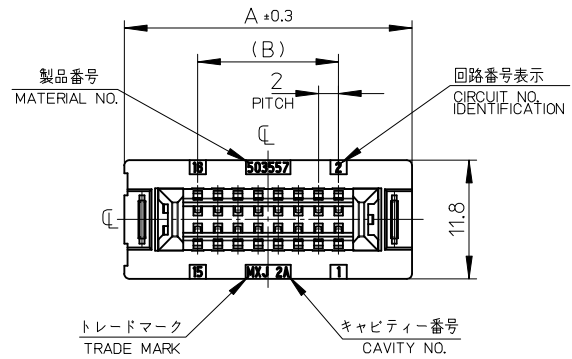


注記:
NOTES

1. 材質
MATERIAL
ハウジング: ポリブチレンテレフタレート (PBT)、ガラス充填、UL94V-0、黒色
HOUSING: POLYBUTYLENE TEREPHTHALATE (PBT), GLASS FILLED, UL94V-0, BLACK
ターミナル: 銅合金 (セ=0.5)
TERMINAL: COPPER ALLOY (t=0.5)
金具: りん青銅 (セ=0.48)
METAL PEG: PHOSPHOR BRONZE (t=0.48)
2. メッキ仕様
FINISHES
ターミナル
TERMINAL
接点部: ニッケル下地金メッキ
CONTACT AREA: GOLD OVER NICKEL PLATING.
金メッキ 0.1 マイクロメートル以上
GOLD 0.1 MICROMETERS MINIMUM
ニッケル下地メッキ 1.0 マイクロメートル以上
NICKEL 1.0 MICROMETERS MINIMUM
半田付け部: ニッケル下地メッキ
SOLDER TAIL: TIN OVER NICKEL PLATING
錫メッキ 1.0 マイクロメートル以上
TIN 1.0 MICROMETERS MINIMUM
ニッケル下地メッキ 1.0 マイクロメートル以上
NICKEL 1.0 MICROMETERS MINIMUM
金具: ニッケル下地メッキ
METAL PEG: TIN OVER NICKEL PLATING
錫メッキ 1.0 マイクロメートル以上
TIN 1.0 MICROMETERS MINIMUM
ニッケル下地メッキ 1.0 マイクロメートル以上
NICKEL 1.0 MICROMETERS MINIMUM
3. 嵌合相手: 503559-**00
MATING CONNECTOR: 503559-**00
4. 製品仕様及び取り扱いについては、製品仕様書 PS-503557-001 及び、コネクタ取扱説明書 AS-503557-001 を参照願います。
PLEASE REFER TO PRODUCTS SPECIFICATION PS-503557-001 AND USER'S MANUAL AS-503557-001.
5. ELV及びRoHS適合品。
ELV AND RoHS COMPLIANT.

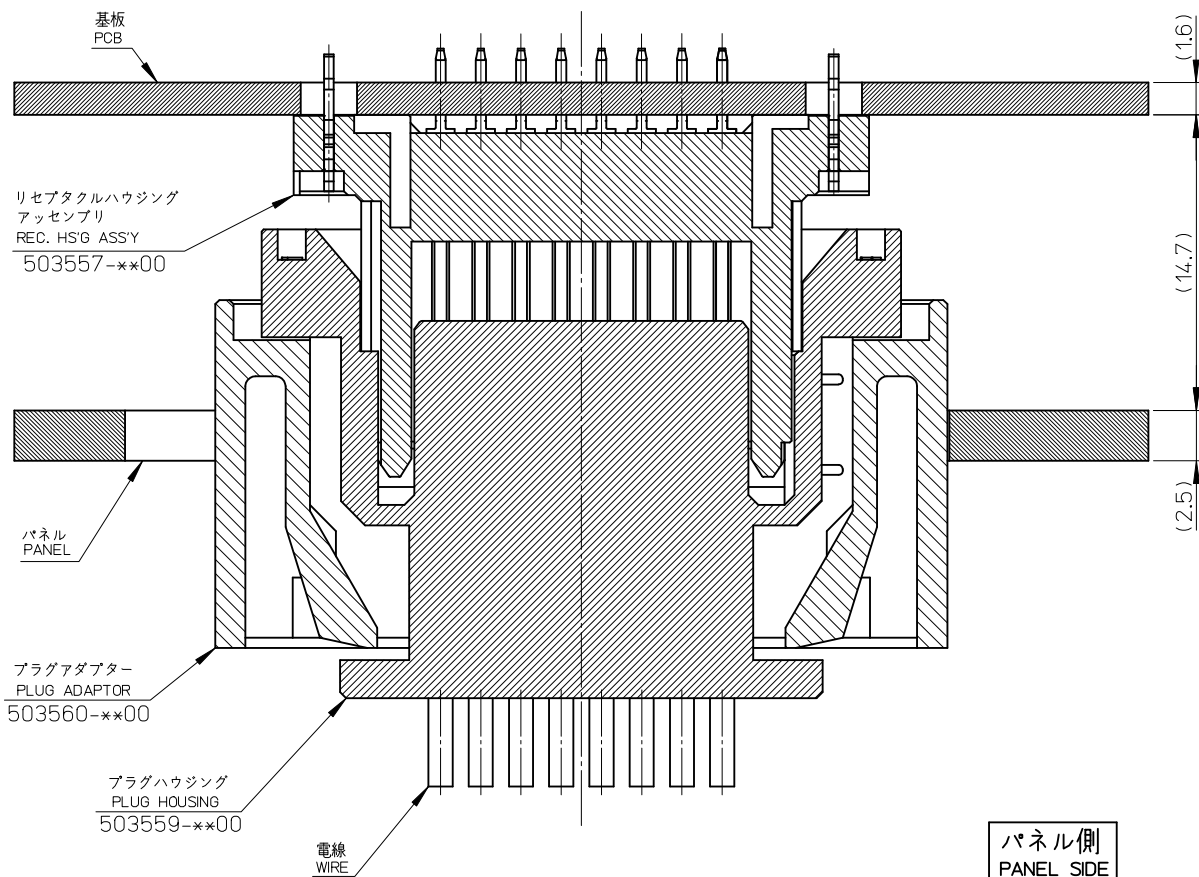


基板寸法 (部品実表面、基板厚: 1.6)
PCB LAYOUT (COMPONENT SIDE, THK=1.6)

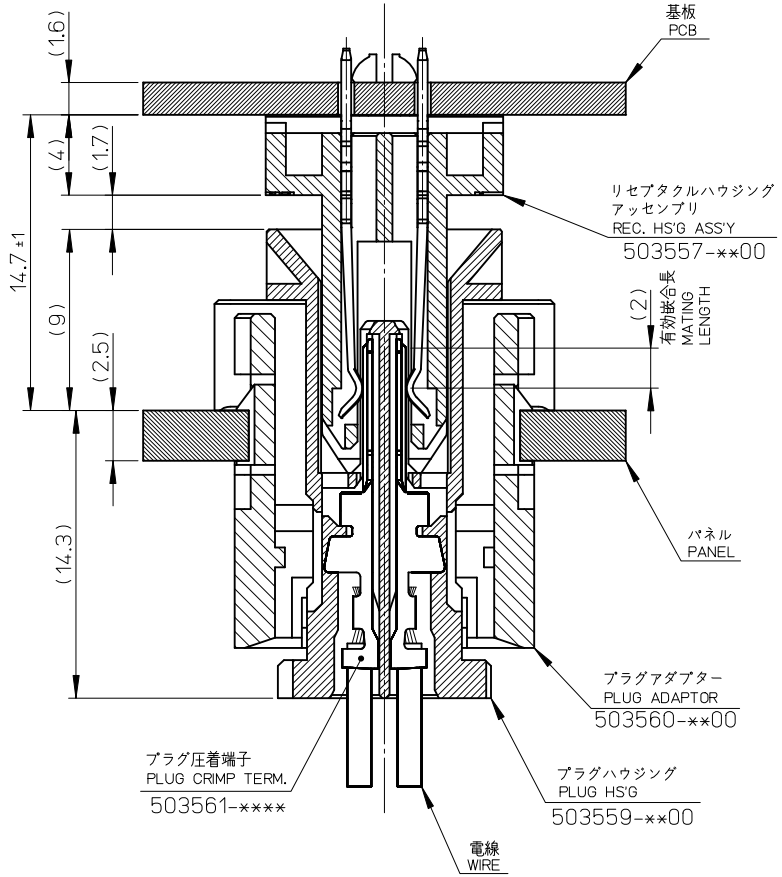
10.5	27.1	16	30.6	503557-1800	503557-**00	18
9.5	25.1	14	28.6	503557-1600		16
8.5	23.1	12	26.6	503557-1400		14
7.5	21.1	10	24.6	503557-1200		12
D	C	B	A	TRAY PACKAGE オーダー番号 ORDER No.	MODEL NO.	極数 CIRCUITS

REVISED EC NO: J2016-0130 DRWN: YAJI MAO1 2015/07/27 CHKD: KASAKAWA 2015/08/05 APPR: NUKITA 2015/08/25	GENERAL TOLERANCES (UNLESS SPECIFIED)		DIMENSION STYLE MM ONLY		SCALE 2:1	DESIGN UNITS METRIC	THIRD ANGLE PROJECTION	
	0.25 UNDER	±0.03	DRAWN BY	DATE	TITLE			
	0.25 OVER 0.5 UNDER	±0.05	KKOBAYASHI	2010/04/22	2.0 FLOATING CONN. REC. HS'G ASS'Y			
	0.5 OVER 1.0 UNDER	±0.1	CHECKED BY	DATE	molex			
1.0 OVER 30 UNDER	±0.2	SSAT003	2010/04/22	APPROVED BY	DATE	DOCUMENT NO.		
10 OVER 10 UNDER	±0.25	NUKITA	2010/05/24	MATERIAL NO.		SHEET NO.		
30 OVER	±0.3	ANGULAR ±3 °		SEE CHART		SD-503557-001		
DRAFT WHERE APPLICABLE MUST REMAIN WITHIN DIMENSIONS				SIZE A3	THIS DRAWING CONTAINS INFORMATION THAT IS PROPRIETARY TO MOLEX INCORPORATED AND SHOULD NOT BE USED WITHOUT WRITTEN PERMISSION			

基板側
PCB SIDE



パネル側
PANEL SIDE



嵌合図
SCALE 4:1

SEE SHEET 1 EC NO.: J2016-0130 DRWN: YAJI MAO1 2015/07/27 CHKD: KASAKAWA 2015/08/05 APPR: NUKITA 2015/08/25	GENERAL TOLERANCES (UNLESS SPECIFIED)		DIMENSION STYLE		SCALE	DESIGN UNITS	THIRD ANGLE PROJECTION
	0.25 UNDER ±0.03		MM ONLY		2:1	METRIC	
	0.25 OVER 0.5 UNDER ±0.05		DRAWN BY DATE		TITLE		
	0.5 OVER 1.0 UNDER ±0.1		KKOBAYASHI 2010/04/22		2.0 FLOATING CONN. REC. HS'G ASS'Y		
REV A	1.0 OVER 10 UNDER ±0.2		CHECKED BY DATE		DOCUMENT NO.		SHEET NO. 2 OF 2
	10 OVER 30 UNDER ±0.25		SSAT003 2010/04/22		SD-503557-001		
	30 OVER ±0.3		APPROVED BY DATE		molex		
	ANGULAR ±3 °		NUKITA 2010/05/24		SEE SHEET 1		
DRAFT WHERE APPLICABLE MUST REMAIN WITHIN DIMENSIONS			SIZE	THIS DRAWING CONTAINS INFORMATION THAT IS PROPRIETARY TO MOLEX INCORPORATED AND SHOULD NOT BE USED WITHOUT WRITTEN PERMISSION			
			A3				