

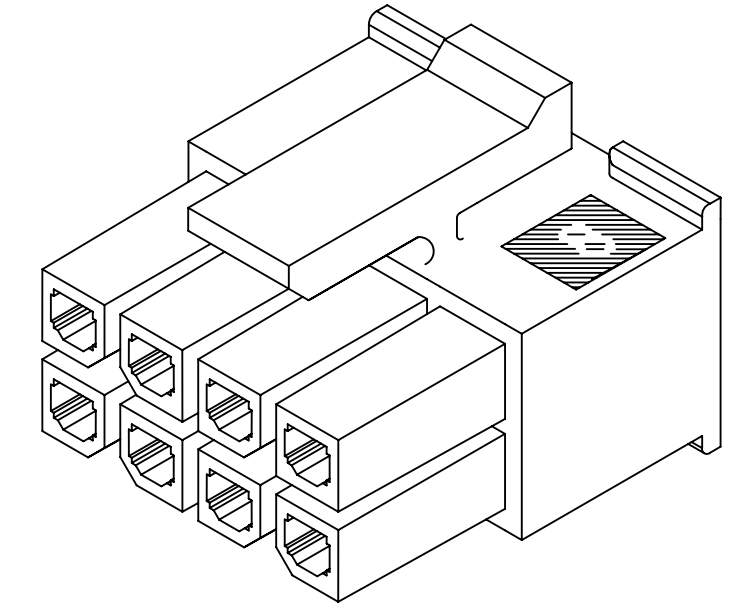
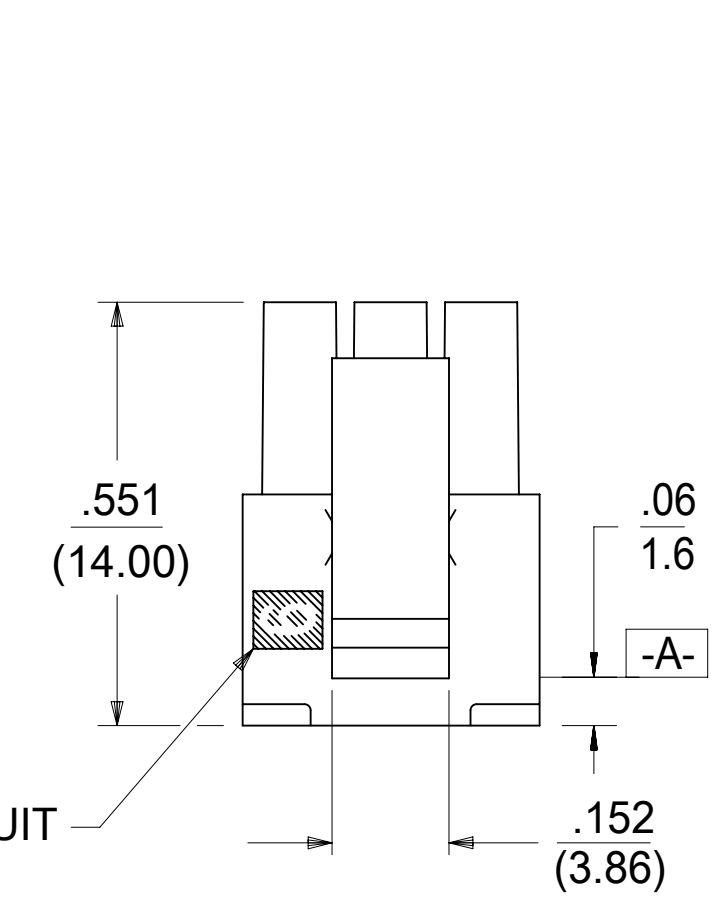
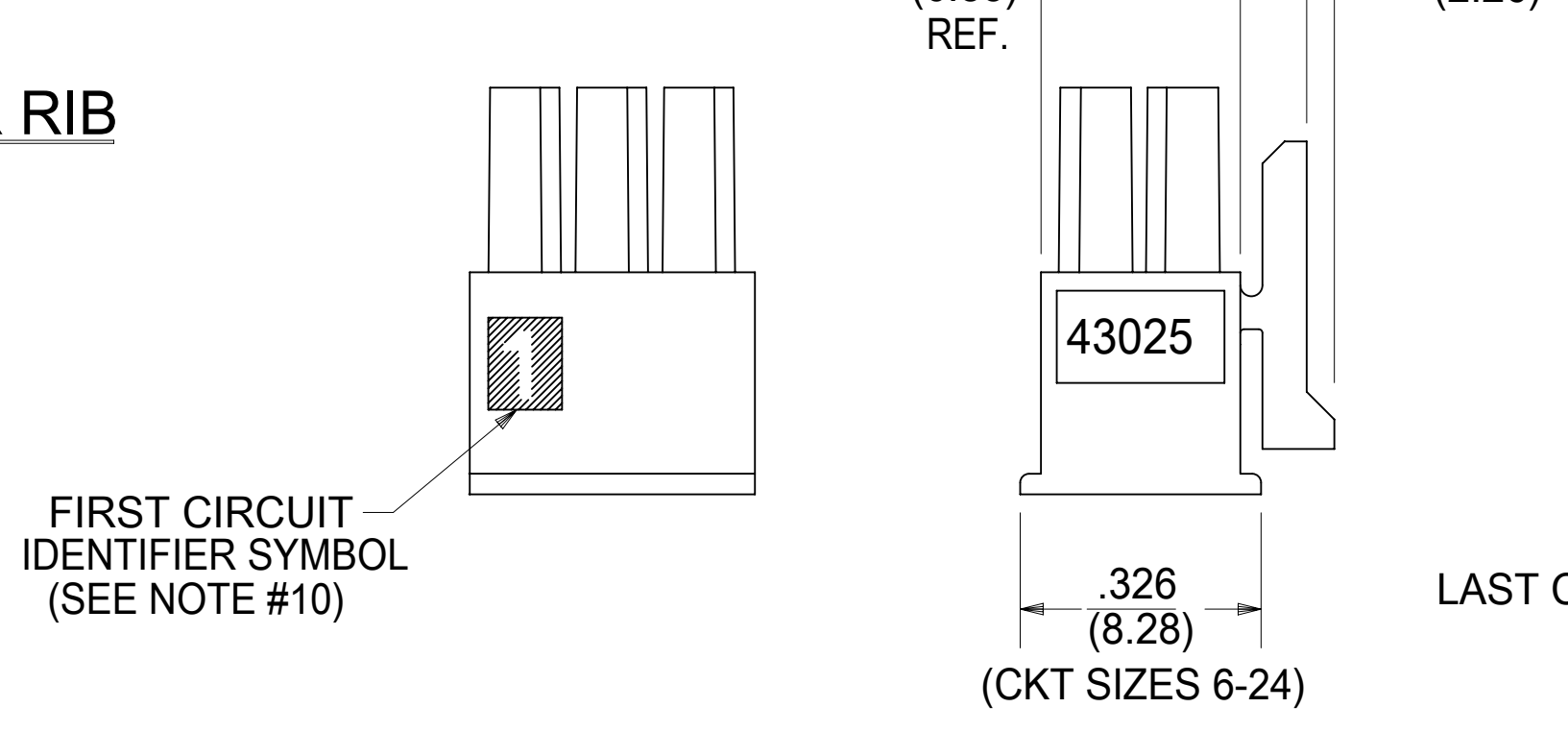
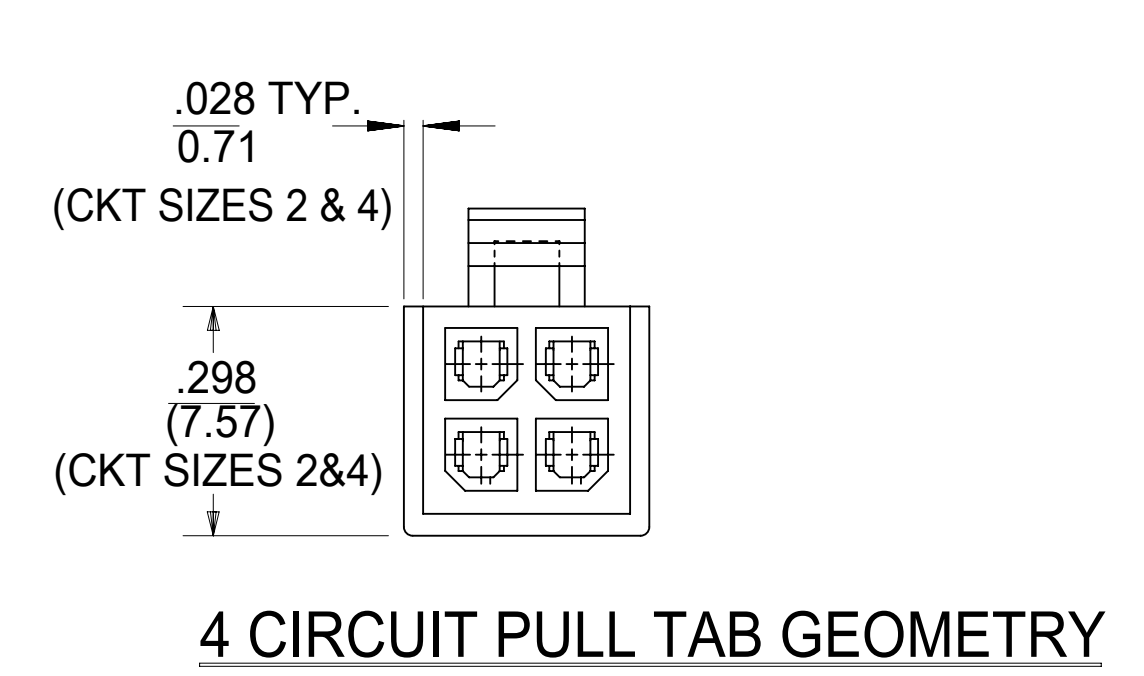
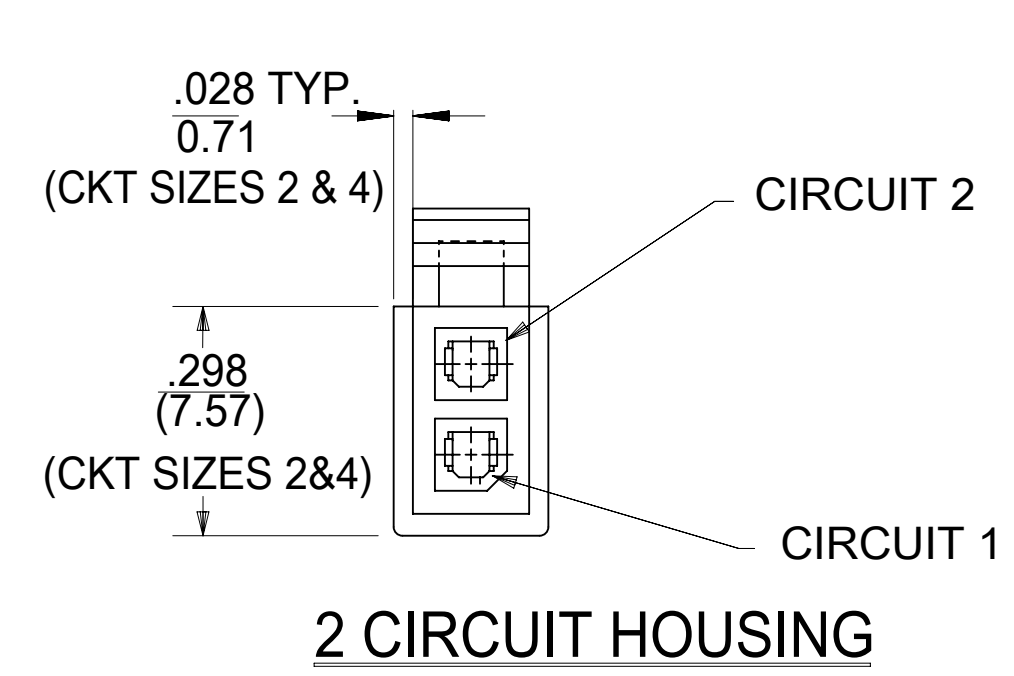
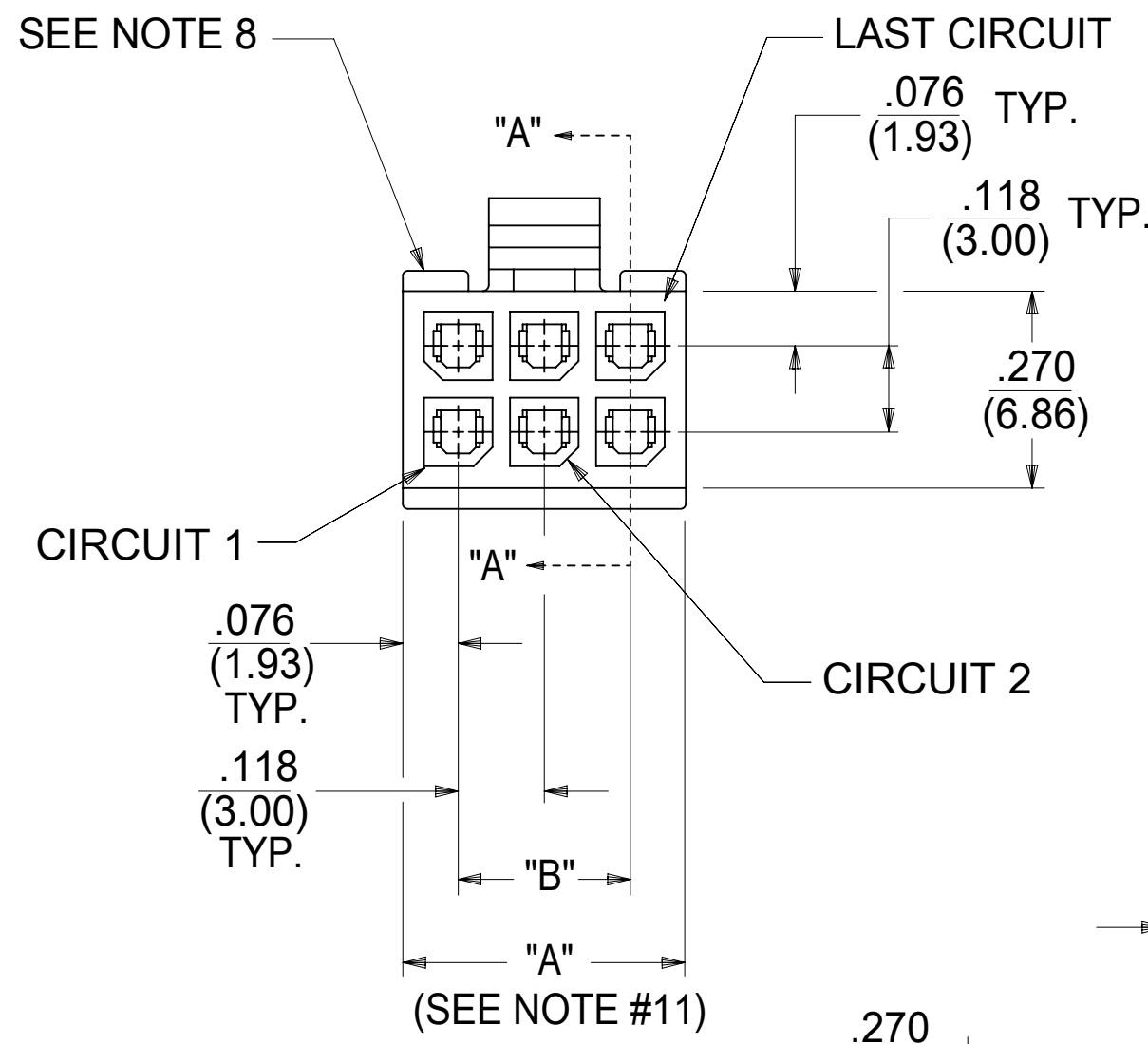
PART CHARACTERISTICS	
NUMBER OF POSITION	ASSEMBLY ITEM NUMBER
02	43025-0210
04	43025-0410
06	43025-0610
08	43025-0810
10	43025-1010
12	43025-1210
14	43025-1410
16	43025-1610
18	43025-1810
20	43025-2010
22	43025-2210
24	43025-2410

CKT. SIZE	DIM. "A" +0.14 -.010 +0.35 -0.25	DIM. "B"
2	.152/(3.86)	N/A
4	.270/(6.85)	.118/(3.00)
6	.388/(9.85)	.236/(6.00)
8	.506/(12.85)	.354/(9.00)
10	.624/(15.85)	.472/(12.00)
12	.742/(18.85)	.591/(15.00)
14	.860/(21.85)	.709/(18.00)
16	.978/(24.85)	.827/(21.00)
18	1.096/(27.85)	.945/(24.00)
20	1.215/(30.85)	1.063/(27.00)
22	1.333/(33.85)	1.181/(30.00)
24	1.451/(36.85)	1.299/(33.00)

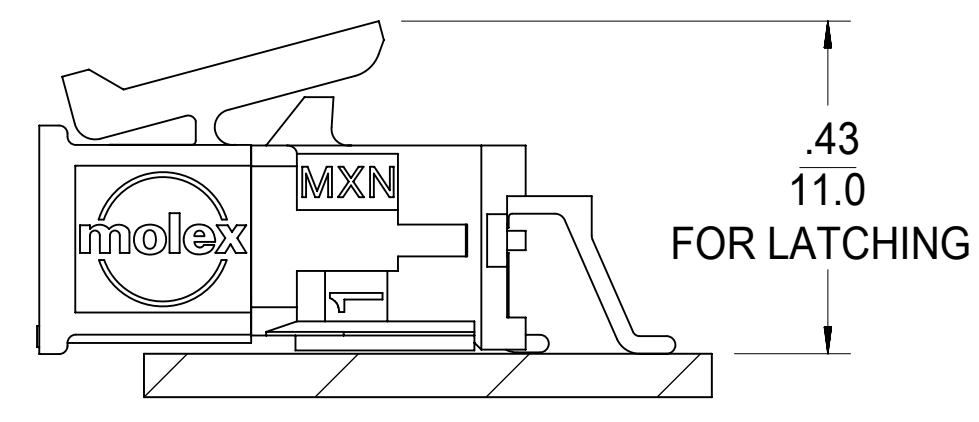
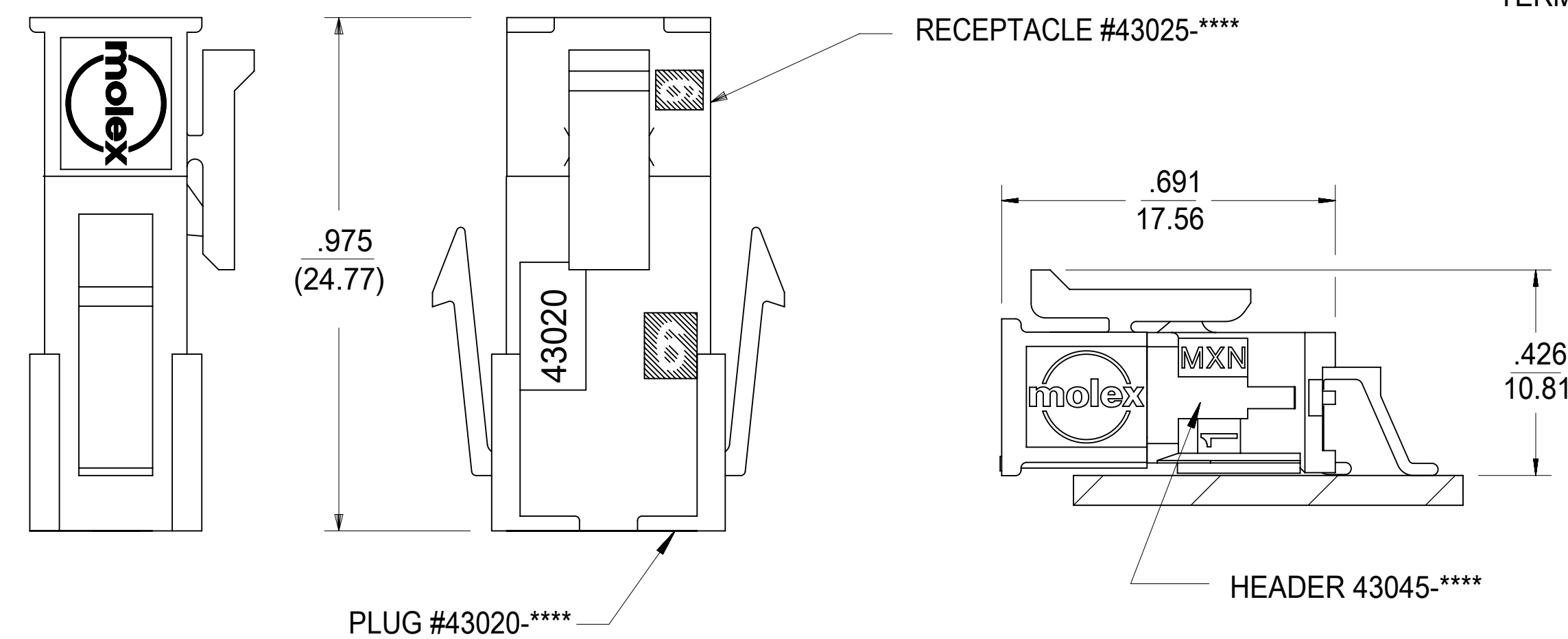
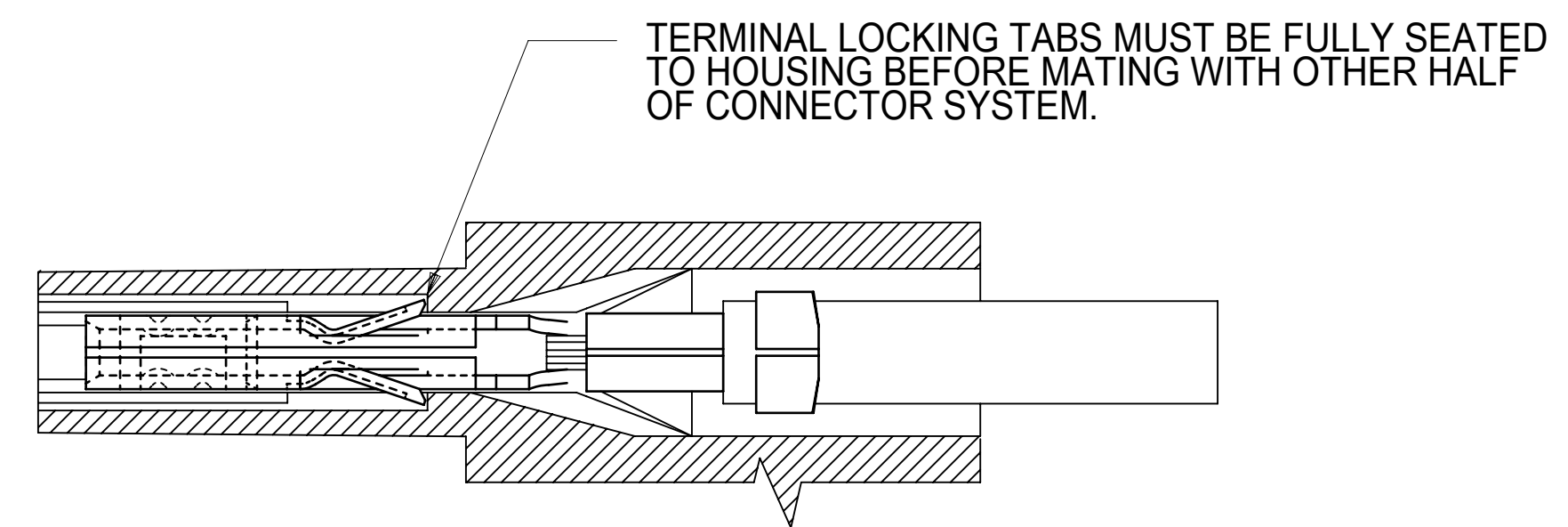
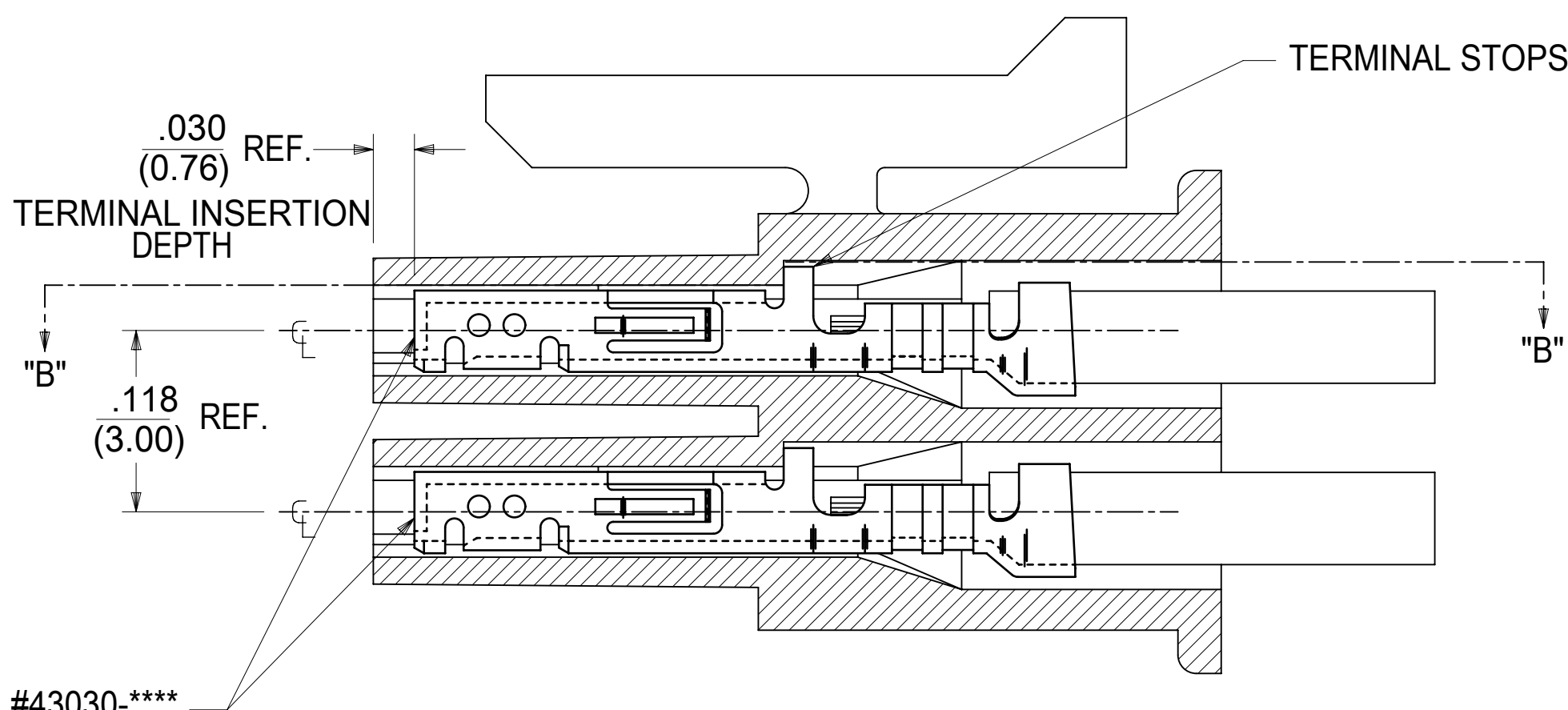
NOTES:

- HOUSING MATERIAL:
UNFILLED NYLON, RATED U.L. 94V-2, IEC 60335-1 GLOW WIRE CAPABLE, COLOR IS BLACK.
* MATERIAL NUMBERS ON THIS DRAWING ARE GLOW WIRE CAPABLE SINCE INCEPTION.
- FINISH: N/A
- PRODUCT SPECIFICATION: PS-43045
- PACKAGING SPECIFICATION: PK-43025-001
- THIS RECEPTACLE MATES WITH 43020, 43045.
- THIS RECEPTACLE TO BE USED WITH MOLEX FEMALE TERMINAL SERIES 43030 OR 46235.
SEE SECTION "A"- "A" FOR TERMINAL ORIENTATION IN HOUSING.
- FOR OVERMOLDING PARAMETERS SEE APPLICATION SPECIFICATION 430250000-AS.
- TOP PULL TABS ARE NOT AVAILABLE ON 2 AND 4 CIRCUIT PARTS.
- MOLEX RECOMMENDS THE USE OF MICRO-FIT TEST PLUG, SERIES NO. 44242-**** WHENEVER TESTING IS PERFORMED. TEST PLUGS MUST NOT BE USED FOR MAKE OR BREAK UNDER LOAD. MOLEX DOES NOT RECOMMEND USING STANDARD MATING COMPONENTS FOR HARNESS TESTING PURPOSES.
- HOUSINGS HAVE EITHER AN IDENTIFIER RIB OR ENGRAVED "1" SYMBOL TO INDICATE CIRCUIT #1. IDENTIFIER TYPE IS TOOL DEPENDENT AND NOT SELECTABLE.
- DIMENSION 'A' MEASURED AT DATUM -A-
- THIS PART CONFORMS TO CLASS 'B' REQUIREMENTS OF COSMETIC SPECIFICATION PS-45499-002, WITH THE EXCEPTION OF FLASH, DISCOLORATION, AND SINK MEET CLASS "C" REQUIREMENTS.
- HOUSINGS MAY HAVE DISCOLORATION AREAS THAT DO NOT AFFECT FUNCTIONALITY. DISCOLORATION AREAS MAY EXTEND ACROSS THE ENTIRE LENGTH OF THE FACES OF THE PART.
- TEXT ON PART IS FOR REFERENCE ONLY. TEXT AND TEXT LOCATION MAY VARY DEPENDING ON PART NUMBER AND/OR TOOL.

HOUSING SHOWN WITH
FIRST CIRCUIT IDENTIFIER RIB
(SEE NOTE #10)



RECEPTACLE
ISO VIEW
(8 CIRCUIT SHOWN)
(SEE NOTE 9 FOR TESTING)



MATED MICRO-FIT CONNECTOR

SYMBOLS	THIS DRAWING CONTAINS INFORMATION THAT IS PROPRIETARY TO MOLEX ELECTRONIC TECHNOLOGIES, LLC AND SHOULD NOT BE USED WITHOUT WRITTEN PERMISSION		CURRENT REV DESC: UPDATE NOTE 7	
	DIMENSION UNITS	SCALE		
▽ = 0	IN/MM	NTS		
▽ = 0	GENERAL TOLERANCES (UNLESS SPECIFIED)			
▽ = 0		MM	INCH	
▽ = 0	4 PLACES	±	±	EC NO: 168740
▽ = 0	3 PLACES	±	± 0.01	DRWN: AZAHIROVIC 2018/01/03
▽ = 0	2 PLACES	±	0.25 ± 0.014	CHK'D: SSOUSEK 2018/06/01
▽ = 0	1 PLACE	±	0.35 ±	APPR: FSMITH 2018/06/01
▽ = 0	0 PLACES	±	±	INITIAL REVISION:
▽ = 0	ANGULAR TOL		± 0.5 °	DRWN: JDFOX 2015/02/09
▽ = 0	DRAFT WHERE APPLICABLE MUST REMAIN WITHIN DIMENSIONS			APPR: BPISZCZOR 2016/06/10
▽ = 0	THIRD ANGLE PROJECTION		DRAWING	SERIES
▽ = 0	D-SIZE		43025	MATERIAL NUMBER
		SEE CHART		CUSTOMER
		GENERAL MARKET		SHEET NUMBER
		1 OF 1		

DOCUMENT STATUS	P1	RELEASE DATE	2018/06/01	21:26:25
-----------------	----	--------------	------------	----------

molex

MICRO-FIT (3.0) RECEPTACLE, GLOW WIRE DUAL ROW / 2 THRU 24 CIRCUIT

PRODUCT CUSTOMER DRAWING

DOCUMENT NUMBER: SD-43025-002
DOC TYPE: PSD
DOC PART: 001
REVISION: A1