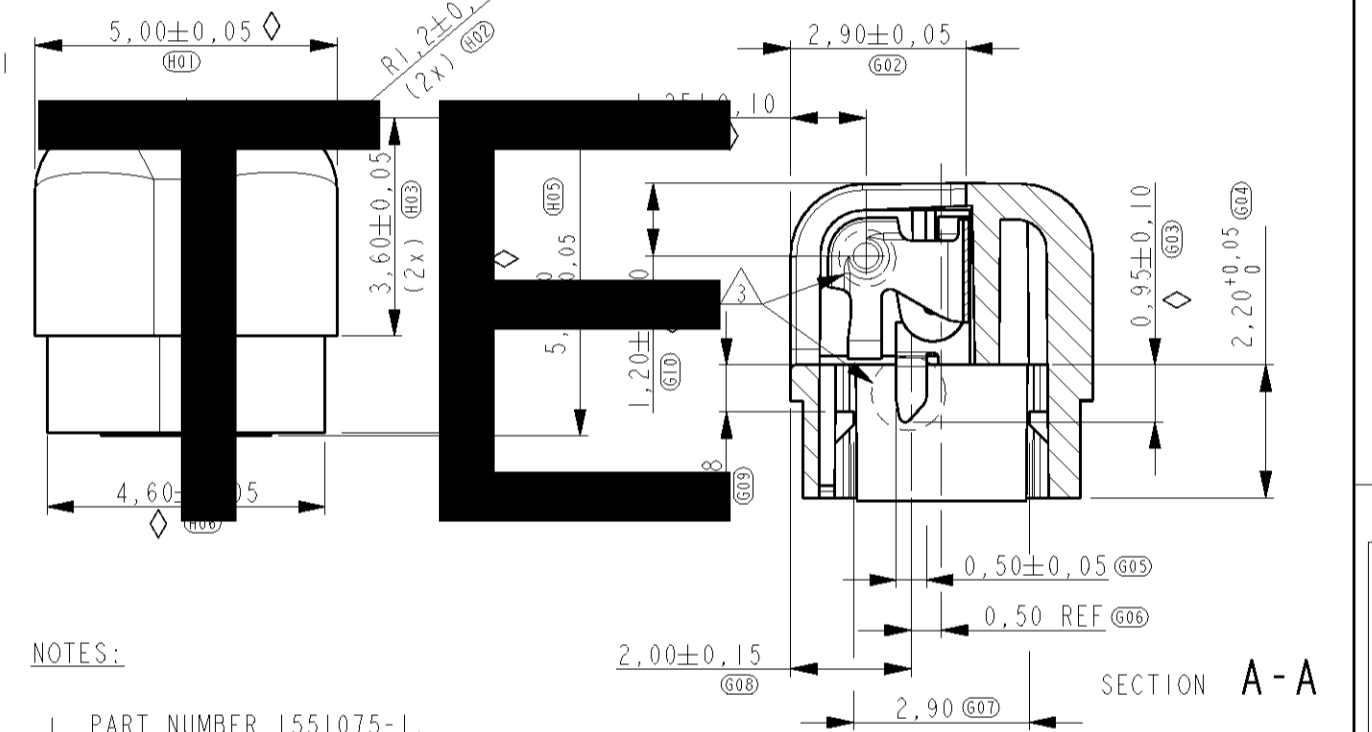
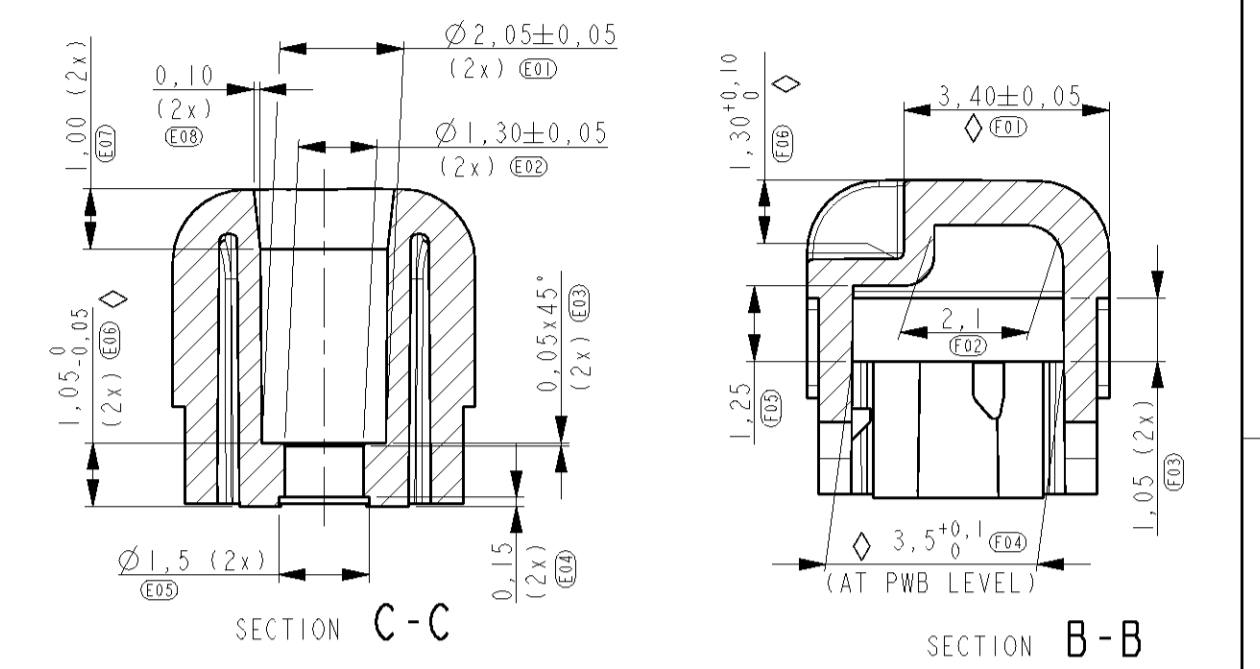
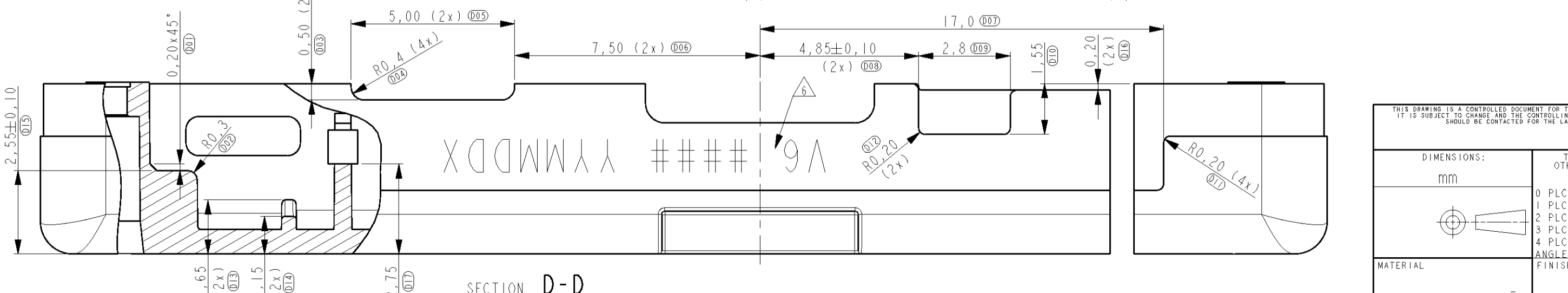
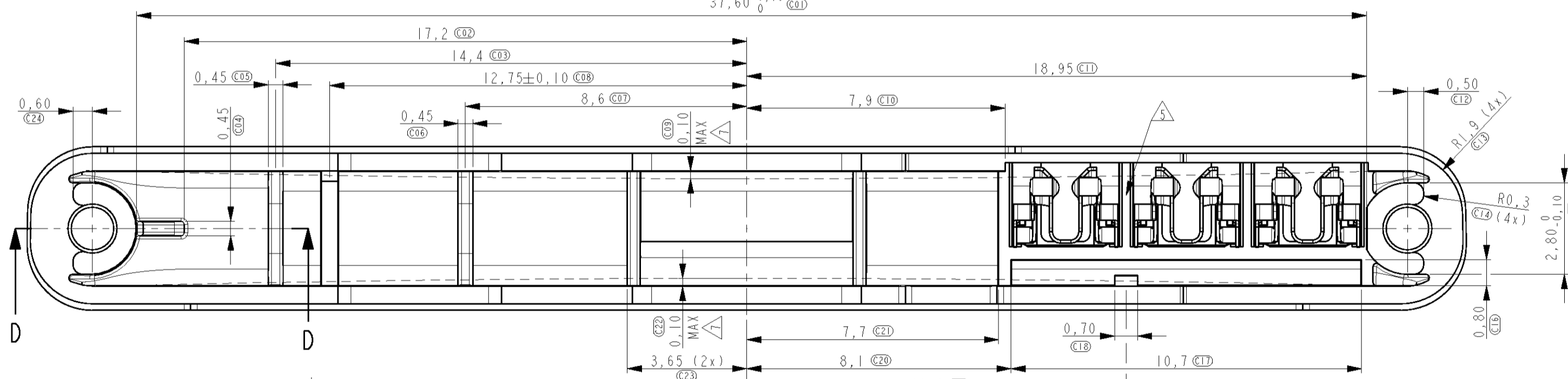
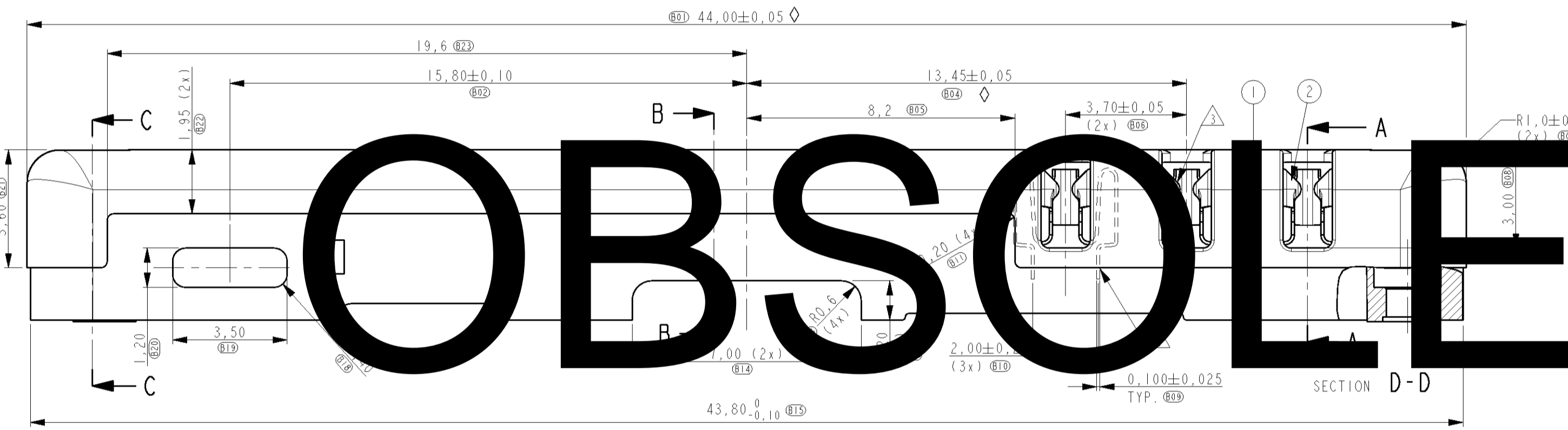
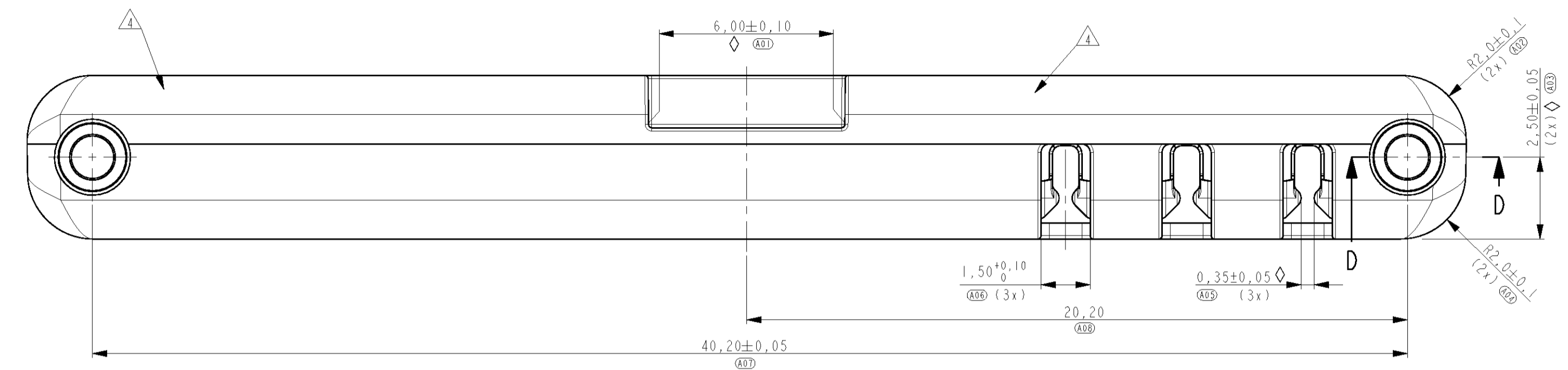


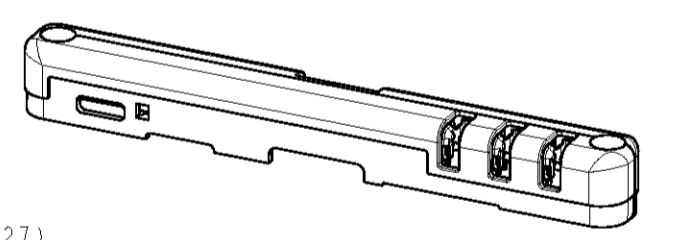
THIS DRAWING IS UNPUBLISHED. RELEASED FOR PUBLICATION  
 © COPYRIGHT - BY TYCO ELECTRONICS CORPORATION. ALL RIGHTS RESERVED.

LOC		DIST		REVISIONS			
P	LTR	DESCRIPTION	DATE	DWN	APVD		
9		DIM A07,A08,C01,C11,D17,E06 CHANGE. V5	09SEP2009	PW	DH		
10		ADD DIM E07, E08. V6	26NOV2009	PW	DH		
A		ECR-10-018708	08SEP2010	PW	DH		



NOTES:

- PART NUMBER 1551075-1.
- DRAWING REPRESENTS PART VERSION "V6".
- PLATING:
  - 1.2µm MIN. NICKEL ALL OVER
  - 0.8µm MIN. GOLD ON CONTACT POINTS
  - 3.0µm MIN. TIN ON SOLDER AREA
- SURFACE TEXTURE Ra 1.9µm (TOOL TEXTURE SPARK ERODED ACCORDING TO VDI 3400-24/27) COLOUR: BLACK (PANTONE 3U2X).
- MARKING: MOLD CAVITY IDENTIFICATION.
- MARKING: VERSION (V6), PROCESS ID (####), PRODUCTION DATE (YYMMDDX). MARKING NOT IN COSMETIC AREA.
- MAXIMUM WARPAGE, INWARD ONLY.
- HOUSING MOULDED WITH VIRGIN MATERIAL



2	CONTACT	COPPER ALLOY	GOLD PLATED
1	HOUSING	PA 6T, 35% GF	
ITEM NO.	DESCRIPTION	MATERIAL	FINISH

THIS DRAWING IS A CONTROLLED DOCUMENT FOR TYCO ELECTRONICS CORPORATION IT IS SUBJECT TO CHANGE AND THE CONTROLLING ENGINEERING ORGANIZATION SHOULD BE CONTACTED FOR THE LATEST REVISION		DWN	21-JAN-09	TYCO ELECTRONICS NEDERLAND B.V.	
		CHK	21-JAN-09	's-HERTOGENBOSCH, THE NETHERLANDS	
		APVD	21-JAN-09	NAME	
		PRODUCT SPEC		RECEPTACLE CONNECTOR	
		APPLICATION SPEC		3 POSITION, BP-4L	
				BATTERY BLOCK	
		108-19276		SIZE	CAGE CODE
		114-19088		A2	00779
		618 mg		DRAWING NO	RESTRICTED TO
				C=1551075	-
CUSTOMER DRAWING		SCALE	8.1	SHEET	OF
				REV	A