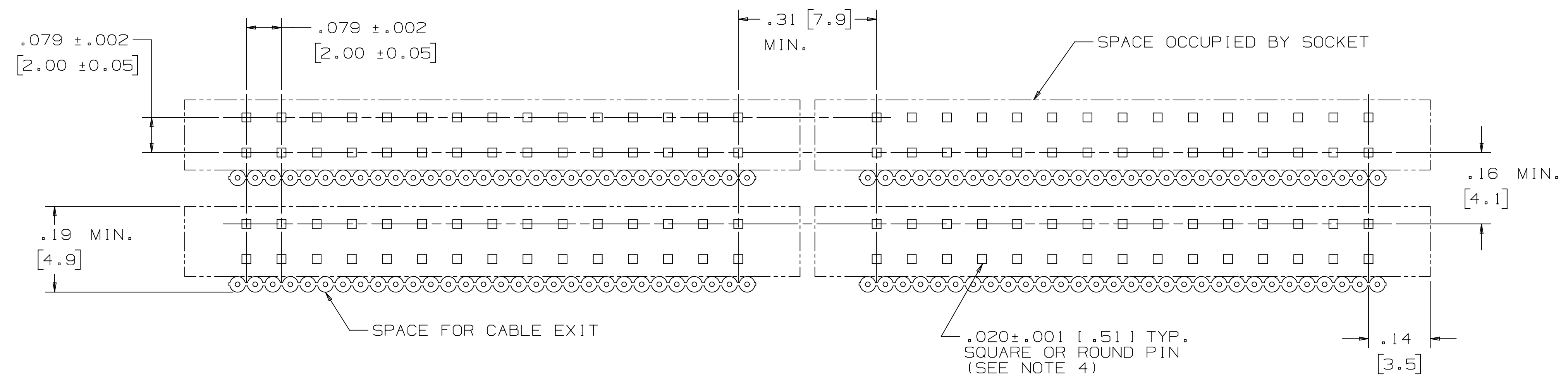
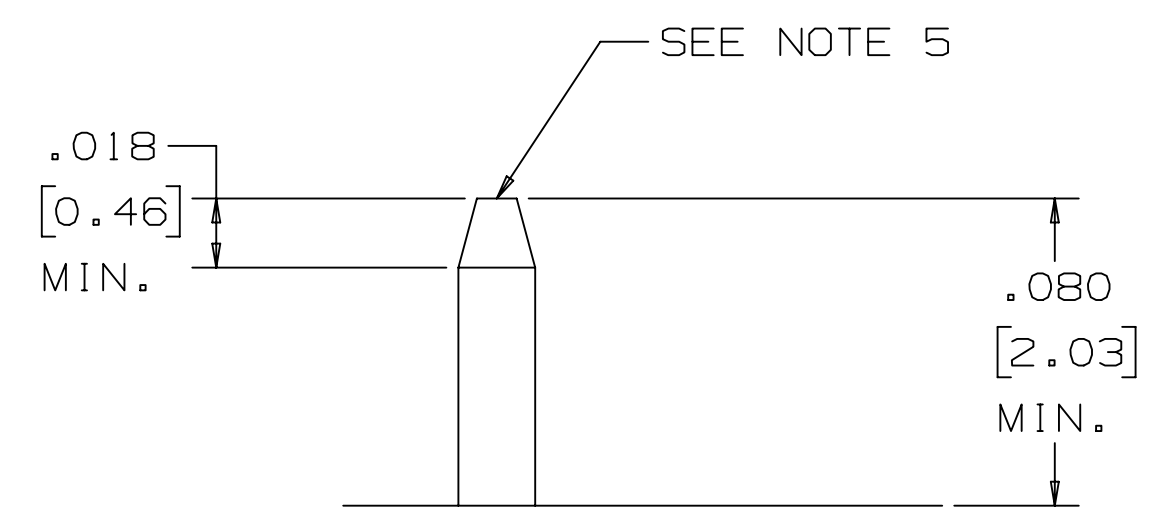


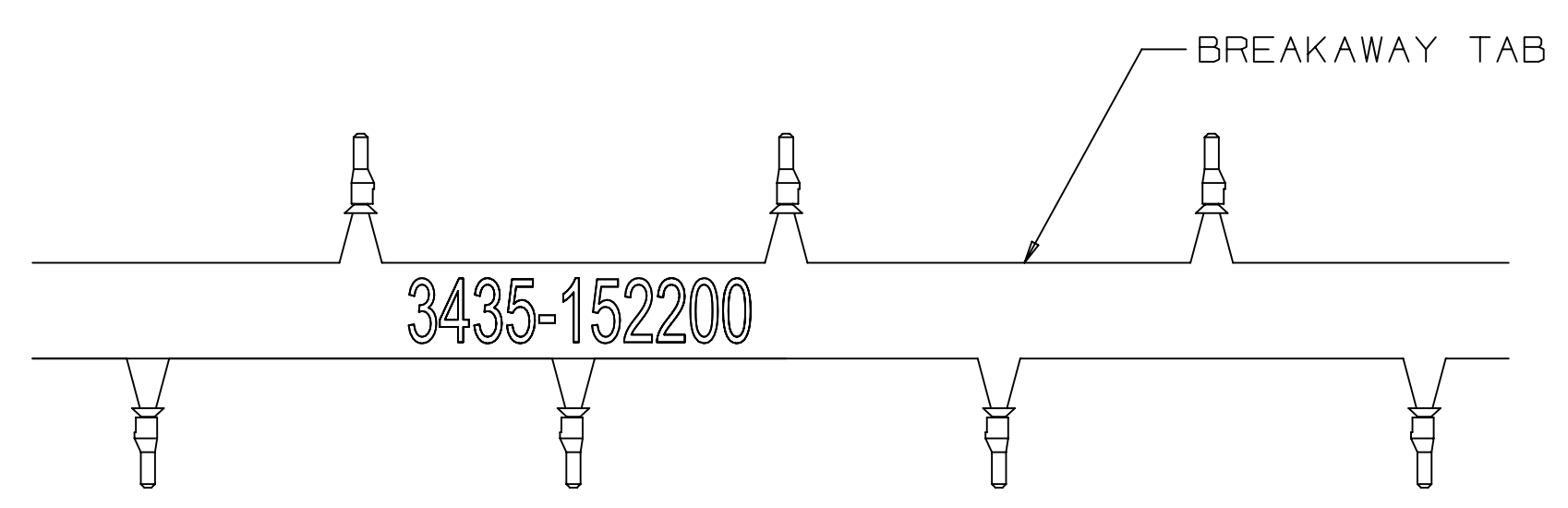
3M™ WIREMOUNT SOCKET, 1522 SERIES
2MM X 2MM FOR 1MM PITCH CABLE



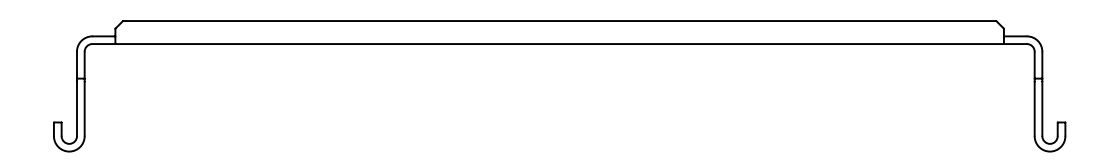
RECOMMENDED PIN PATTERN FOR STACKED CONFIGURATIONS



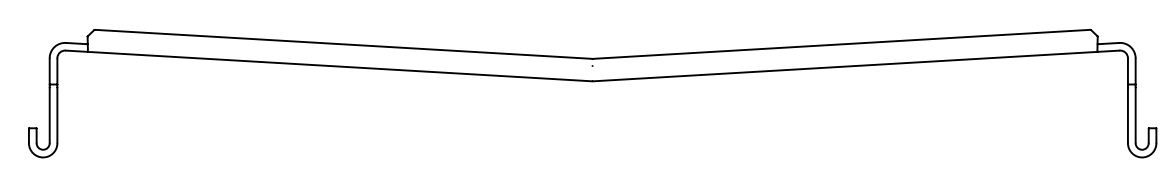
MATING PIN DETAIL



OPTIONAL KEYING PLUG (ORDER SEPARATELY)



OPTIONAL STRAIN RELIEF FOR POSITION 6 THRU 30



OPTIONAL STRAIN RELIEF FOR POSITION 34 AND UP

DESIGN REFERENCE	NEXT ASSEMBLY	REV	ECO	ISSUE DATE AND DESCRIPTION	DRFT	CHKD
		DRFT	CASTIGLIONE	DATE JUN 04, 2021	MFG	DATE
		CHKD		DATE	APPR	DATE
					F. RODRIGUEZ	JUN 04, 2021
DIVISION	DIVISION CODE	© 3M COPYRIGHT 2021 This document and the information it contains are 3M property and may not be reproduced or further distributed without 3M permission, or used or disclosed other than for 3M authorized purposes. All rights reserved.				
DO NOT SCALE DRAWING	SCALE 1	TOLERANCES EXCEPT AS NOTED INCHES .0 ± .1 .00 ± .01 .000 ± .005 .0000 ± .0002 MILLIMETERS 0 ± .0 ± .00 ± .000 ±				
THIRD ANGLE PROJECTION	INTERPRET PER ASME Y14.5 - 2018	TITLE WIREMOUNT SOCKET, 2MM X 2MM FOR 1MM PITCH CABLE, 1522 SERIES				
MAX SURFACE ROUGHNESS	ALL SURFACES	CAGE NUMBER	SIZE	DRAWING NO.	REV.	
<input checked="" type="checkbox"/> MARKED ONLY	ANGLES ±	D	78-5100-0523-0	H		
		MODEL	1522	DET	<input type="checkbox"/> YES <input checked="" type="checkbox"/> NO	SHT 3 OF 4

78-5100-0523-0
DRAWING NUMBER
REVISION

8 7 6 5 4 3 2 1

D
C
B
A

Regulatory: For regulatory information about this product, visit 3M.com/regs or contact your 3M representative.

Technical Information: The technical information, recommendations and other statements contained in this document are based upon tests or experience that 3M believes are reliable, but the accuracy or completeness of such information is not guaranteed.

Product Use: Many factors beyond 3M's control and uniquely within user's control can affect the use and performance of a 3M product in a particular application. Given the variety of factors that can affect the use and performance of a 3M product, user is solely responsible for evaluating the 3M product and determining whether it is fit for a particular purpose and suitable for user's method of application.

Warranty, Limited Remedy, and Disclaimer: Unless an additional warranty is specifically stated on the applicable 3M product packaging or product literature, 3M warrants that each 3M product meets the applicable 3M product specification at the time 3M ships the product. 3M MAKES NO OTHER WARRANTIES OR CONDITIONS, EXPRESS OR IMPLIED, INCLUDING, BUT NOT LIMITED TO, ANY IMPLIED WARRANTY OR CONDITION OF MERCHANTABILITY OR FITNESS FOR A PARTICULAR PURPOSE OR ANY IMPLIED WARRANTY OR CONDITION ARISING OUT OF A COURSE OF DEALING, CUSTOM OR USAGE OR TRADE. If the 3M product does not conform to this warranty, then the sole and exclusive remedy is, at 3M's option, replacement of the 3M product or refund of the purchase price.

Limitation of Liability: Except where prohibited by law, 3M will not be liable for any loss or damage arising from the 3M product, whether direct, indirect, special, incidental or consequential, regardless of the legal theory asserted, including warranty, contract, negligence or strict liability.

3M Company
Electronics Materials Solutions Division
13011 McCallen Pass, Bldg. C
Austin, TX 78753-5380
1-800-225-5373
www.3M.com/interconnect

DESIGN REFERENCE		NEXT ASSEMBLY		REV	ECO	ISSUE DATE AND DESCRIPTION	DRFT	CHKD
TOLERANCES EXCEPT AS NOTED		DIVISION CODE		DRFT	DATE	MFG	DATE	
DO NOT SCALE DRAWING		SCALE		CHKD	DATE	APPRV	DATE	
THIRD ANGLE PROJECTION		TOLERANCES EXCEPT AS NOTED		3M Center St. Paul, MN 55144		© 3M COPYRIGHT 2021 This document and the information it contains are 3M property and may not be reproduced or further distributed without 3M permission, or used or disclosed other than for 3M authorized purposes. All rights reserved.		
INTERPRET PER ASME Y14.5 - 2018		MILLIMETERS		TITLE		CAGE NUMBER		
MAX SURFACE ROUGHNESS		INCHES		WIREMOUNT SOCKET, 2MM X 2MM FOR 1MM PITCH CABLE, 1522 SERIES		DRAWING NO.		
MARKED ONLY		ANGLES		MODEL		REV.		
				1522		D 78-5100-0523-0 H		
						SHT 4 OF 4		

78-5100-0523-0
DRAWING NUMBER

REVISION

8 7 6 5 4 3 2 1