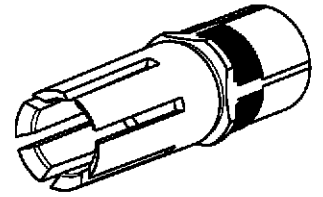
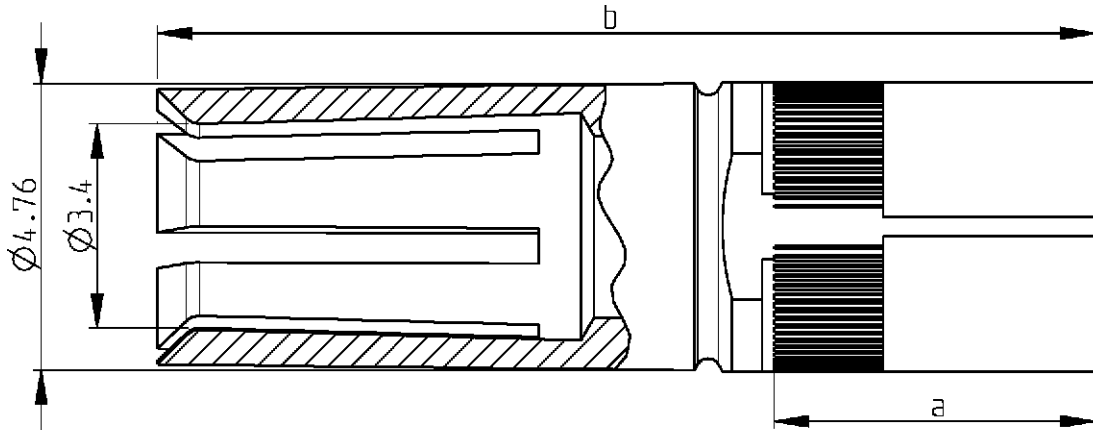


LOC	DIST	REVISIONS					
		P	LTR	DESCRIPTION	DATE	DWN	APVD
GW	-		A1	SR10-0170-01	26APR2001	BL	KM
			A2	SR10-0445-02	17OCT2002	KM	RL



3:1



1:1

2) Application : DIN 41612 type M

1) All dimensions are maximum unless otherwise specified.

Cross reference table						
Old part number	Tyco part number	Current	Material	Plating	dim a	dim b
C42334-A347-A180	1393590-1	40 A	CuBe	1 $\mu$ m Au or Pd in contact area	5.5	15.6
V23648-A62-B4	1393590-5	25 A	CuBe	1 $\mu$ m Au or Pd in contact area	6.5	16.1

2000

RELEASED FOR PUBLICATION

THIS DRAWING IS UNPUBLISHED.

BY TYCO ELECTRONICS CORPORATION. ALL RIGHTS RESERVED.

© COPYRIGHT 2000

DIMENSIONS: mm	DWN B. Lenvain	19APR2001	MATERIAL	-	FINISH	-
	CHK K. Mattheeuws	19APR2001	Tyco Electronics Dostkamp - Belgium			
TOLERANCES UNLESS OTHERWISE SPECIFIED:	APVD R. Leeman	19APR2001				
0 PLC #	PRODUCT SPEC	-	NAME High current socket with PCB connection			
1 PLC #	APPLICATION SPEC	-	SIZE	CAGE CODE	DRAWING NO	RESTRICTED TO
2 PLC #	WEIGHT	-	A 4	00779	©=1393590-1	-
3 PLC #			CUSTOMER DRAWING			
4 PLC #			SCALE	SHEET	OF	REV
ANGLES ±			8/1	1	1	A2