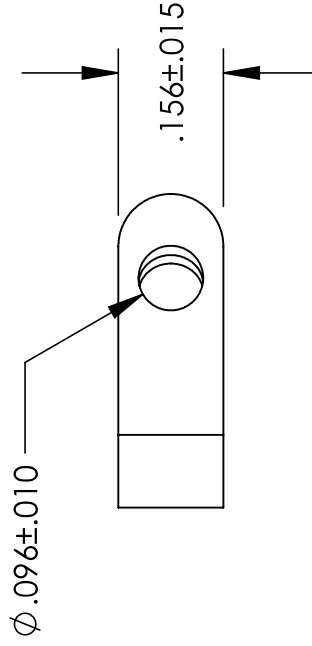
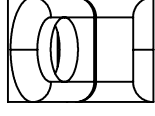
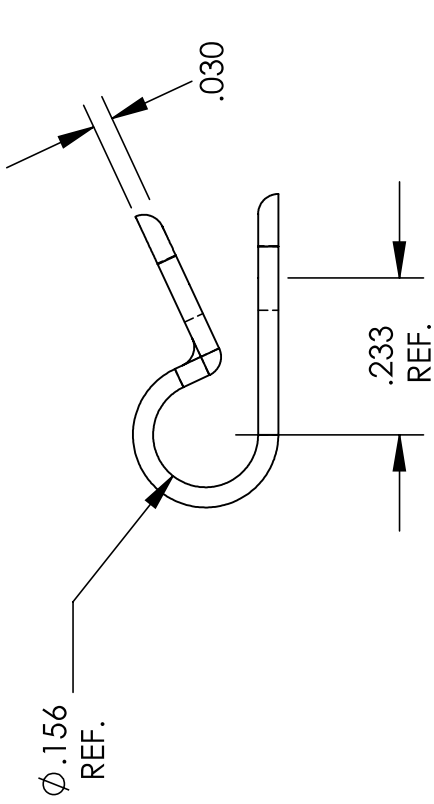


UNCONTROLLED DOCUMENT



WE RESERVE THE RIGHT
TO DISCONTINUE ITEMS,
CHANGE SPECIFICATIONS
OR DESIGN AT ANY TIME
WITHOUT NOTICE AND
WITHOUT INCURRING
ANY OBLIGATIONS

TOLERANCES UNLESS NOTED

- $\pm .005$ ON DIMENSIONS THRU $.625$
- $\pm .008$ ON DIMENSIONS $.626$ THRU 1.000
- $\pm .010$ ON DIMENSIONS 1.001 THRU 1.500
- $\pm .015$ ON DIMENSIONS LARGER THAN 1.500
- $\pm .015$ ON FRACTIONAL DIMENSIONS

PROPERTY OF

MICRO PLASTICS INC.

CATALOG DRAWING
MINIATURE CABLE CLAMP
MICRO P/N 22CC16A0156
DWG. # 22CC16A0156
FILE SERVER\ENG\WEB

MATERIAL: 6/6 NYLON

DATE: SCALE 3.5:1

DSB