

WiFi Antenna Module

APAMSJ-137

RoHS/RoHS II compliant

Lead in copper alloy exemption (6c); and Lead in glass exemption (7c-1)



44.0 x Ø9.6 mm

MSL level: Not Applicable

FEATURES:

- 5.0GHz WiFi
- VSWR 3:1
- Compact size only 44mm in length
- Linear Polarization
- SMA connector
- RoHS/RoHS II compliant

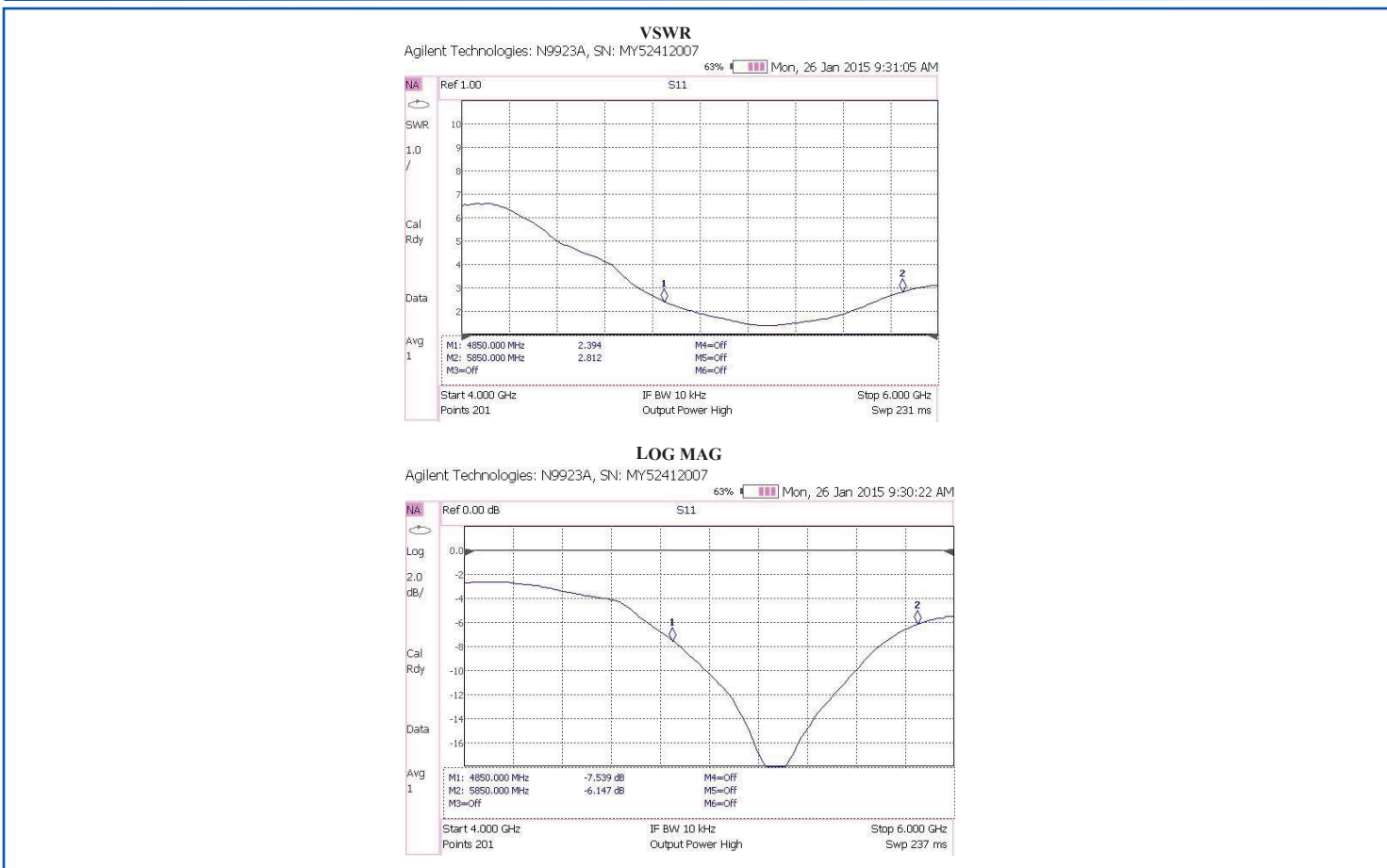
TYPICAL APPLICATIONS:

- WiFi 4.85 - 5.85GHz
- Routers
- Wireless Networks

STANDARD SPECIFICATIONS:

Parameters	Min.	Typ.	Max.	Units	Note
Frequency Range	4.85		5.85	GHz	WiFi
Bandwidth		1.0		GHz	
VSWR		3:1			
Polarization Model	Linear Polarization				
Impedance		50		Ω	
Gain			5	dBi	
Azimuth	Omni-Directional				
Operating Temperature	-40		+85	$^{\circ}\text{C}$	
Storage Temperature				$^{\circ}\text{C}$	

S11 CHARACTERISTICS



ABRACON IS
ISO9001:2008
CERTIFIED

ABRACON[®]
The Power of Linking Together

2 Faraday, Suite# B | Irvine | CA 92618 Revised: 04.28.15
Ph. 949.546.8000 | Fax. 949.546.8001
Visit www.abracon.com for Terms and Conditions of Sale

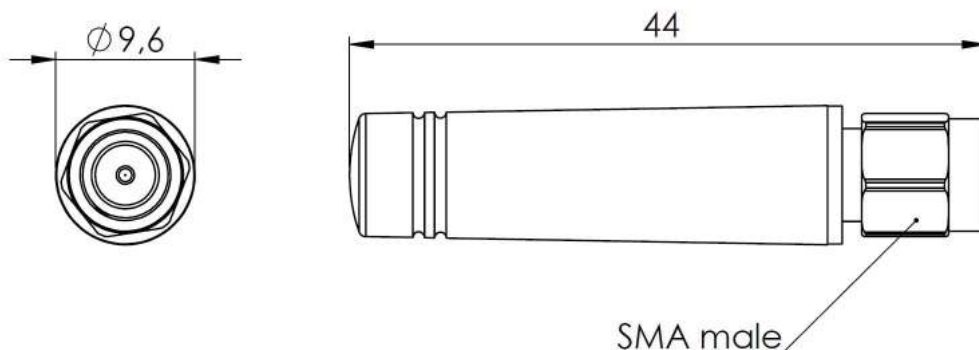
WiFi Antenna Module

APAMSJ-137

RoHS/RoHS II compliant
Lead in copper alloy exemption (6c); and Lead in glass exemption (7c-1)



OUTLINE DRAWING:



Parameters	Description
RF Connector	SMA-J3
Weight	6g
Enclosures	Plastic
Color	Black

PACKAGING:

Package Type	Quantity	Dimensions	Weight
Plastic bag	1 pcs/ Plastic bag	100 x 150 mm	6 g
Outer Box	1000 pcs/box	470 x 310 x 210 mm	7 kg

CAUTION:

- (1) Do not apply excess mechanical stress to the component body or terminations.
Do not attempt to re-form or bend the components as this will cause damage to them.
- (2) Do not expose the component to open flame.
- (3) This specification applies to the functionality of the component as a single unit.
Please evaluate your specifications before mounting this product.

ATTENTION: Abracon Corporation's products are COTS – Commercial-Off-The-Shelf products; suitable for Commercial, Industrial and, where designated, Automotive Applications. Abracon's products are not specifically designed for Military, Aviation, Aerospace, Life-dependant Medical applications or any application requiring high reliability where component failure could result in loss of life and/or property. For applications requiring high reliability and/or presenting an extreme operating environment, written consent and authorization from Abracon Corporation is required. Please contact Abracon Corporation for more information.

ABRACON IS
ISO9001:2008
CERTIFIED

 **ABRACON**[®]
The Power of Linking Together

2 Faraday, Suite# B | Irvine | CA 92618 **Revised: 04.28.15**
Ph. 949.546.8000 | Fax. 949.546.8001
Visit www.abracon.com for Terms and Conditions of Sale