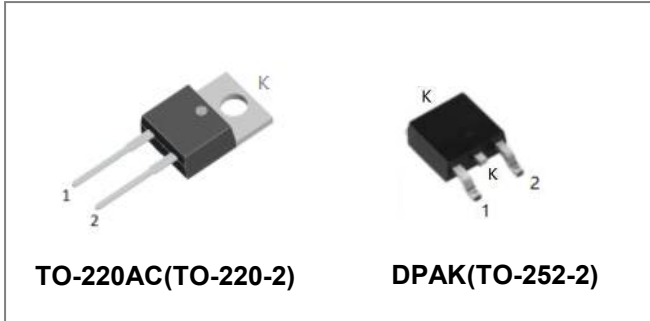


S4D08120A S4D08120E 1200V SIC POWER SCHOTTKY RECTIFIERS



Description

S4D08120A/S4D08120E are SiC Schottky rectifiers packaged in TO-220AC(TO-220-2)/DPAK(TO-252-2) case. The devices are high voltage Schottky rectifiers that have very low total conduction losses and very stable switching characteristics over temperature extremes. The S4D08120A/S4D08120E are ideal for energy sensitive, high frequency applications in challenging environments.

Circuit Diagram



Features

- 175°C T_J operation
- Ultra-low switching loss
- Switching speeds independent of operating temperature
- Low total conduction losses
- High forward surge current capability
- High package isolation voltage
- Terminals finish: 100% Pure Tin
- Pb – Free Device
- All SMC parts are traceable to the wafer lot
- Additional electrical and life testing can be performed upon request

Applications

- Alternative energy inverters
- Power Factor Correction (PFC)
- Free-Wheeling diodes
- Switching supply output rectification
- Reverse polarity protection

Maximum Ratings

Characteristics	Symbol	Condition	Max.	Units
Peak Repetitive Reverse Voltage Working Peak Reverse Voltage DC Blocking Voltage	V _{RRM} V _{RWM} V _R	-	1200	V
Average Rectified Forward Current	I _{F(AV)}	T _C =150°C	8	A
Peak One Cycle Non-Repetitive Surge Current	I _{FSM}	10ms, Half Sine pulse, T _J =25°C	64	A
Repetitive Peak Forward Surge Current	I _{FRM}	10 ms, Half Sine pulse, T _J =25°C	38	A

Electrical Characteristics:

Characteristics	Symbol	Condition	Typ.	Max.	Units
Forward Voltage Drop*	V _{F1}	@ 8A, Pulse, T _J = 25 °C	1.6	1.8	V
	V _{F2}	@ 8A, Pulse, T _J = 175 °C	2.2	3.0	V
Reverse Current*	I _{R1}	@V _R = rated V _R T _J = 25 °C	35	200	uA
	I _{R2}	@V _R = rated V _R T _J = 175 °C	100	350	uA
Junction Capacitance	C _T	VR=0V, T _J =25°C, f=1MHz	560	-	pF

* Pulse width < 300 μs, duty cycle < 2%

Thermal-Mechanical Specifications:

Characteristics	Symbol	S4D08120A	S4D08120E	Units
Junction Temperature	T _J	-55 to +175		°C
Storage Temperature	T _{stg}	-55 to +175		°C
Maximum Thermal Resistance Junction to Case	R _{qJC}	1.7	1.5	°C/W

Ordering Information

Device	Package	Shipping
S4D08120A	TO-220AC(TO-220-2)	50pcs / tube
S4D08120E	DPAK(TO-252-2)	2500pcs / reel

For information on tape and reel specifications, including part orientation and tape sizes, please refer to our tape and reel packaging specification.

Ratings and Characteristics Curves

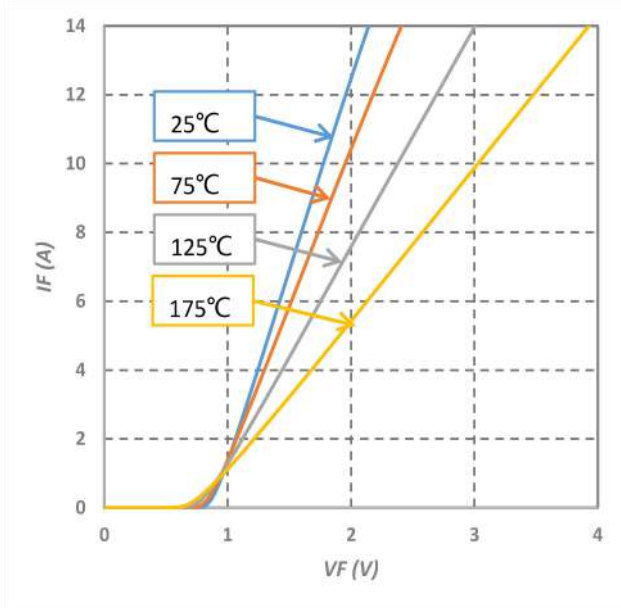


Fig.1-Typical Forward Voltage Characteristics

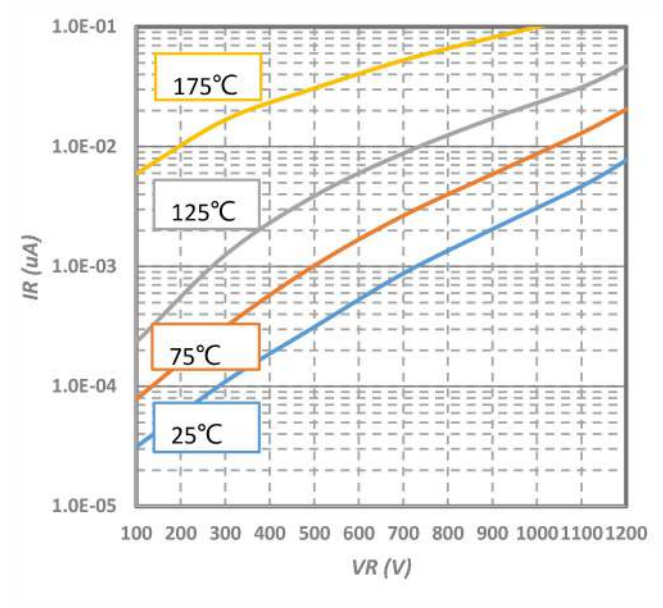


Fig.2-Typical Reverse Characteristics

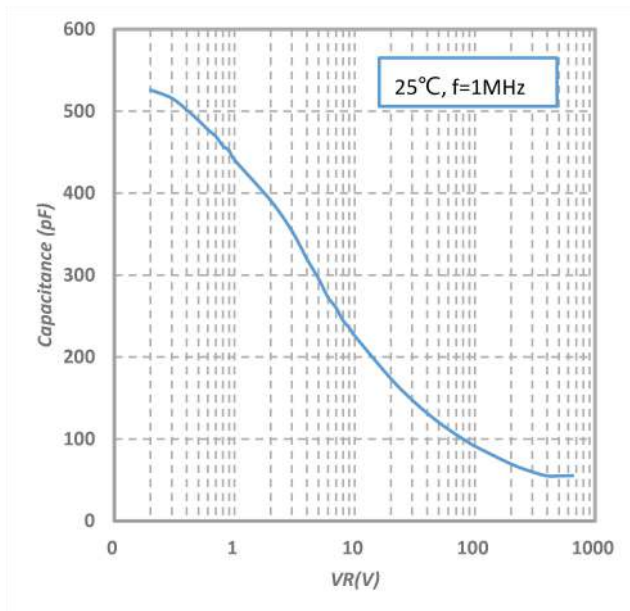
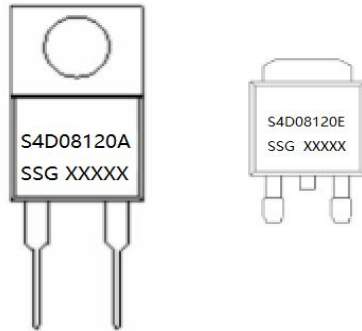


Fig.3-Capacitance vs. Reverse Voltage

Marking Diagram

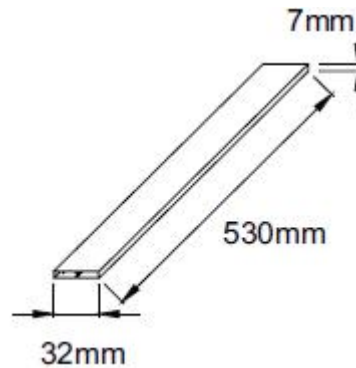


Where XXXXX is YYWWL

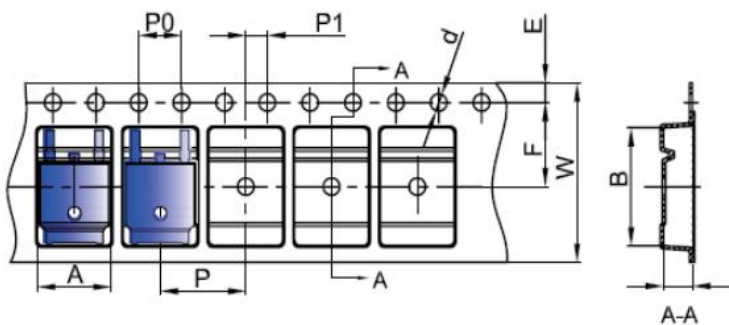
S4D = Device Type
A/E = Package type
08 = Forward Current (8A)
120 = Reverse Voltage (1200V)
SSG = SSG
YY = Year
WW = Week
L = Lot Number

Cautions: Molding resin
Epoxy resin UL:94V-0

Tube Specification(TO-220-2)

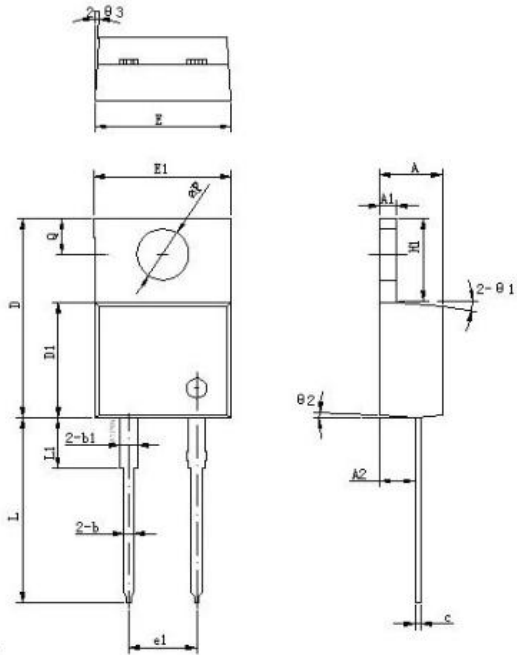


Carrier Tape & Reel Specification DPAK(TO-252-2)



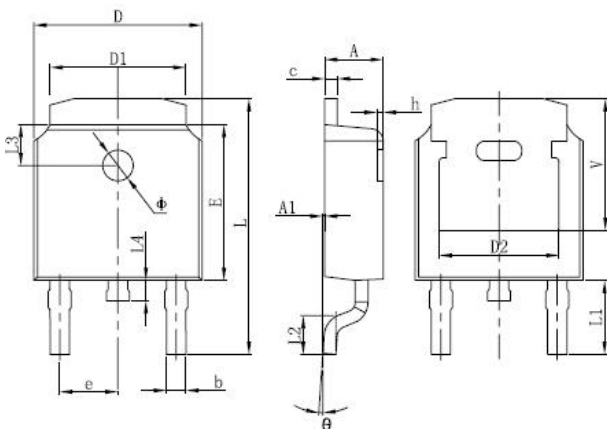
SYMBOL	Millimeters	
	Min.	Max.
A	6.80	7.00
B	10.40	10.60
C	2.60	2.80
d	Φ1.45	Φ1.65
E	1.65	1.85
F	7.40	7.60
P0	3.90	4.10
P	7.90	8.10
P1	1.90	2.10
W	15.90	16.30

Mechanical Dimensions TO-220AC(TO-220-2)



Symbol	Dimensions in millimeters		
	Min.	Typical	Max.
A	4.55	4.70	4.85
A1	1.17	1.27	1.37
A2	2.59	2.69	2.89
b	0.71	0.81	0.96
b1		1.27	
c	0.36	0.38	0.61
D	14.64	14.94	15.24
D1	8.55	8.70	8.90
E	10.01	10.16	10.31
E1	9.98	10.18	10.38
e1		5.08	
H1	6.04	6.24	6.44
L	13.00	13.86	14.08
L1		3.80	
ΦP	3.74	3.84	4.04
Q	2.54	2.74	2.94
Θ1		5°	
Θ2		4°	
Θ3		4°	

Mechanical Dimensions DPAK(TO-252-2)



SYMBOL	Millimeters		Inches	
	Min.	Max.	Min.	Max.
A	2.20	2.40	0.086	0.094
A1	0	0.13	0	0.005
b	0.635	0.889	0.025	0.035
c	0.460	0.889	0.018	0.035
D	6.50	6.70	0.250	0.265
D1	4.95	5.46	0.195	0.215
D2	4.32 REF.		0.170 REF.	
E	6.00	6.20	0.235	0.245
e	2.286 BSC		0.090 BSC	
L	9.398	10.414	0.370	0.410
L1	1.778 REF.		0.108 REF.	
L2	1.40	1.78	0.055	0.07
L3	1.60 REF.		0.063 REF.	
L4	0.60	1.02	0.024	0.040
Φ	1.10	1.30	0.043	0.051
Θ	0°	10°	0°	10°
h	0	0.30	0	0.012
V	5.21 REF.		0.205 REF.	

Technical Data
Data Sheet N2377, REV. A



DISCLAIMER:

- 1- The information given herein, including the specifications and dimensions, is subject to change without prior notice to improve product characteristics. Before ordering, purchasers are advised to contact the SMC Diode Solutions sales department for the latest version of the datasheet(s).
- 2- In cases where extremely high reliability is required (such as use in nuclear power control, aerospace and aviation, traffic equipment, medical equipment, and safety equipment), safety should be ensured by using semiconductor devices that feature assured safety or by means of users' fail-safe precautions or other arrangement.
- 3- In no event shall SMC Diode Solutions be liable for any damages that may result from an accident or any other cause during operation of the user's units according to the datasheet(s). SMC Diode Solution assumes no responsibility for any intellectual property claims or any other problems that may result from applications of information, products or circuits described in the datasheets.
- 4- In no event shall SMC Diode Solutions be liable for any failure in a semiconductor device or any secondary damage resulting from use at a value exceeding the absolute maximum rating.
- 5- No license is granted by the datasheet(s) under any patents or other rights of any third party or SMC Diode Solutions.
- 6- The datasheet(s) may not be reproduced or duplicated, in any form, in whole or part, without the expressed written permission of SMC Diode Solutions.
- 7- The products (technologies) described in the datasheet(s) are not to be provided to any party whose purpose in their application will hinder maintenance of international peace and safety nor are they to be applied to that purpose by their direct purchasers or any third party. When exporting these products (technologies), the necessary procedures are to be taken in accordance with related laws and regulations.