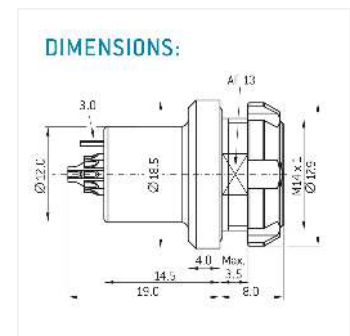
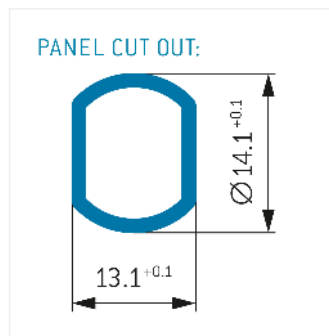


## General information

|                   |                     |
|-------------------|---------------------|
| Part number       | G81YCR-P14WCD0-000L |
| Termination       | solder              |
| Size              | 1                   |
| Locking principle | break , push        |
| Coding            | c_key_amc           |
| Cable Diameter    | cable_amc_1         |



## Contact insert description

|                      |         |
|----------------------|---------|
| Number of contacts   | 14      |
| Contact type         | sockets |
| Contact diameter     | 05mm    |
| Insulator material   | peek    |
| Wire cross section   | 26_awg  |
| Termination          | solder  |
| Termination diameter | 065mm   |

reverse\_gender\_on\_request

## Technical information

|                                |          |               |
|--------------------------------|----------|---------------|
| Nominal current single contact | 05_a     | iec_60512_5_2 |
| Nominal current insert         | 2,5 A    | vde_0298_4    |
| Test voltage                   | 06_kv_ac | eia_364_20f   |

safety\_text

## Mechanical and environmental data

|                       |              |
|-----------------------|--------------|
| Degree of protection* | ipsk8_ip6k9k |
| Operating temperature | 51_125_c     |
| Mating cycles         | 5000         |

mated

### Material and surface treatments

|                |               |
|----------------|---------------|
| <b>Housing</b> | ruthenium     |
| <b>Contact</b> | cu_alloy_gold |

safety\_text\_2  
ul\_text  
illustrative\_text