

4

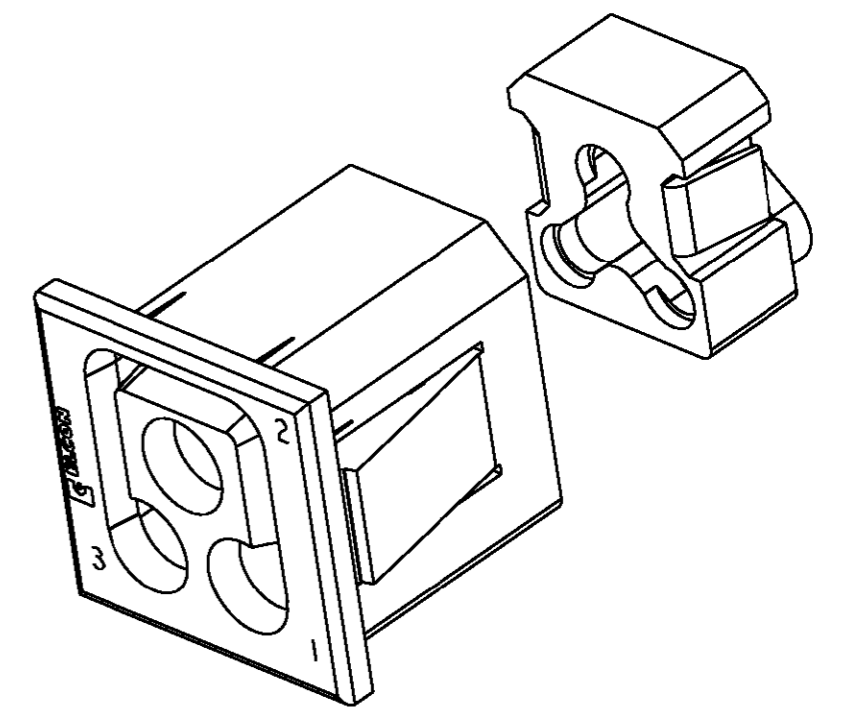
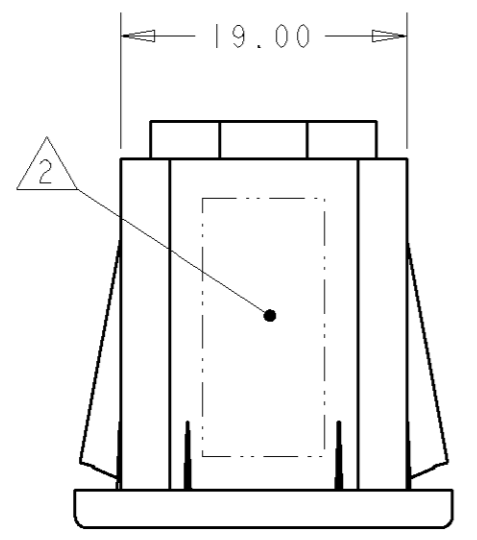
3

2

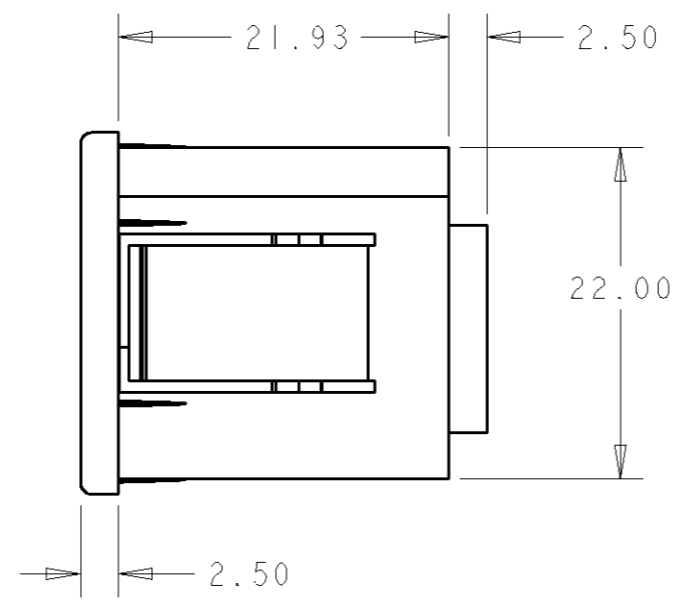
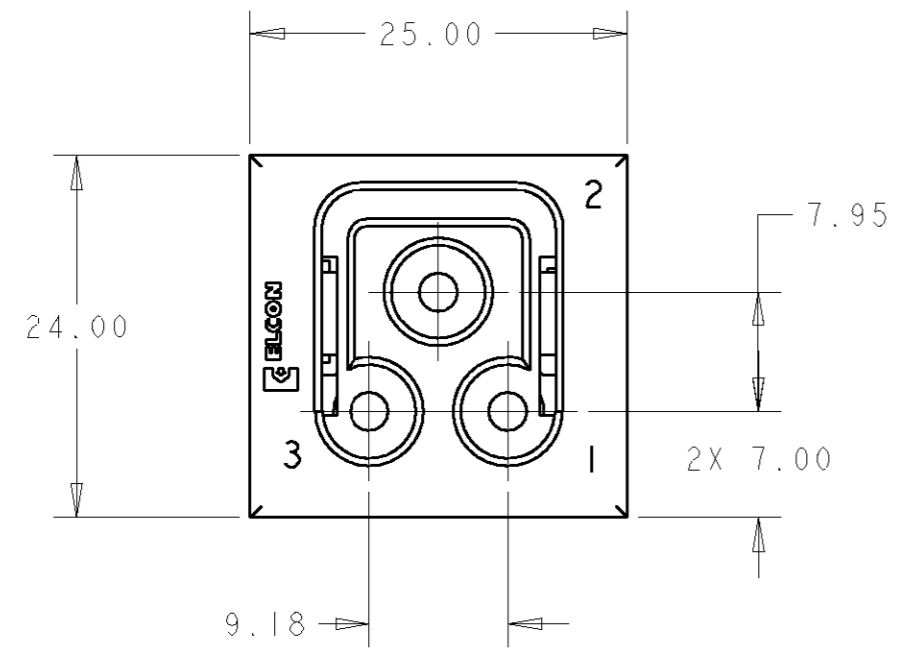
1

THIS DRAWING IS UNPUBLISHED. RELEASED FOR PUBLICATION 20  
 © COPYRIGHT 20 BY TYCO ELECTRONICS CORPORATION. ALL RIGHTS RESERVED.

LOC	DIST	REVISIONS				
P	LTR	DESCRIPTION	DATE	DWN	APVD	
GP	00	A	NEW RELEASE	06SEP2007	RG	DO



SCALE 2:1



AS SHOWN	1766447-1
DESCRIPTION	PART NO.

<small>THIS DRAWING IS A CONTROLLED DOCUMENT FOR TYCO ELECTRONICS CORPORATION          IT IS SUBJECT TO CHANGE AND THE CONTROLLING ENGINEERING ORGANIZATION          SHOULD BE CONTACTED FOR THE LATEST REVISION.</small>		DWN 06SEP2007 R.GRZYBOWSKI CHR 06SEP2007 D.ORRIS APVD 06SEP2007 S.FLICKINGER	<b>Tyco Electronics</b> Tyco Electronics Harrisburg, PA 17105-3608
DIMENSIONS: mm 	TOLERANCES UNLESS OTHERWISE SPECIFIED: 0 PLC ±- 1 PLC ±.5 2 PLC ±.25 3 PLC ±- 4 PLC ±- ANGLES ±-	PRODUCT SPEC - APPLICATION SPEC - WEIGHT -	NAME PIN CONNECTOR PANEL DISCONNECT SIZE No. 12 X 3, CRIMP STYLE
MATERIAL -	FINISH -	CUSTOMER DRAWING	SIZE A3 CAGE CODE 00779 DRAWING NO C-1766447 RESTRICTED TO -
AMP 1470-19 REV 31MAR2000		SCALE 2:1	SHEET 1 OF 2 REV A

4

3

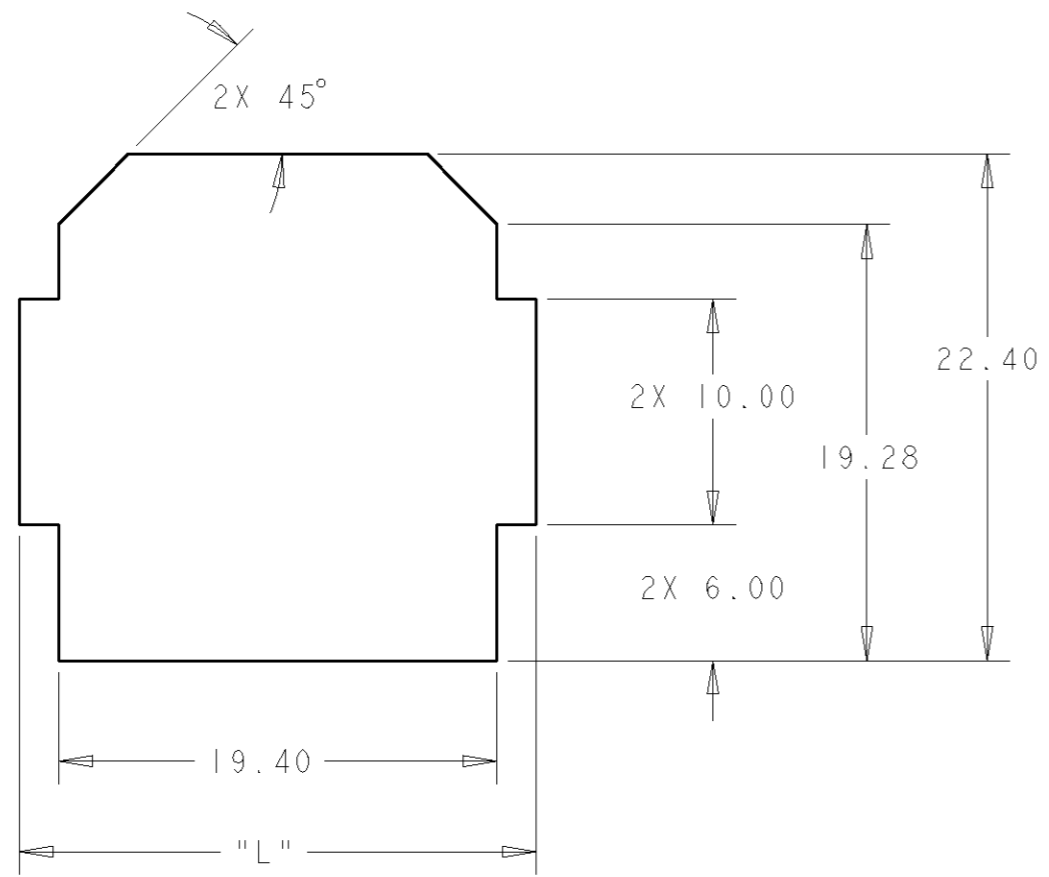
2

1

THIS DRAWING IS UNPUBLISHED. RELEASED FOR PUBLICATION 20  
 © COPYRIGHT 20 BY TYCO ELECTRONICS CORPORATION. ALL RIGHTS RESERVED.

LOC		DIST		REVISIONS			
P	LTR	DESCRIPTION		DATE	DWN	APVD	
GP	00	-	SEE SHEET 1	-	-	-	

22.87+0.2/-0.0	1.6±0.11
21.67+0.2/-0.0	1.2±0.08
20.74 +0.2/-0.0	1.0±0.08
19.82 +0.2/-0.0	0.8±0.07
L	PANEL THICKNESS



PANEL CUT-OUT

1. PART NUMBER CHANGES AND OR DESIGN CHANGES AFFECTING ITEM INTERCHANGEABILITY REQUIRE PRIOR TYCO ELECTRONICS APPROVAL AND AUTHORIZATION BY REVISION TO THIS DRAWING.

2. ITEMS PROVIDED TO THIS SPECIFICATION TO BE PERMANENTLY IDENTIFIED PER THE FOLLOWING IDENTIFIER:

YEAR    WEEK     
 TYCO ELECTRONICS P/N DATE CODE (e.g. 0325)  
 XXXXXX-X XXXX

3. MATERIAL:  
 INSULATOR: THERMOPLASTIC, GLASS REINFORCED, COLOR BLACK, UL94V-0, FLAMMABILITY

THIS DRAWING IS A CONTROLLED DOCUMENT FOR TYCO ELECTRONICS CORPORATION IT IS SUBJECT TO CHANGE AND THE CONTROLLING ENGINEERING ORGANIZATION SHOULD BE CONTACTED FOR THE LATEST REVISION.		DWN R. GRZYBOWSKI 06SEP2007	Tyco Electronics Harrisburg, PA 17105-3608
DIMENSIONS: mm		CHK D. ORRIS 06SEP2007	
TOLERANCES UNLESS OTHERWISE SPECIFIED: 0 PLC ±- 1 PLC ±.5 2 PLC ±.25 3 PLC ±- 4 PLC ±- ANGLES ±-		APVD S. FLICKINGER 06SEP2007	NAME PIN CONNECTOR PANEL DISCONNECT SIZE No. 12 X 3, CRIMP STYLE
MATERIAL -		PRODUCT SPEC -	RESTRICTED TO -
FINISH -		APPLICATION SPEC -	SIZE A3 CAGE CODE 00779 C=1766447
		WEIGHT -	SCALE 2:1 SHEET 2 OF 2 REV A
		CUSTOMER DRAWING	