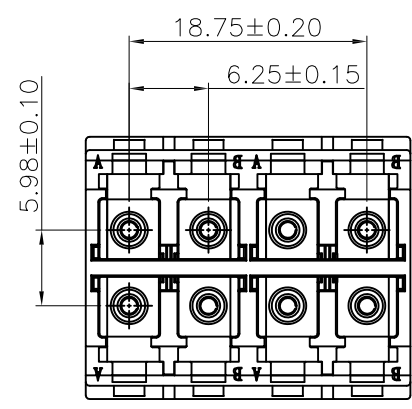
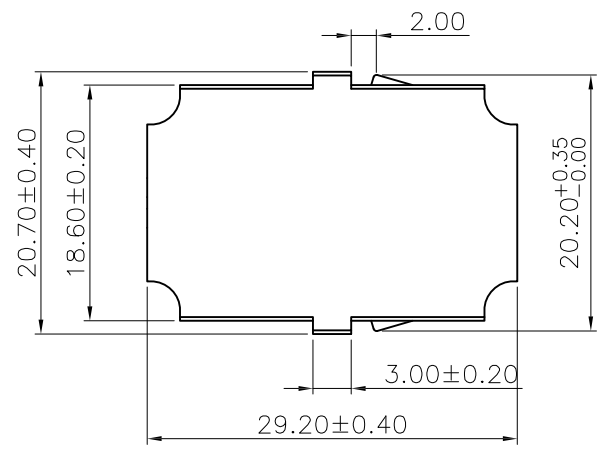
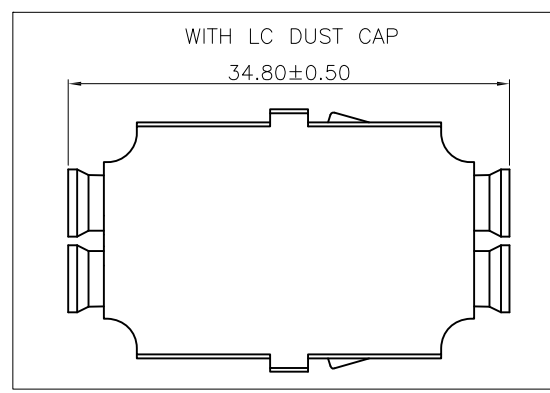
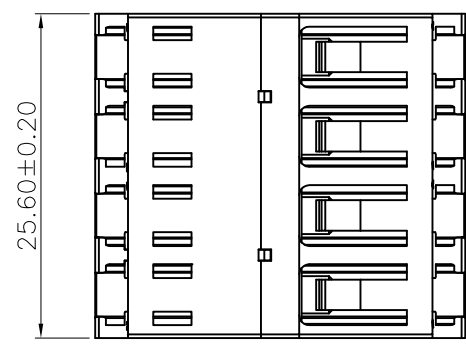


6	5	4	3	2	1
APPROVED: _____			Rev	AWO #	Description
DATE: _____ TITLE: _____			-		RELEASED
					Date
					9/9/20
					Appr



SPECIFICATIONS:

Material:
Housing: PBT, rated UL 94V-0, Color: Blue
Cap: PP, rated UL 94V-0, Color: White
Electrical:
Standards of IEC 61754-20, YD/T 1272.1-2003
Repeatability: 500 min Cycles
Insertion loss: 0.2dB max
Interchangeability: 0.2dB
Temperature Rating:
Operating temperature: -40°C to +85°C
Environmental:
Lead free, RoHS compliant.



UNLESS OTHERWISE SPECIFIED ALL DIMENSIONS ARE MILLIMETERS TOLERANCES: EXCEPT AS NOTED		
MM	ANGLE	
X. ± 0.35	X.* ± 2°	
.X ± 0.30	.X* ± 1°	
.XX ± 0.25	.XX* ± 0.5°	
.XXX ± 0.15	.XXX* ± 0.5°	
APPROVALS		DATE
DRAWN	LH	9/9/20
CHECKED	JL	9/9/20
APPROVED		

ADAM TECH INTERCONNECTS 909 Rahway Avenue,
Union, NJ 07083
Phone: 908-687-5000
Fax: 908-687-5710

TITLE		
OPTICAL LC ADAPTERS, PC, DUAL ROW, 2*4 PORTS, SHORT EARS, WITH LC DUST CAP		
SIZE	PART NO.	REV.
X	OPLB8SBNNC1NA	-
REF:	S00005C	SCALE: NTS
		SHEET 1 OF 1