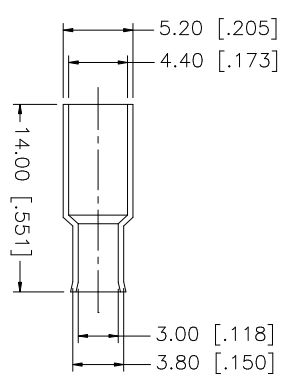
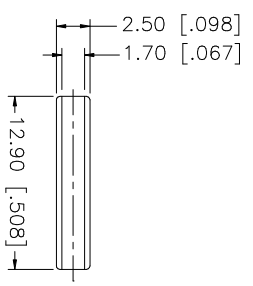
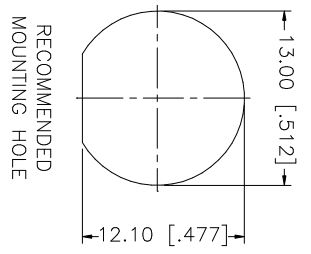
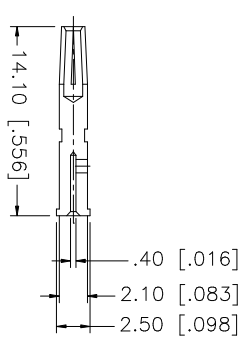
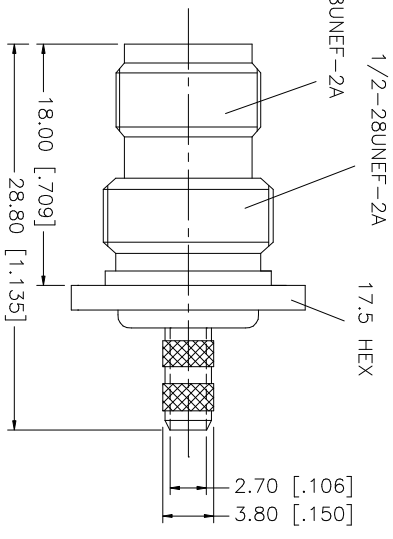
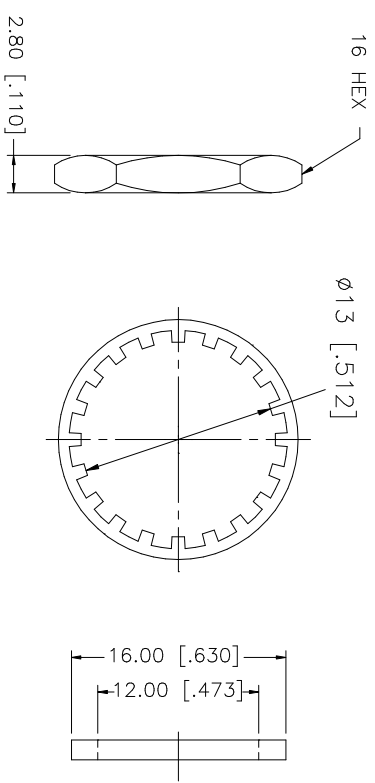
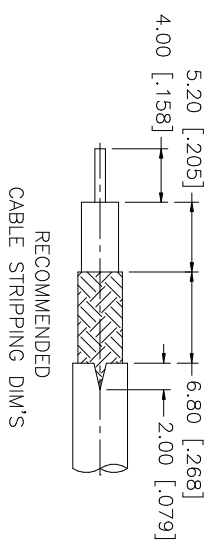


| REV. | DATE | DESCRIPTION |
|------|----------|-----------------------|
| A | 06/01/06 | UPDATE DRAWING FORMAT |



| DESCRIPTION | MATERIAL | FINISH | QTY | DO NOT SCALE DRAWING |
|------------------|--------------|---------|-----|---|
| 1 INSULATOR BODY | BRASS | NICKEL | 1 | 1.180 - 4.724 = ± 0.020" |
| 2 INSULATOR | DELIRIN | NATURAL | 1 | .020 - .315 = ± 0.007" |
| 3 CONTACT PIN | PHOS. BRONZE | GOLD | 1 | .315 - 1.180 = ± 0.015" |
| 4 GASKET | SILICONE | RED | 1 | 1.180 - 4.724 = ± 0.020" |
| 5 LOCK WASHER | BRASS | NICKEL | 1 | UNLESS OTHERWISE SPECIFIED DIMENSIONS ARE IN MILLIMETERS DIMENSIONS IN [] ARE IN INCHES AND FOR CUSTOMER REFERENCE ONLY. |
| 6 HEX NUT | BRASS | NICKEL | 1 | UNLESS OTHERWISE SPECIFIED TOLERANCES FOR MILLIMETERS ARE: |
| 7 INSULATOR | DELIRIN | NATURAL | 1 | 0.5 - 8mm ± 0.20mm |
| 8 FERRULE | COPPER | NICKEL | 1 | 8 - 30mm ± 0.40mm |

| APPROVALS | DATE |
|--------------|----------|
| DRAWN G.R.S. | 06/01/06 |
| CHECKED | |
| ISSUED | |
| SHEET 1 OF 1 | |

Amphenol Connex

TNC BULKHEAD CRIMP JACK
(RG-179/U, 187/U CABLE)

PART NO. 122193

CAD FILE C:/122/122193.DWG DWG. NO. 122193.DWG REV. A SIZE A SCALE NA