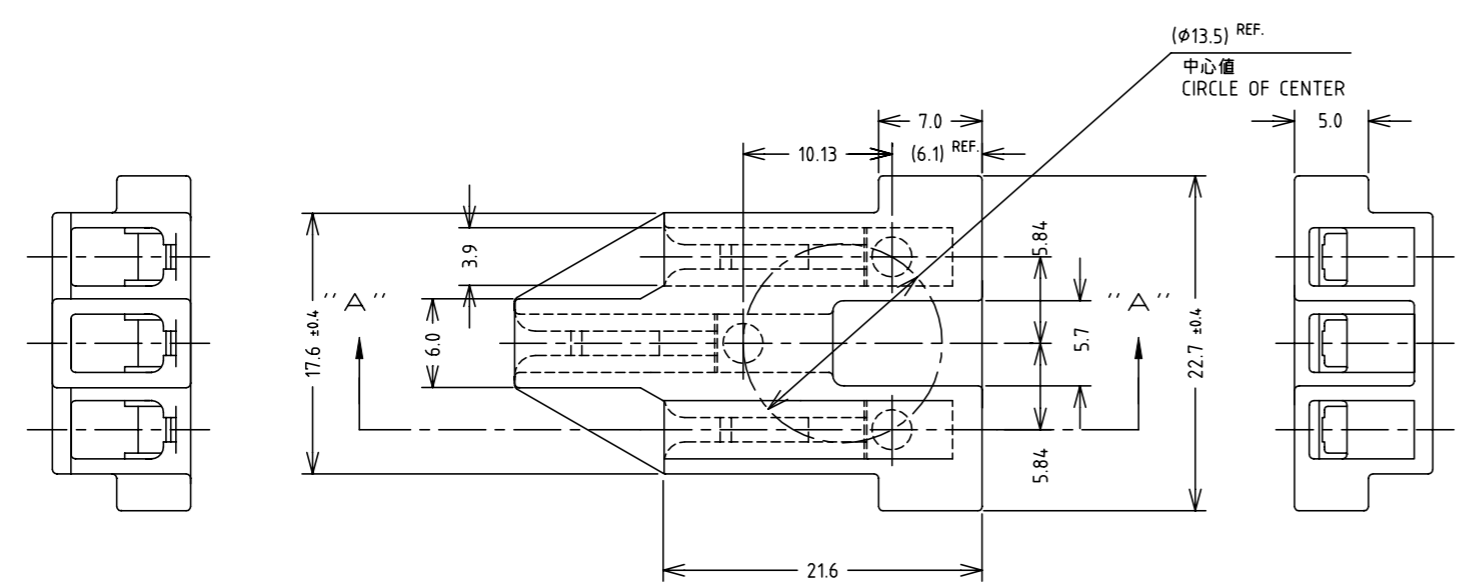


THIS DRAWING IS UNPUBLISHED. RELEASED FOR PUBLICATION MAY, 21 . ALL RIGHTS RESERVED.

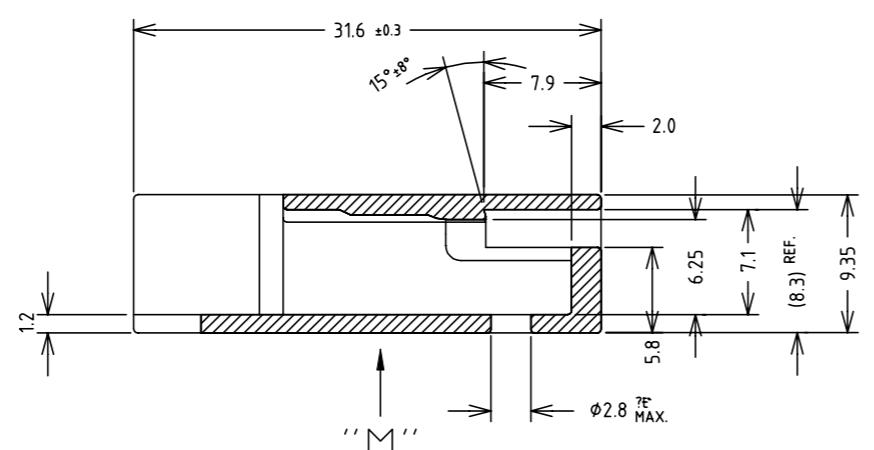
LOC	DIST	REVISIONS					
		P	LTR	DESCRIPTION	DATE	DWN	APVD
J	-	R1		ALTERNATE RESIN UPDATE FOR 1-171370-2	12MAR2020	SE	PKS



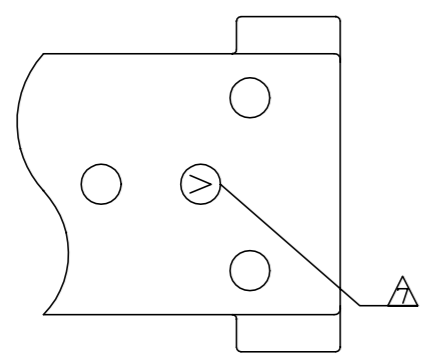
- 注記:
- 一般公差 : ±0.2
  - 適用ピン リセプタクル型番 : □ -170063-□ , □ -353937-□ , □ -1123655-□
  - 適用規格番号 : 108-5143 (型番1-171370-1)
- 裏面上I.Dマーク : 型番1-171370-1のみ M 表示 文字の向きは任意とする。
  - ミュールスRタイプ : UL94V-0 , CTI 600V
  - フェノール ノンアンモニア : UL94V-0 , CTI 175 ~ 249V以上
  - 裏面上I.Dマーク : 型番1-171370-2のみ L 表示 文字の向きは任意とする。

- NOTES:
- GENERAL TOLERANCE ±0.2
  - APPLICABLE CONTACT PART No.: □ -170063-□ , □ -353937-□ , □ -1123655-□
  - PRODUCT SPEC No.: 108-5143(1-171370-1)

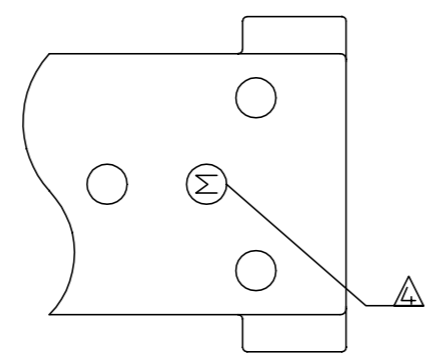
- I.D MARK ON REAR SIDE : INDICATION M AT PART No.1-171370-1 ONLY. DIRECTION OF CHARACTERS IS FREE.
- MEWLUS "R" TYPE : UL94V-0 , CTI 600V MIN
- PHENOLIC NONAMMONIA UL94V-0 , CTI 175 ~ 249V
- I.D MARK ON REAR SIDE : INDICATION L AT PART No.1-171370-2 ONLY. DIRECTION OF CHARACTERS IS FREE.



断面 "A" - "A" SECT



矢視 "M" 1-171370-2 VIEW



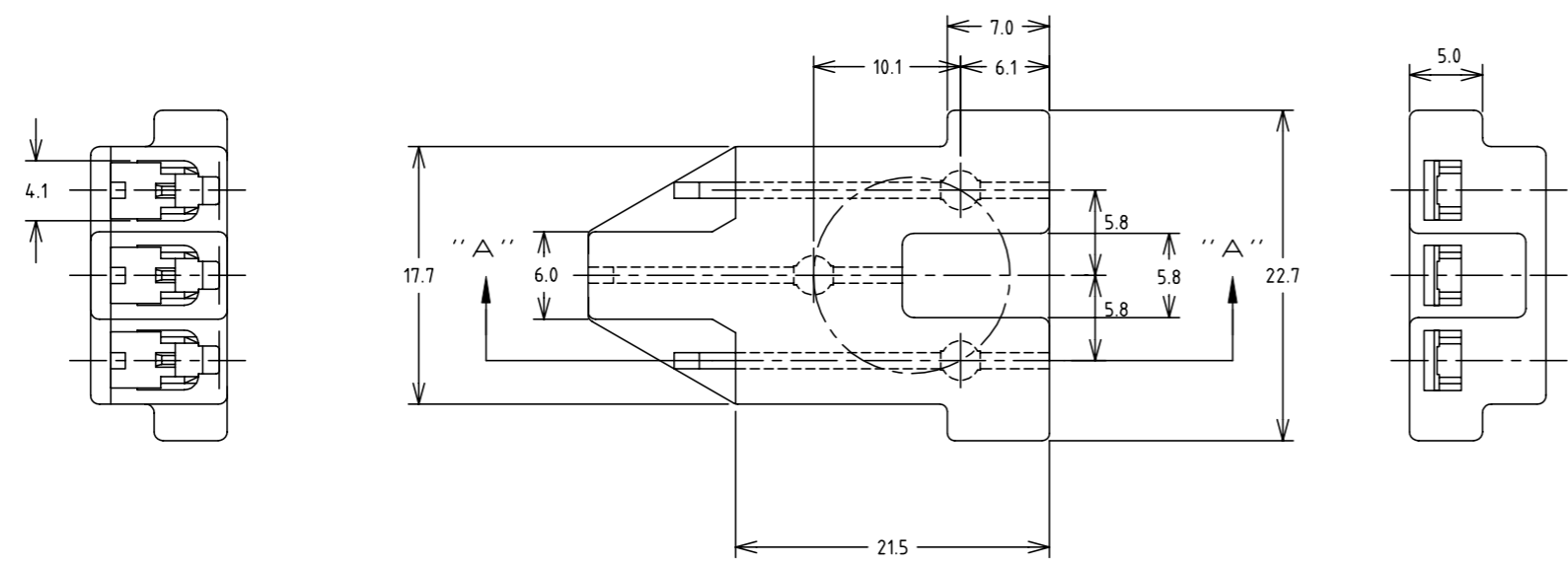
矢視 "M" 1-171370-1 VIEW

△ 1-171370-2	△ フェノール (PHENOLIC)	黒 (BLACK)
△ 1-171370-1	△ ミュールス Rタイプ (MEWLUS "R" TYPE)	黒 (BLACK)
型番 (PART No.)	材料 (MATERIAL)	色 (COLOR)

THIS DRAWING IS A CONTROLLED DOCUMENT.		DWN M.SUZUKI 21MAY2002	<b>STE</b> TE Connectivity	
DIMENSIONS: 単位: 耗 mm		CHK M.SHINDO 21MAY2002		
TOLERANCES UNLESS OTHERWISE SPECIFIED: 一般公差		APVD M.SHINDO 21MAY2002	NAME 名称 2.3 DIA CLUSTER BLOCK	
0 PLC ± -		PRODUCT SPEC 製品規格	Φ2.3 クラスタブロック	
1 PLC ± -		APPLICATION SPEC 取付適用規格	SIZE A3	
2 PLC ± -		WEIGHT	CAGE CODE 00779	DRAWING NO 番号 C=171370
3 PLC ± -		CUSTOMER DRAWING	RESTRICTED TO -	
4 PLC ± -			SCALE 尺度 4:1	SHEET 1 of 3
ANGLES ± -				
FINISH 仕上				
MATERIAL 材料 SEE TABLE				

THIS DRAWING IS UNPUBLISHED. RELEASED FOR PUBLICATION MAY, 21 .  
 © COPYRIGHT 02 By - ALL RIGHTS RESERVED.

LOC	DIST	REVISIONS					
J		P	LTR	DESCRIPTION	DATE	DWN	APVD
		-	-	SEE SHEET 1	-	-	-



注記:

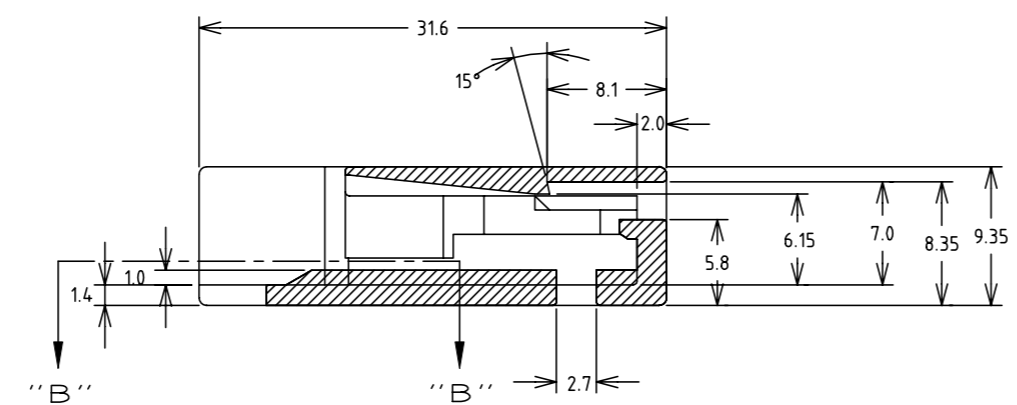
- 一般公差 : ±0.2
- 適用ピン リセプタクル型番 : □-170063-□ , □-353937-□ , □-1123655-□
- 適用規格番号: 108-5205(型番171370-3)  
108-61239(型番171370-4)  
108-5541(型番171370-5)

- △4 PARTS COMPLY WITH GLOW WIRE 750 PER IEC 60335-1.
- △5 MUST BE APPLIED ON THE OUTSIDE OF COMPRESSOR.

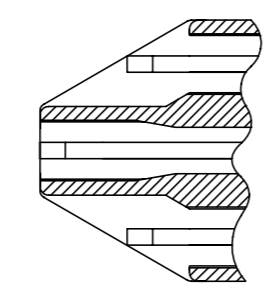
NOTES:

- GENERAL TOLERANCE ±0.2
- APPLICABLE CONTACT PART No.:  
□-170063-□ , □-353937-□ , □-1123655-□
- PRODUCT SPEC No.: 108-5205(FOR PART No.171370-3)  
108-61239(FOR PART No.171370-4)  
108-5541(FOR PART No.171370-5)

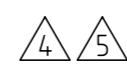
- △4 GLOW WIRE 750(IEC 60335-1), CTI 600V(HALOGEN FREE)
- △5 MUST BE APPLIED ON THE OUTSIDE OF COMPRESSOR.



断面 "A" - "A"  
SECT



断面 "B" - "B"  
SECT



171370-5	PBT ガラス強化 PBT GLASS FILLED(UL94V-0)	灰色 (GRAY)
171370-4	PBT ガラス強化 PBT GLASS FILLED(UL94V-0)	黒 (BLACK)
171370-3	PBT ガラス強化 PBT GLASS FILLED(UL94HB)	自然色 (NATURAL)
型番 (PART No.)	材 料 (MATERIAL)	色 (COLOR)

THIS DRAWING IS A CONTROLLED DOCUMENT.		DWN					
DIMENSIONS: 単位: 耗 mm		CHK				NAME 名称	
TOLERANCES UNLESS OTHERWISE SPECIFIED: 一般公差		APVD				2.3 DIA CLUSTER BLOCK Φ2.3 クラスタブロック	
0 PLC ± 1 PLC ± 2 PLC ± 3 PLC ± 4 PLC ± ANGLES ±		PRODUCT SPEC 製品規格 SEE NOTE 3				SIZE	CAGE CODE
MATERIAL 材料 SEE TABLE		FINISH 仕上	WEIGHT	A3	00779	G=171370	-
CUSTOMER DRAWING			SCALE 尺度	4:1	SHEET	2 of 3	REV R1

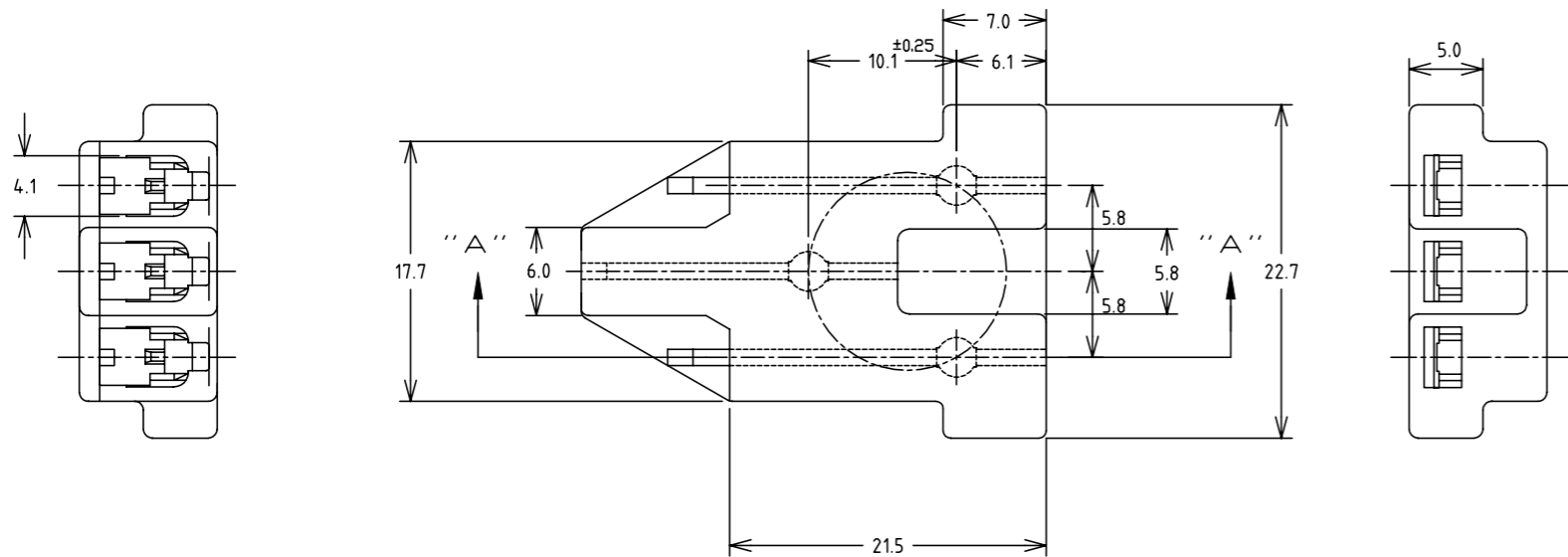
THIS DRAWING IS UNPUBLISHED.

RELEASED FOR PUBLICATION MAY, 21 .

© COPYRIGHT 02 By -

ALL RIGHTS RESERVED.

LOC	DIST	REVISIONS 変更					
J		P	LTR	DESCRIPTION	DATE	DWN	APVD
		-	-	SEE SHEET 1	-	-	-

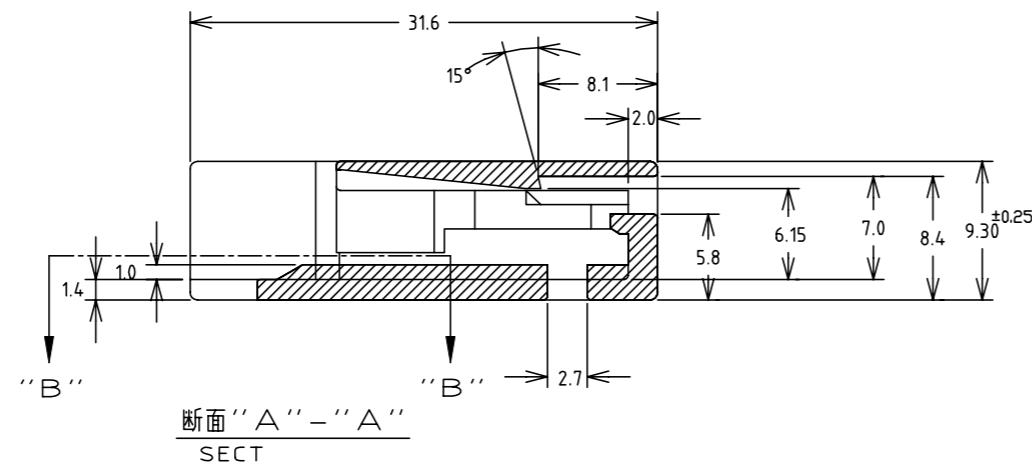


注記:

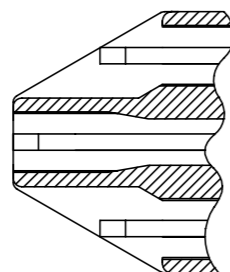
1. 一般公差 : ±0.2
2. 適用ピン リセプタクル型番 : □-170063-□, □-353937-□, □-1123655-□
3. 適用規格番号: 108-140004 (型番171370-7)
4. PRELIMINARY-NOT FOR PRODUCTION
5. PARTS COMPLY WITH GLOW WIRE REQUIREMENTS DETAILED IN IEC 60335-1

NOTES:

1. GENERAL TOLERANCE ±0.2
2. APPLICABLE CONTACT PART No. : □-170063-□, □-353937-□, □-1123655-□
3. PRODUCT SPEC No.: 108-140004 (FOR PART No.171370-7)
4. PRELIMINARY-NOT FOR PRODUCTION
5. PARTS COMPLY WITH GLOW WIRE REQUIREMENTS DETAILED IN IEC 60335-1
6. PRELIMINARY PART



断面 "A" - "A" SECT



断面 "B" - "B" SECT

△6	171370-8	PPS (UL94V-0)	(NATURAL)
△5	171370-6	PA 6 GLASS FILLED	自然色 (NATURAL)
	171370-7	液晶ポリマー (UL94V-0) LCP (UL94V-0)	自然色 (NATURAL)
	型番 (PART No.)	材料 (MATERIAL)	色 (COLOR)

THIS DRAWING IS A CONTROLLED DOCUMENT.		DWN	TE Connectivity NAME 名称 2.3 DIA CLUSTER BLOCK Φ2.3 クラスターブロック			
DIMENSIONS: 単位: 耗 mm		CHK				
TOLERANCES UNLESS OTHERWISE SPECIFIED: 一般公差		APVD				
0 PLC ± 1 PLC ± 2 PLC ± 3 PLC ± 4 PLC ± ANGLES ±		PRODUCT SPEC 製品規格 SEE NOTE 3				
MATERIAL 材料 SEE TABLE	FINISH 仕上	APPLICATION SPEC 取付適用規格	SIZE	CAGE CODE	DRAWING NO 番号 A3 00779 C=171370	RESTRICTED TO
CUSTOMER DRAWING			WEIGHT	SCALE 尺度 4:1	SHEET 3 of 3	REV R1