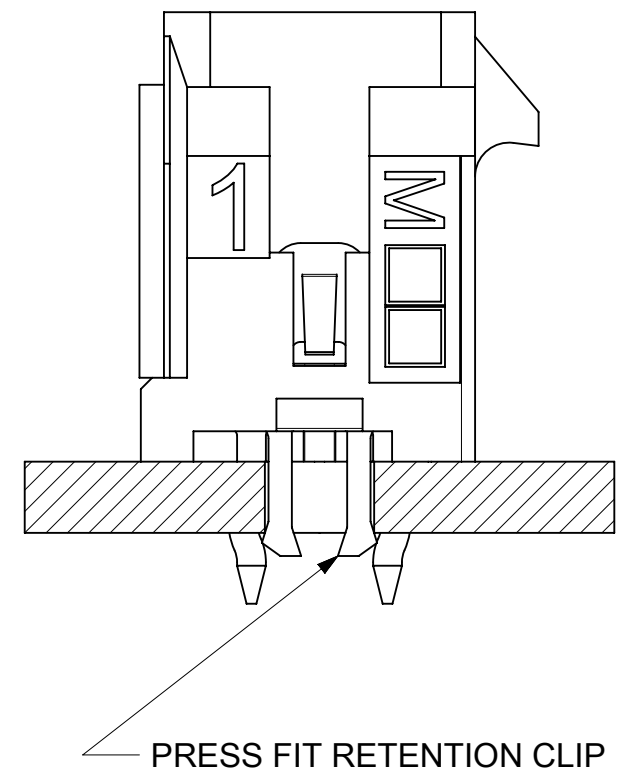


PCB LAYOUT: COMPONENT SIDE
RECOMMEND PCB THICKNESS .062/1.57



CKTS	A	B	C	D
02	.262 6.65	NA	.236 6.00	.169 4.30
04	.380 9.65	.118 3.00	.354 9.00	.287 7.30
06	.498 12.65	.236 6.00	.472 12.00	.405 10.30
08	.616 15.65	.354 9.00	.591 15.00	.524 13.30
10	.734 18.65	.472 12.00	.709 18.00	.642 16.30
12	.852 21.65	.591 15.00	.827 21.00	.760 19.30
14	.970 24.65	.709 18.00	.945 24.00	.878 22.30
16	1.088 27.65	.827 21.00	1.063 27.00	.996 25.30
18	1.206 30.65	.945 24.00	1.181 30.00	1.114 28.30
20	1.325 33.65	1.063 27.00	1.299 33.00	1.232 31.30
22	1.443 36.65	1.181 30.00	1.417 36.00	1.350 34.30
24	1.561 39.65	1.299 33.00	1.535 39.00	1.469 37.30

NOTES:

- HOUSING MATERIAL: GLASS FILLED LIQUID CRYSTAL POLYMER, UL94V-0, COLOR: BLACK
TERMINAL MATERIAL: BRASS ALLOY
- FINISH:
A = .000060/(0.00152) MIN. REFLOWED MATTE TIN OVER
.000050/(0.00127) MIN. NICKEL PLATE.
(FINISH IS BRIGHT IN APPEARANCE, THICKNESS AS APPLIED PRIOR TO REFLOW)
B = .000015/(0.00038) MIN. SELECT GOLD IN CONTACT AREA;
.000100/(0.00254) MIN. SELECT MATTE TIN ON SOLDER TAILS;
BOTH OVER .000050/(0.00127) MIN. NICKEL PLATE.
C = .000030/(0.00076) MIN. SELECT GOLD IN CONTACT AREA;
.000100/(0.00254) MIN. SELECT MATTE TIN ON SOLDER TAILS;
BOTH OVER .000050/(0.00127) MIN. NICKEL PLATE.
- PRODUCT SPECIFICATION: PS-43045
- PACKAGING: TAPE AND REEL (WITHOUT CAPS) PER 430450009-PK.
- MATES WITH MICRO FIT (3.0) RECEPTACLE SERIES 43025
- CIRCUIT SIZES 2-6: "D" IS .265/6.74 FOR .010/0.25 STEP
CIRCUIT SIZES 8-24: "D" IS .063/1.60 FOR .010/0.25 STEP.
- TO MINIMIZE INSERTION FORCE OF MOUNTING CLIPS DURING ROBOTIC PLACEMENT THE HOLE DIAMETER CAN BE INCREASED TO .108±.002/ 2.74±0.05 AND THEN EVALUATED PER PLACEMENT EQUIPMENT.
- THIS PART CONFORMS TO CLASS B REQUIREMENTS OF COSMETIC SPECIFICATION PS-45499-002.
- TEXT ON PART IS FOR REFERENCE ONLY. TEXT AND TEXT LOCATION MAY VARY DEPENDING ON PART NUMBER AND/OR TOOL
- FOR BEST RETENTION TO PCB, HOLES FOR CLIPS SHOULD BE PTH AND CLIPS SHOULD BE SOLDERED

CKTS	TOOLED	FINISH A MATERIAL NO:	FINISH B MATERIAL NO:	FINISH C MATERIAL NO:
02	YES		43045-0294	43045-0308
04	YES		43045-0494	43045-0508
06	YES		43045-0694	43045-0708
08	YES		43045-0894	43045-0908
10	YES		43045-1094	43045-1108
12	YES		43045-1294	43045-1308
14	YES		43045-1494	43045-1508
16	YES		43045-1694	43045-1708
18	YES		43045-1894	43045-1908
20	YES		43045-2094	43045-2108
22	NO		43045-2294	43045-2308
24	YES		43045-2494	43045-2508

FUNCTIONAL SYMBOLS: $F_A = 0$, $F_C = 0$, $F_P = 0$

DIVISIONAL SYMBOLS: 4 PLACES ±, 3 PLACES ±, 2 PLACES ±, 1 PLACE ±, 0 PLACES ±

THIS DRAWING CONTAINS INFORMATION THAT IS PROPRIETARY TO MOLEX ELECTRONIC TECHNOLOGIES, LLC AND SHOULD NOT BE USED WITHOUT WRITTEN PERMISSION

SCALE: INCH/MM NTS

GENERAL TOLERANCES (UNLESS SPECIFIED):

	MM	INCH
4 PLACES ±	±	±
3 PLACES ±	±	± 0.01
2 PLACES ±	± 0.25	± 0.014
1 PLACE ±	± 0.36	±
0 PLACES ±	±	±

ANGULAR TOL ± 0.5°

DRAFT WHERE APPLICABLE MUST REMAIN WITHIN DIMENSIONS

THIRD ANGLE PROJECTION

DRAWING: C-SIZE

SERIES: 43045

CURRENT REV DESC: REDRAW, ADD NOTE 10

EC NO: 736143
DRWN: SETHH6
CHK'D: MKIPPER
APPR: FSMITH

INITIAL REVISION:
DRWN: MMSTROH
APPR: FSMITH

2022/12/14
2023/01/24
2023/01/26

2012/01/24
2012/10/29

molex

MICROFIT(3.0) VERT THRU HOLE CLIP - TAPE DUAL ROW HEADER, WITHOUT VACUUM CAP

PRODUCT CUSTOMER DRAWING

DOCUMENT NUMBER: SD-43045-035
DOC TYPE: PSD
DOC PART: 001
REVISION: A6

MATERIAL NUMBER: SEE CHART
CUSTOMER: GENERAL MARKET
SHEET NUMBER: 1 OF 1