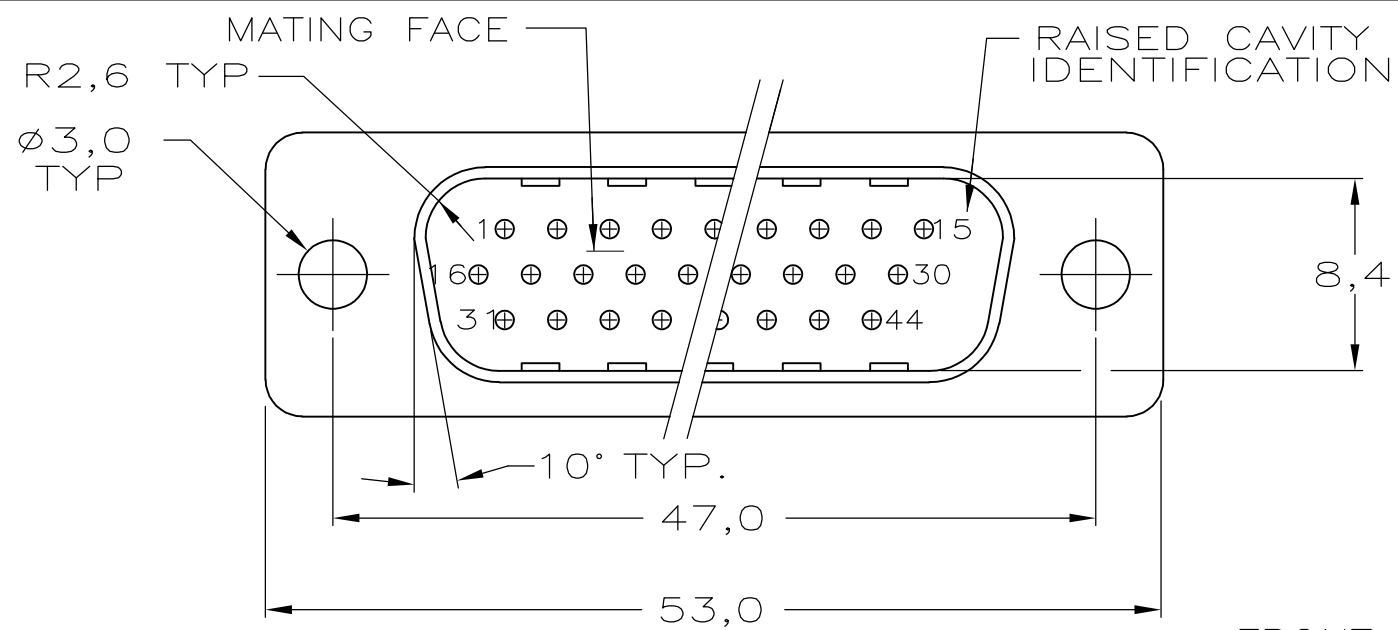
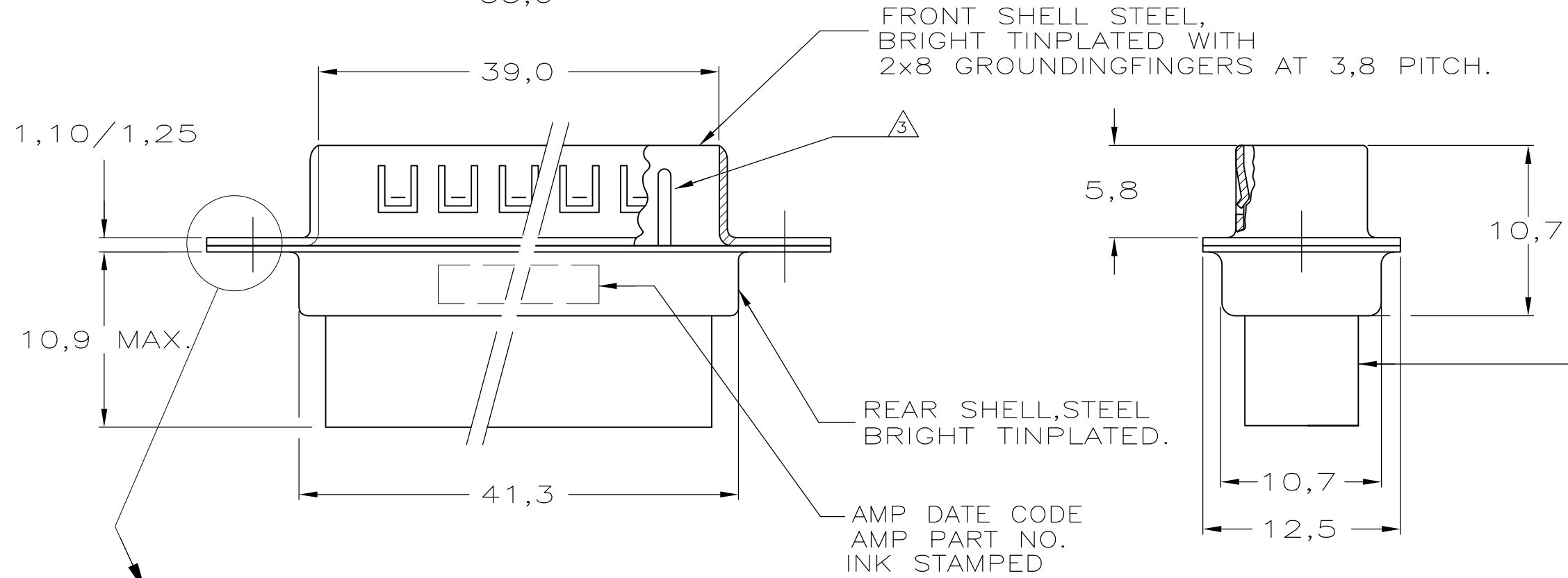


THIS DRAWING IS UNPUBLISHED. RELEASED FOR PUBLICATION  
 © COPYRIGHT - By - ALL RIGHTS RESERVED.

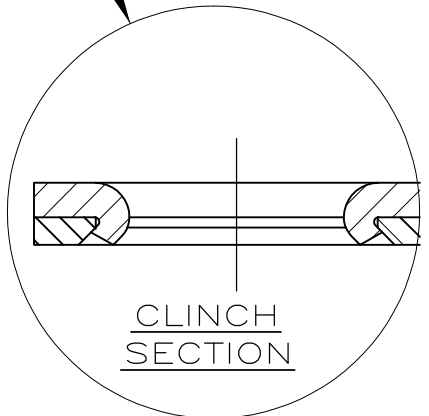
REVISIONS				
P	LTR	DESCRIPTION	DATE	APVD
D		REVISED PER ECO-16-001693	25AUG2016	AP DG



- 1 THIS PLUG ACCEPTS SIZE 22 PIN CONTACTS
- 2 RETENTION TINES ARE AN INTEGRAL PART OF INSERT.
- 3 CONTACTS SHOWN FOR ILLUSTRATION ONLY, NO PART OF CONNECTOR PACKAGE, MUST BE ORDERED SEPARATELY.
- 4 CONTACT INSERTION/REMOVAL TOOL AMP P.N. 91285-1 IS RECOMMENDED FOR USE WITH THESE CONNECTORS



INSERTS: NYLON  
 GLASS-FILLED  
 SELF-EXTINGUISHING  
 COLOR: BLACK



2196156-1 AS SHOWN

THIS DRAWING IS A CONTROLLED DOCUMENT.		DWN J. v. LIEMPT 06DEC1988	<b>STE</b> TE Connectivity			
DIMENSIONS: mm		CHK -				
TOLERANCES UNLESS OTHERWISE SPECIFIED:		APVD -	NAME HDP-22 PLUG CONNECTOR, SIZE 3, (44 POSITION)			
0 PLC ± -		PRODUCT SPEC -				
1 PLC ± -		APPLICATION SPEC -	SIZE	CAGE CODE	DRAWING NO	RESTRICTED TO
2 PLC ± -		WEIGHT 0.000000	A3	00779	C-216156	-
3 PLC ± -		CUSTOMER DRAWING	SCALE NTS	SHEET 1 OF 1	REV D	
4 PLC ± -						
ANGLES ± -						
FINISH -						