

ZONE	REV	ECN NUMBER	DESCRIPTION	BY	DATE	APPROVED
ALL	A	MHAN-A3CPBZ-VER01	NEW RELEASE	HCL-WS	10/26/2015	M.HANRAHAN
	B	JXUU-20102801	ADDED SHEET 2 FOR XCEDE HD2 DC POWER MODULE	HCL-PB	11/20/2020	J.XU
	C	HHUG-21020507	ADDED DIM (2.53) MAX & NOTE #10.	HCL-PB	03/02/2021	H.HUANG

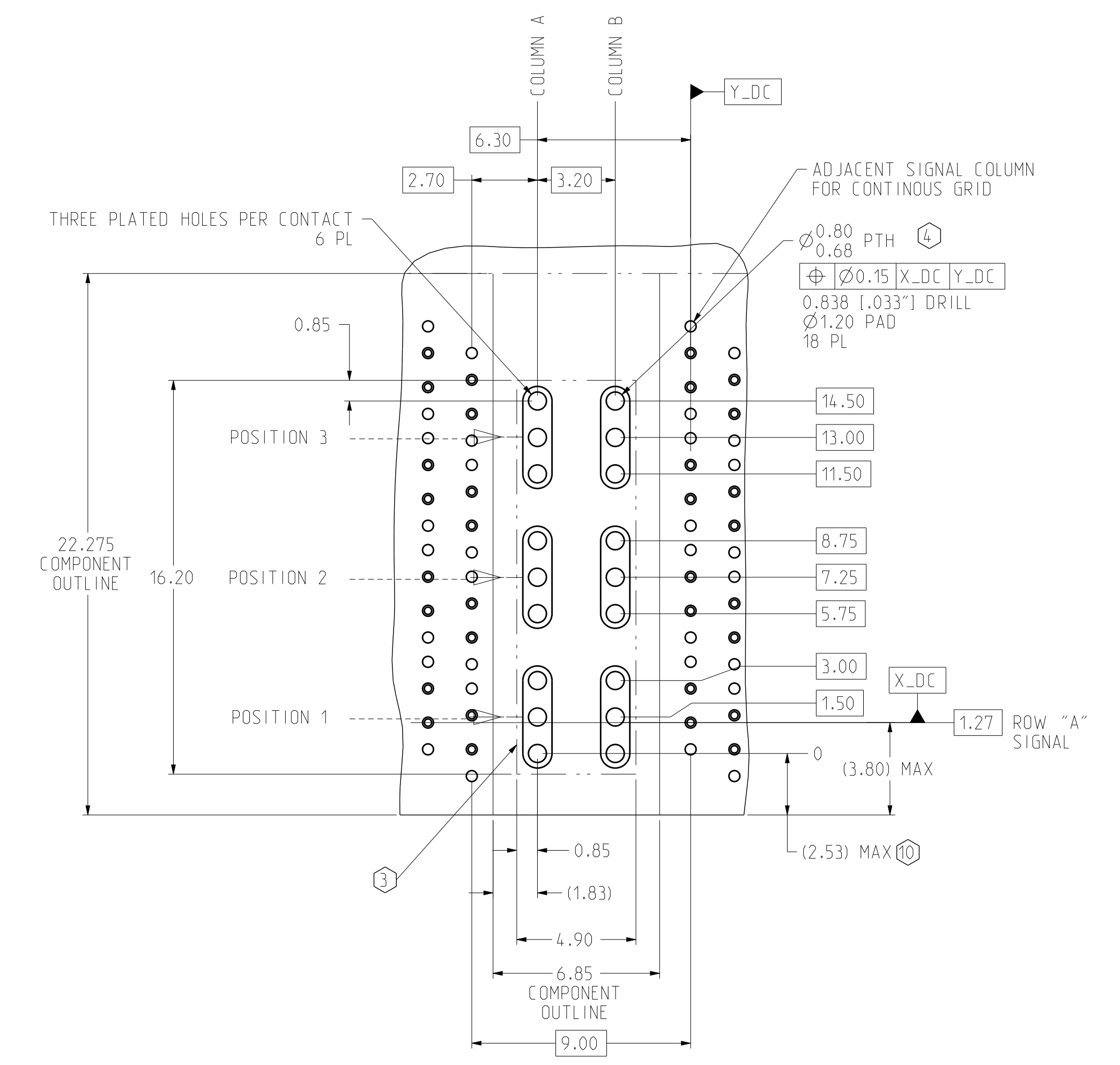
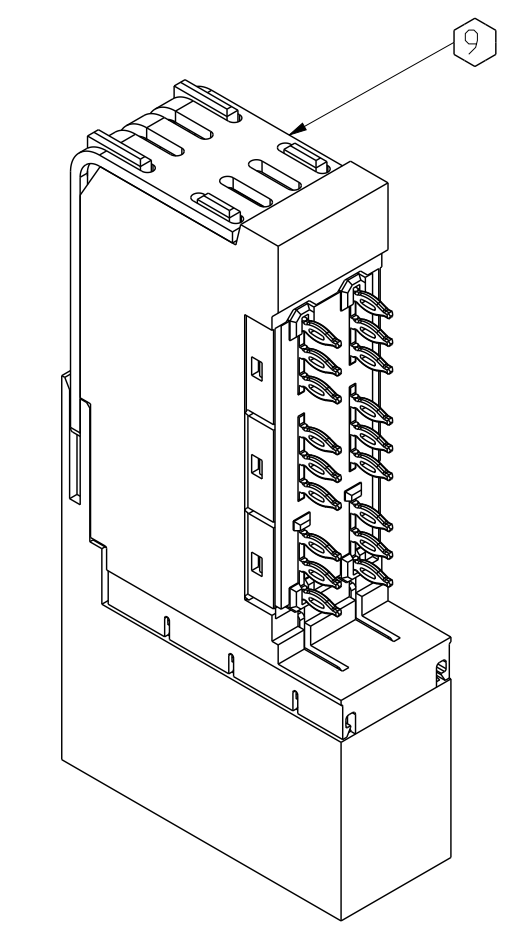
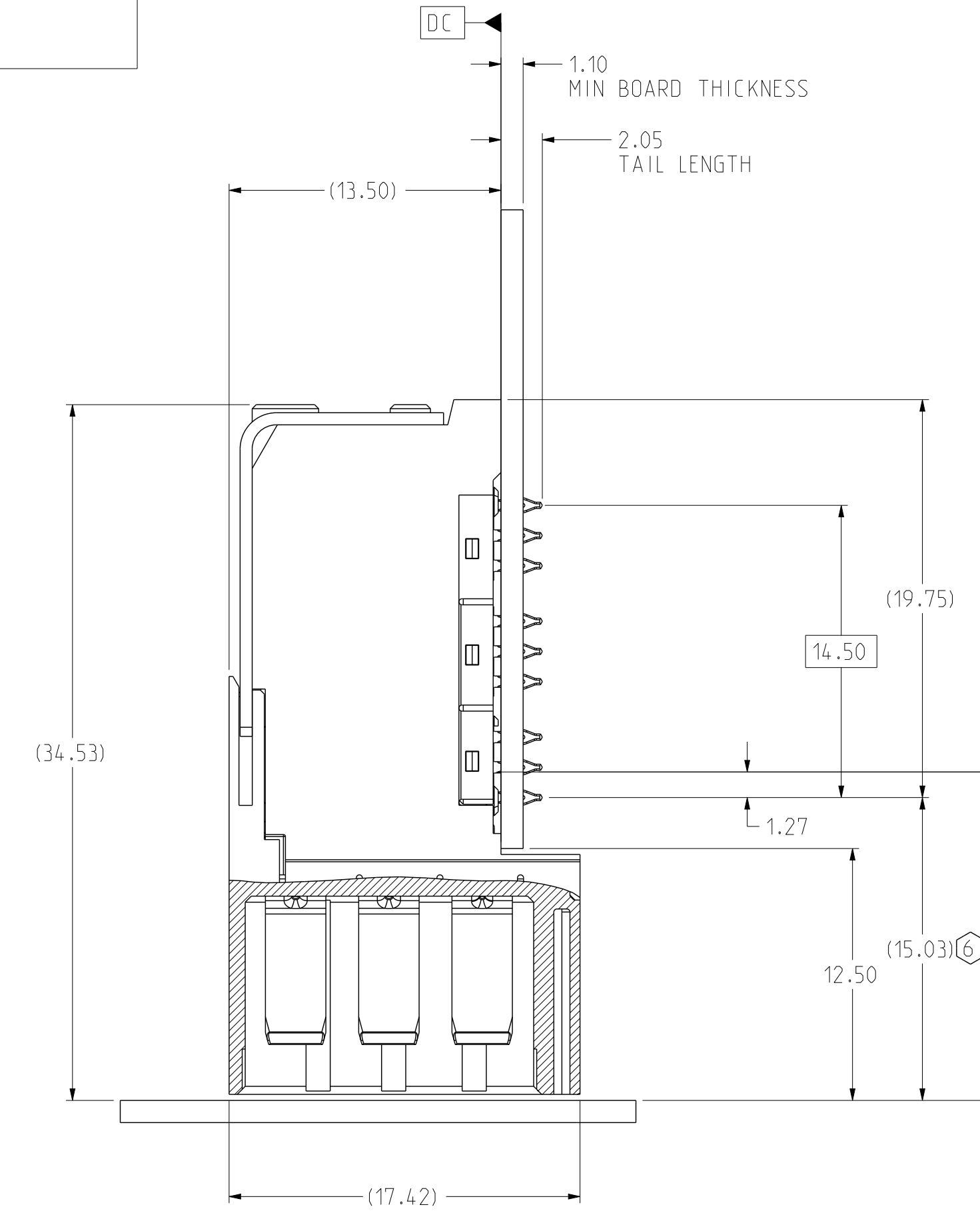
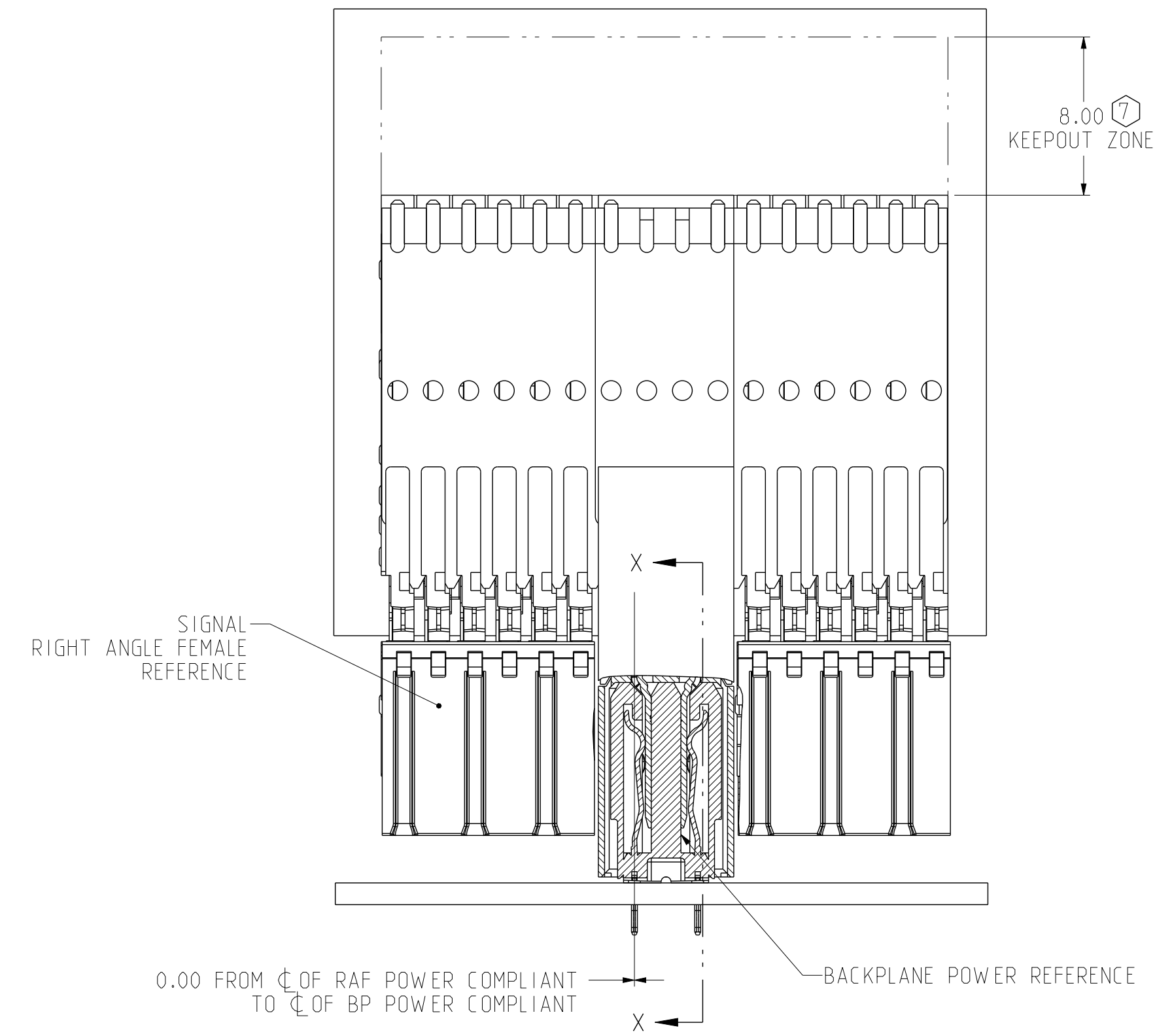
TABLE 1

XCede HD RIGHTANGLE FEMALE POWER CONNECTOR  
 ASSEMBLY PART NUMBER ASSIGNMENT



PLATING:  
 D = NI SULFAMATE, STANDARD GOLD, LEADFREE  
 E = NI SULFAMATE, HIGH GOLD, LEADFREE  
 H = NANO NI, STANDARD GOLD, LEADFREE  
 J = NANO NI, HIGH GOLD, LEADFREE  
 K = NI SULFAMATE, HIGH GOLD, LEADED, 60-40 TIN-LEAD

CONTACT LENGTH  
 7 = 4.5mm  
 8 = 5.5mm



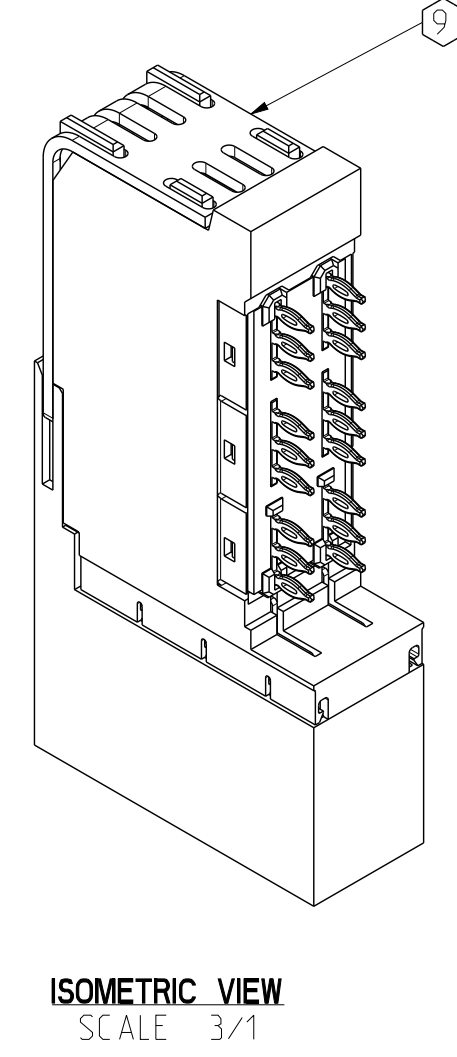
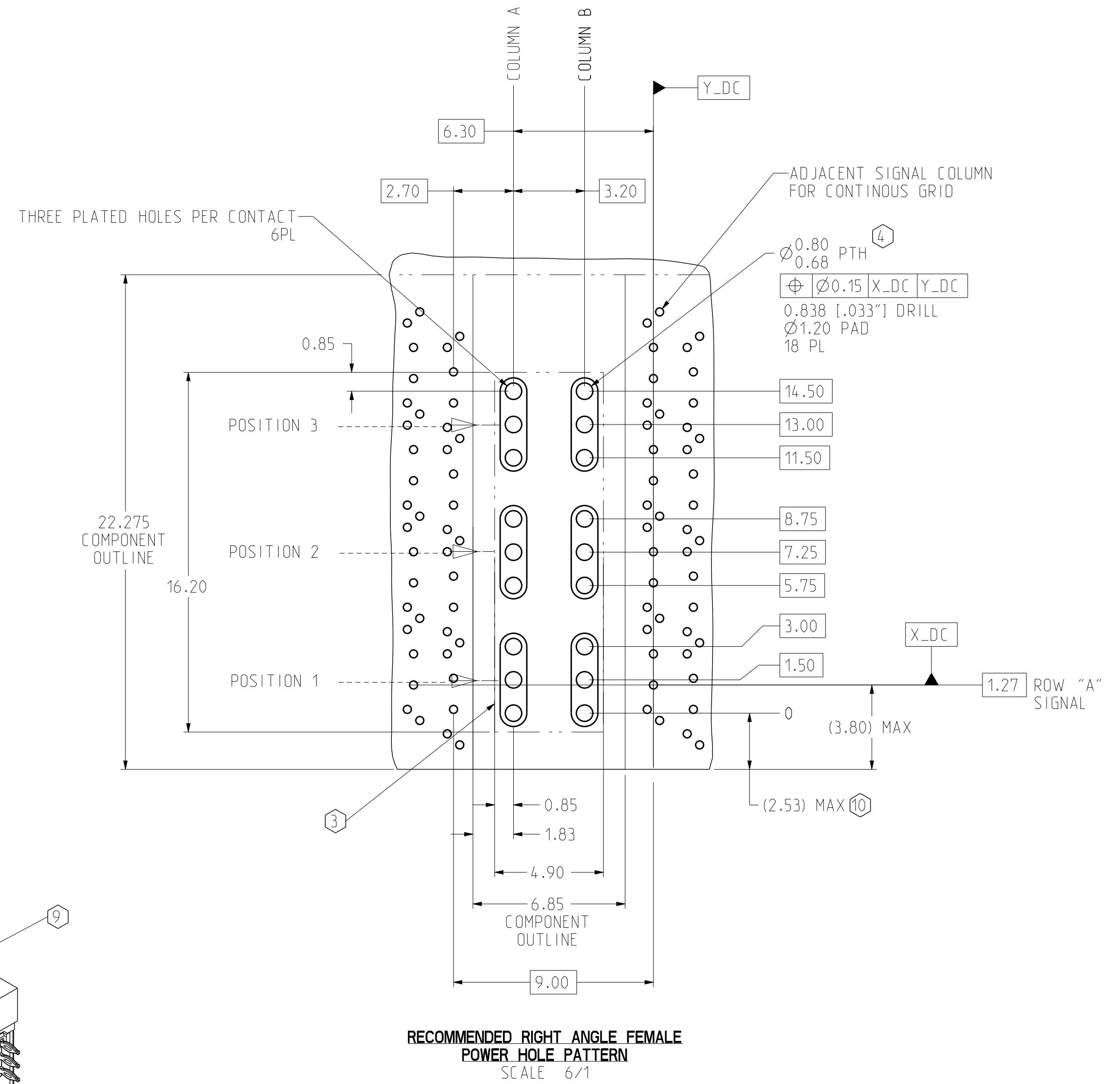
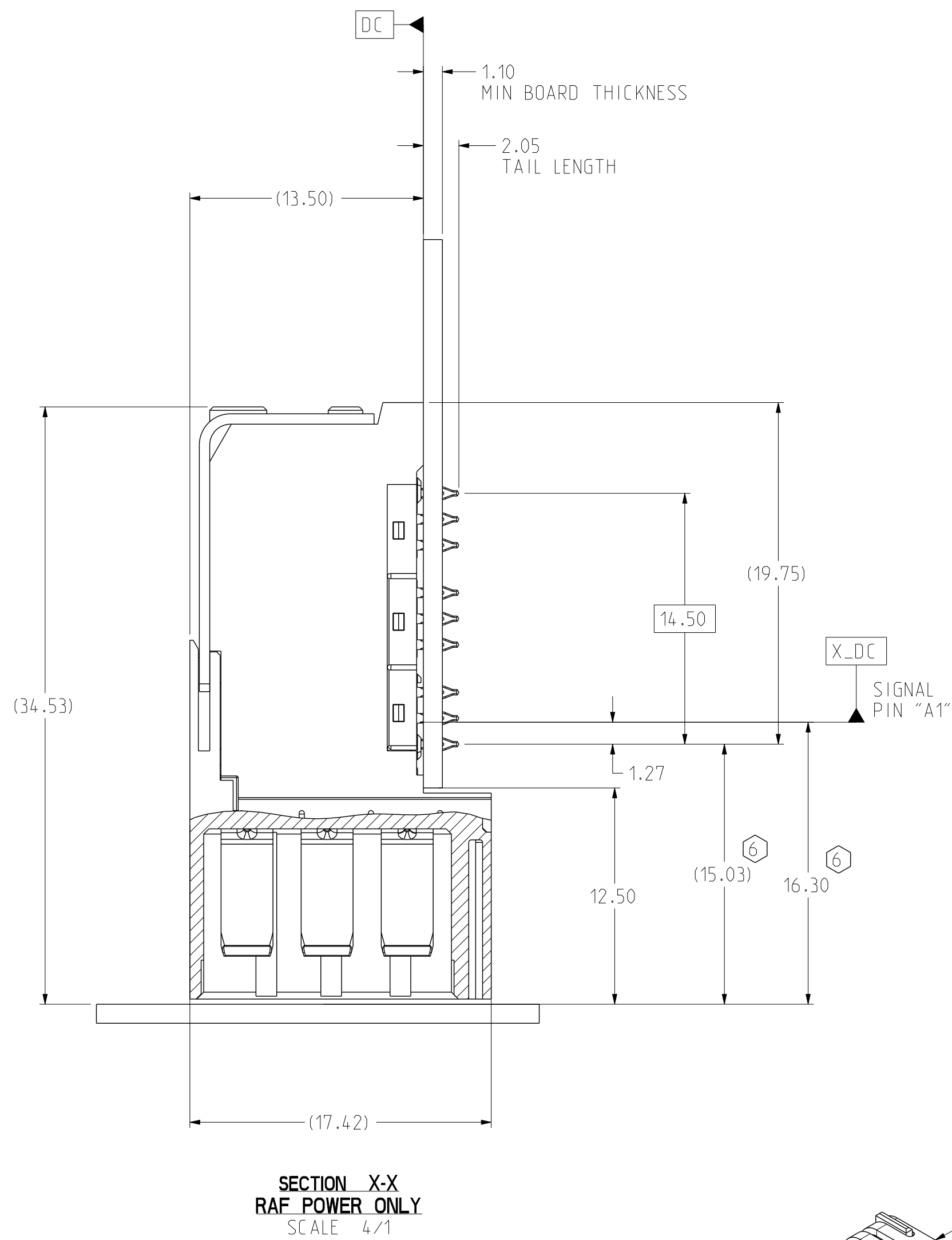
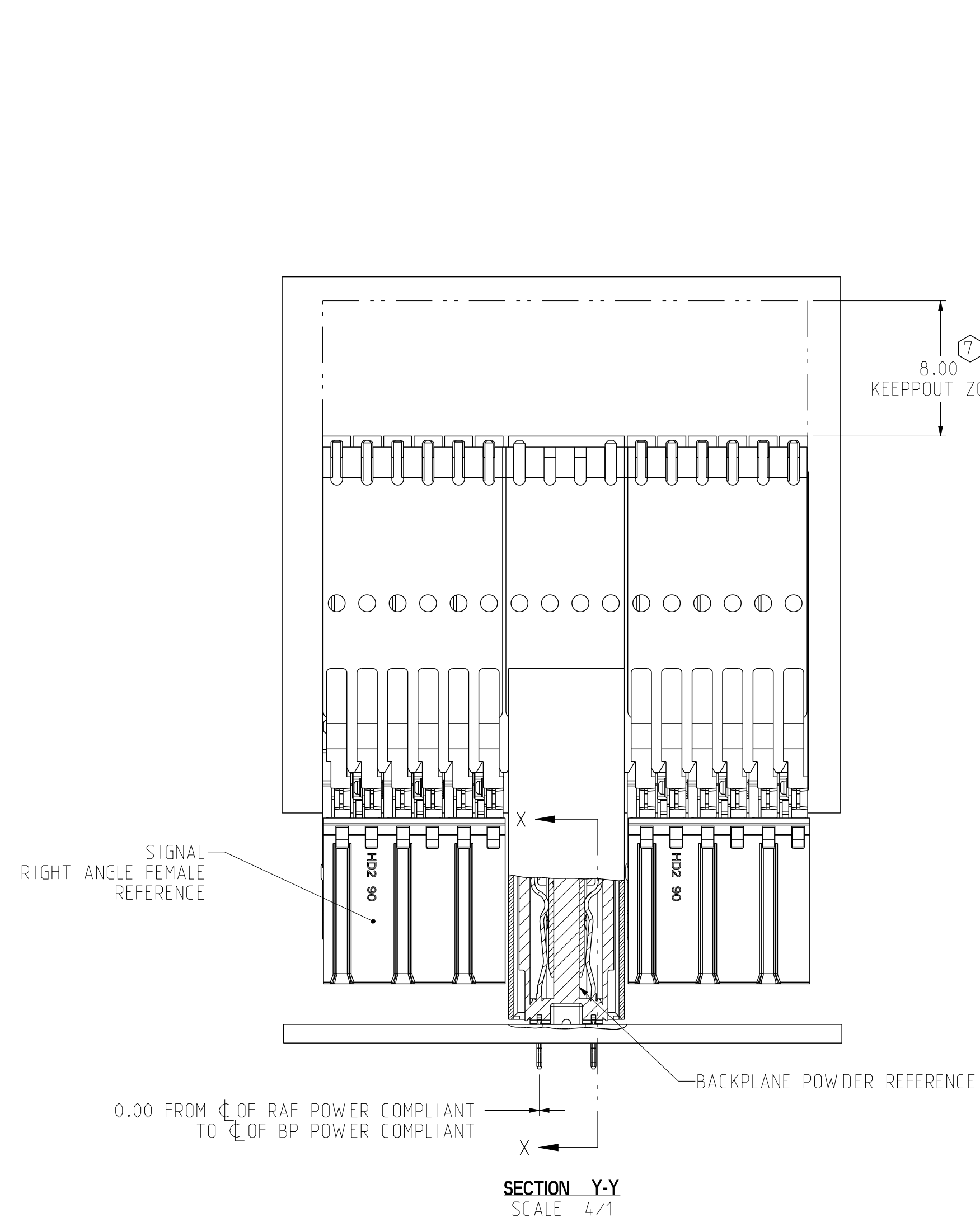
- NOTES:
1. CORRESPONDING BP DRAWING : C-968-4100-500
  2. USE 7.2mm NOMINAL FOR DAUGHTERCARD LAYOUT.
  3. NO SURFACE TRACES ALLOWED IN KEEPOUT ZONE.
  4. STATED PAD SIZE MAY REQUIRE FILLING. SEE TB-2237 FOR ROUTING GUIDELINES.
  5. REFER TO TB 2307 FOR XCede HD PLUS PRODUCT SPECIFICATION.
  6. NOMINAL SEATED DIMENSION.
  7. FOR CONNECTOR REPAIRABILITY, USE KEEPOUT ZONE.
  8. REFER DRAWING C-977-4000-600 FOR NON-STANDARD LOAD.
  9. STIFFENER SHOWN FOR REFERENCE ONLY.
  10. IF THEIR IS NO SIGNAL MODULE PRESENT IN THE CONFIGURATION, PLEASE USE THIS DIMENSION (2.53) MAX.

TOLERANCES	DESIGN	DATE	DESIGNER	Amphenol TCS	
0.0	±0.25	09/16/2015	M.HANRAHAN	A Division of Amphenol Corporation	
0.0	±0.13	09/16/2015	HCL-MR	200 Innovative Way, Nashua, NH 03062 603.879.3000	
0.000	± -	09/16/2015	M.HANRAHAN	TITLE RIGHT ANGLE FEMALE POWER ASSEMBLY	
ANGLES	± 3°	09/16/2015	M.HANRAHAN	XCede HD PLUS 4 PAIR, GEN 2 MINI COMPLIANT PIN	
UNLESS OTHERWISE SPECIFIED DIMENSIONS ARE IN MM. DECIMAL MARKER IS A PERIOD.				PART NO.	SEE P/N TREE
DRAWING NO.				C-928-4050-600	REV N/A
CUSTOMER USE DRAWING				CREO ASSEM: C928-4050-600	0.2
				DRAWING: C928-4050-600	0.8
SIZE D				SCALE 1/1	SHEET 1 OF 2

INTERPRET PER ASME Y14.5M  
 CODE IDENT 31413

ZONE	REV	ECN NUMBER	DESCRIPTION	BY	DATE	APPROVED
			SEE SHEET 1			

LAYOUT FOR 4 PAIR XCede HD2 POWER MODULE



TOLERANCES		DESIGN 09/14/2015 M.HANRAHAN	<b>Amphenol TCS</b> A Division of Amphenol Corporation 200 Innovative Way, Nashua, NH 03062 603.879.3000
0.0	$\pm$ 0.25	DRAWN 09/14/2015 HCL-MR	
0.00	$\pm$ 0.13	CHK 09/14/2015 M.HANRAHAN	TITLE RIGHT ANGLE FEMALE POWER ASSEMBLY XCede HD PLUS 4 PAIR, GEN 2 MINI COMPLIANT PIN PART NO. SEE P/N TREE N/A REV C
0.000	$\pm$ -	APVD 09/14/2015 M.HANRAHAN	
ANGLES	$\pm$ 3°	UNLESS OTHERWISE SPECIFIED DIMENSIONS ARE IN MM. DECIMAL MARKER IS A PERIOD	
INTERPRET PER ASME Y14.5M		CUSTOMER USE DRAWING	
CODE IDENT 31413		DRAWING NO. C-928-4050-600	REV C
SIZE D	SCALE 1/1	CRED ASSEM: C928-4050-600_XCEDE_HD2	0.0
		DRAWING: C928-4050-600	0.8
			SHEET 2 OF 2