

5

4

3

2

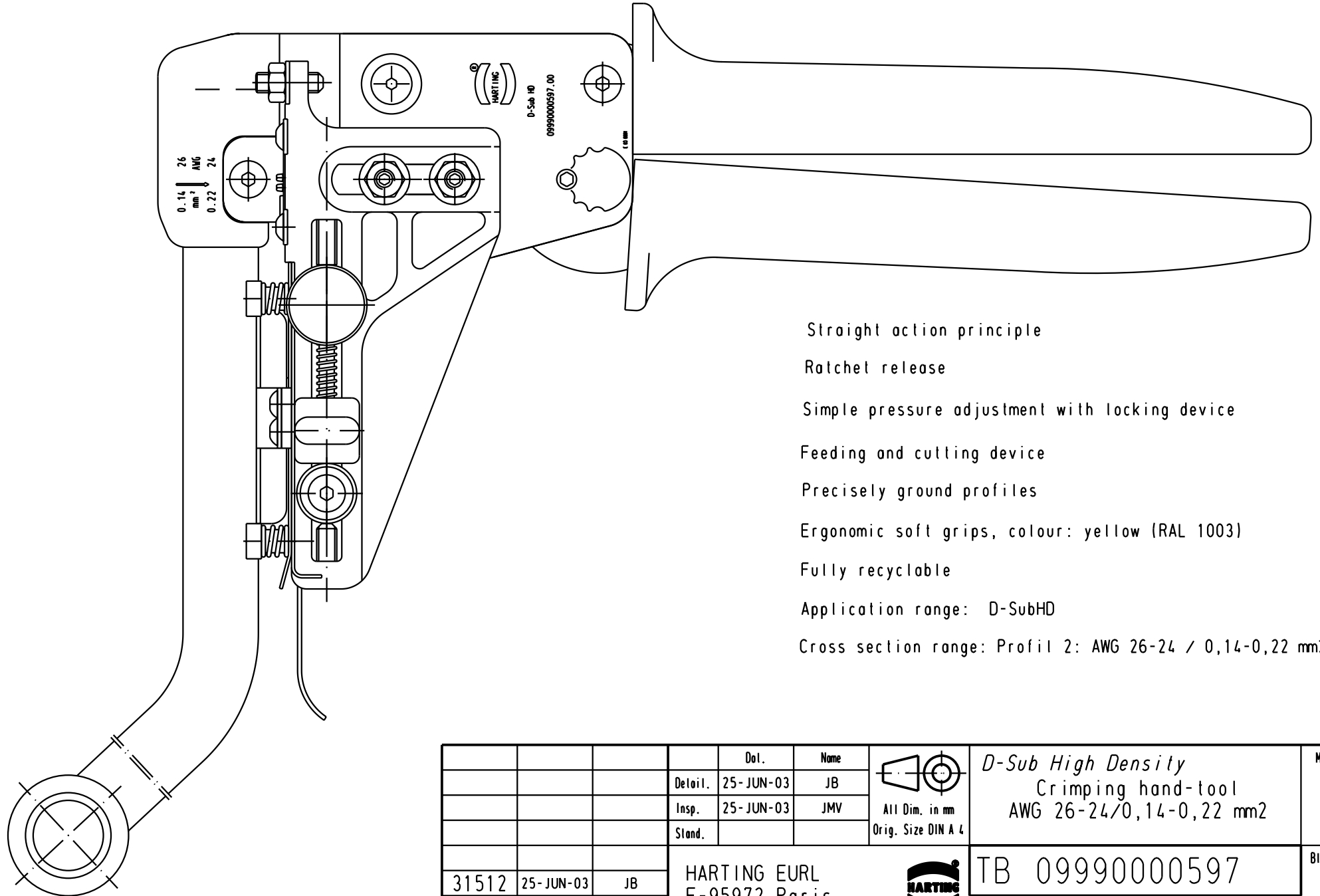
1

D



C

B

A



- Straight action principle
- Ratchet release
- Simple pressure adjustment with locking device
- Feeding and cutting device
- Precisely ground profiles
- Ergonomic soft grips, colour: yellow (RAL 1003)
- Fully recyclable
- Application range: D-SubHD
- Cross section range: Profil 2: AWG 26-24 / 0,14-0,22 mm²

				DoI.	Name	 All Dim. in mm Orig. Size DIN A 4	D-Sub High Density Crimping hand-tool AWG 26-24/0,14-0,22 mm ²	Maßstab/ Scale
			Detail.	25-JUN-03	JB			
			Insp.	25-JUN-03	JMV			
			Stand.					
31512	25-JUN-03	JB	HARTING EURL F-95972 Paris				TB 09990000597	Blatt/ Page 1 / 1
Mod.	DoI.	Name	Sub.					