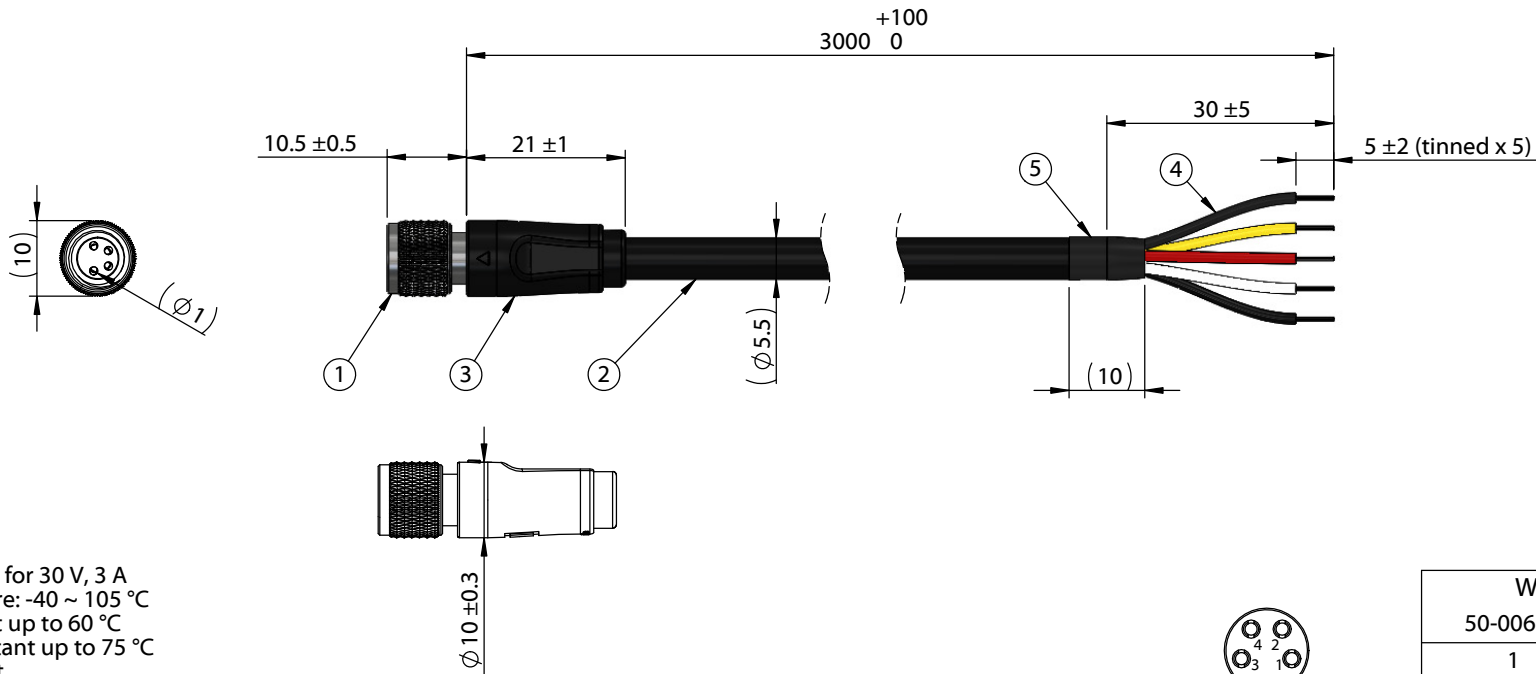


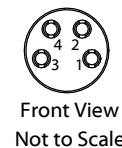
ITEM NO.	PART NUMBER	DESCRIPTION	QTY.	COMPONENT NOTES
1	50-00682	Connector, 4 pin M8 A-code socket, 8x15.1 mm, gold plated, molding style, solder cup, IP67, shielded	1	
2	30-01579	Wire, 4C TS, 24 AWG, UL20387, 300V, 105C, 60C oil, UV, 5.5 mm, shielded, VW-1, PVC, 80A, black	1	
3	24-00378	Overmold, M8 plug and jack, 180°	1	PVC, black
4	Heat Shrink	Heat shrink, black	1	covers drain
5	Heat Shrink	Heat shrink, black	1	covers end of jacket



Notes:
Cable rated for 30 V, 3 A
Temperature: -40 ~ 105 °C
Oil resistant up to 60 °C
Water resistant up to 75 °C
UV resistant

IP67 waterproof rating when mated with corresponding (IP67) connector

Functionally equivalent components may be substituted



Wiring Diagram	
50-00682	wire color
1	red
2	yellow
3	black
4	white
Shell	shield/drain

Revision:	Date:	Description:	Prepared: MP <small>Digitally signed by MP Date: 2022.03.04 15:32:20 -08'00'</small>	Notes:	<h1>TENSILITY</h1> <p>tel 1.541.323.3228 800 877.670.7118 fax 1.541.323.4202 web tensility.com</p>
A	3/4/2022	Initial release	Verified: PB <small>Digitally signed by PB Date: 2022.03.07 09:00:41 -08'00'</small>	RoHS compliant	
			Dimensions are in millimeters. Tolerances: X: ± 0.5 mm X.X: ± 0.3 mm X.XX: ± 0.05 mm	Function test: no open, no short circuit, no intermittent	
				Description: Cable, 3000mm, 1.0 mm 4C 50-00682 M8 socket to 5mm tinned, 24 AWG, 30-01579 wire, shielded	
			Size: A	Part number: 10-04140	Scale: 1:1
					Sheet 1 of 1

5

4

3

2

1