



(images/product/XA2212 12V DC 1400KV.jpg)

Emax XA2212 12V DC 1400KV Brushless Motor

SKU: 108990010



WIO LINK is LIVE at Kickstarter!

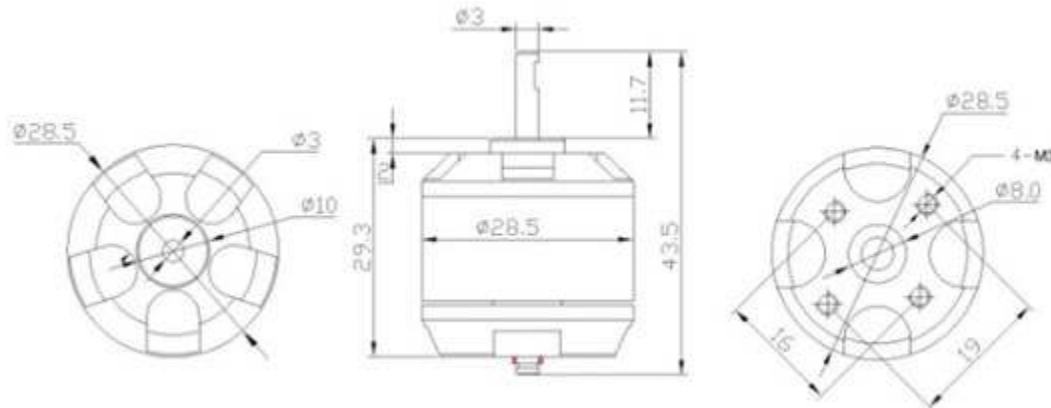
(https://www.kickstarter.com/projects/seeed/wio-link-3-steps-5-minutes-build-your-iot-applicat/description?ref=banner_depot)

Description

Mainly used in 4 rotors helicopter, fixed-wing aircraft and Helicopters etc. high power and efficiency. low price With rich fitting. High quality bearings, silicon Steel and magnets ensures the functionality & lifetime of the motor.

Specification:

- KV Values: 1400KV
- Voltage: DC 8~12V
- Current: 11.9~20.6A
- Trust: 520~940G
- Power: 95.2~247.2W
- Efficiency: 5.5~3.8G/W
- Rotation Speed: 8250~12020RPM



Overview



(<http://www.seeedstudio.com/depot/Shenzhen-2U-t-11.html?ref=pinfo>)

Designer:
Others
Other
Products

From This Designer (<http://www.seeedstudio.com/depot/Others-m-24.html?ref=pinfo>)

Weight: 60 g