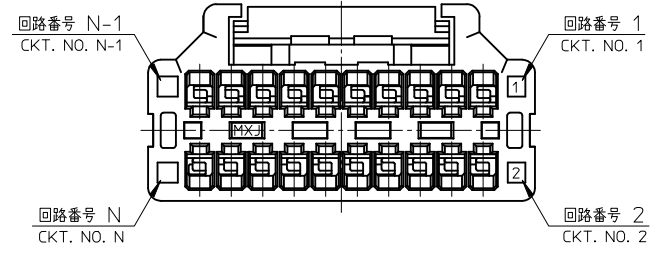
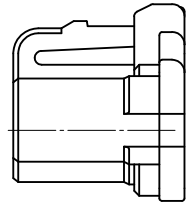
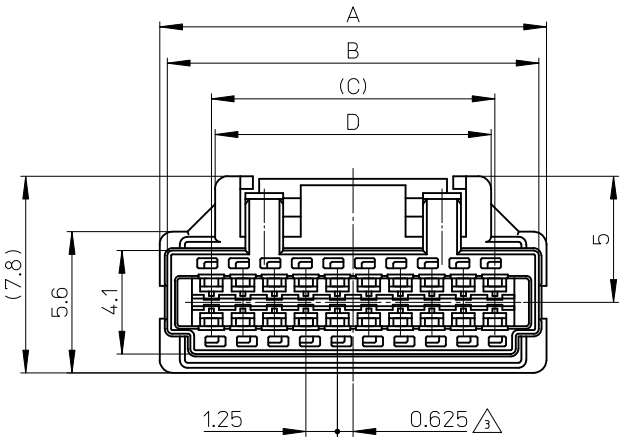
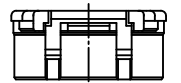


ターミナル装着図
TERMINAL ASSEMBLY DRAWING

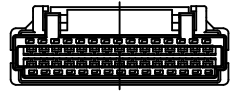


NOTES

- △ 適合ターミナル: 501930-****
APPLICABLE TERMINAL : 501930-****
- 2. 嵌合相手: 501931-****, 502046-****
MATE WITH : 501931-****, 502046-****
- △ 極数/2=偶数に適用。
APPLY FOR CKT. SIZE / 2 = EVEN.
- 4. アプリケーション仕様書(コネクタ取扱説明書)
AS-503110-001, AS-503110-002
APPLICATION SPECIFICATIONS (CONNECTOR MANUAL)
AS-503110-001, AS-503110-002
- 5. 製品仕様書: PS-501931-002
Product specification: PS-501931-002
- 6. ELV 及び RoHS 適合品
ELV AND RoHS COMPLIANT



20ckt.



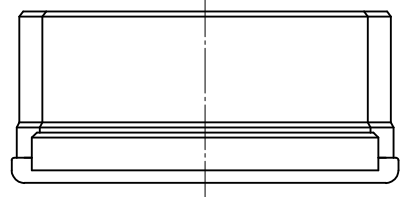
30ckt.



40ckt.

極数の種類 (正面図)

KIND OF CKT. NO. (FRONT VIEW)



23.45	23.75	27.25	27.85	503110-4000	40
17.2	17.5	21	21.6	503110-3000	30
10.95	11.25	14.75	15.35	503110-2000	20
D	C	B	A	PLASTIC BAG	極数
オーダー番号 ORDER No.					CIRCUITS

CONNECTOR SERIES No. 503110-***00

REVISED EC NO: J2012-0332 2011/09/01 DRWN: NITO 2011/10/05 CHKD: KASAKAWA 2011/11/17 APPR: Y01TO 2011/11/17	DESCRIPTION GENERAL TOLERANCES (UNLESS SPECIFIED) 10 UNDER ±0.2 10 OVER 30 UNDER ±0.25 30 OVER ±0.3 ANGULAR ±3 ° DRAFT WHERE APPLICABLE MUST REMAIN WITHIN DIMENSIONS	DIMENSION STYLE MM ONLY DRAWN BY DATE N. NISHI 2007/11/16 CHECKED BY DATE K. ASAKAWA 2007/11/16 APPROVED BY DATE Y0. ITO 2007/11/16	SCALE 5:1 DESIGN UNITS METRIC THIRD ANGLE PROJECTION	TITLE 1.25 W/B CONN.DUAL PLUG HOUSING	
				MATERIAL NO. SEE TABLE	
				DOCUMENT NO. SD-503110-001	
				SHEET NO. 1 OF 1	
				SIZE A3 THIS DRAWING CONTAINS INFORMATION THAT IS PROPRIETARY TO MOLEX INCORPORATED AND SHOULD NOT BE USED WITHOUT WRITTEN PERMISSION	

部品 PART	材質 MATERIAL
ハウジング HOUSING	ポリエステル(PBT) UL94V-0 色:白 POLYESTER(PBT) UL94V-0 COLOR:WHITE