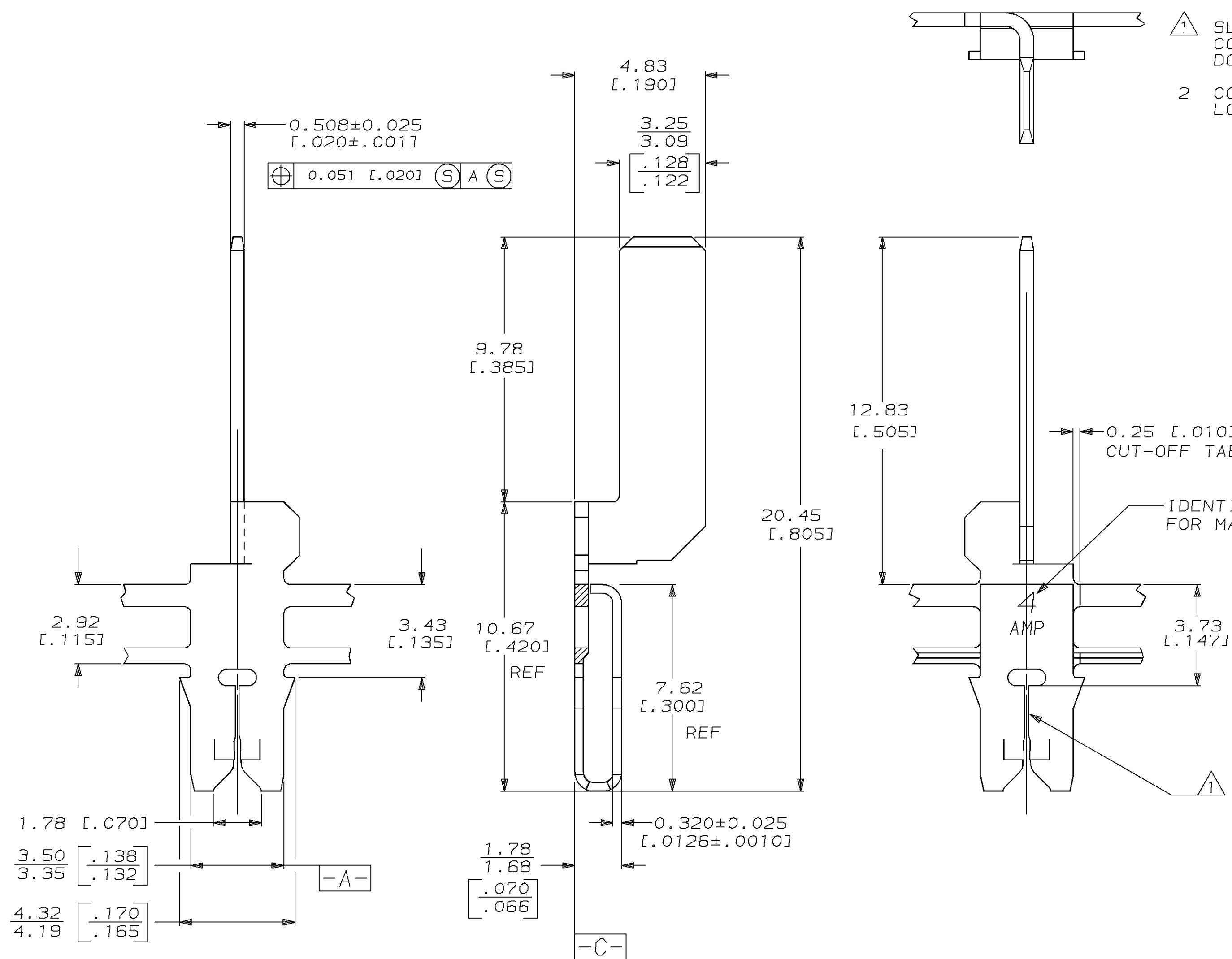


LOC	DIST	P	F	ZONE	LTR	DESCRIPTION	DATE	APPD
AF	50				C	REV PER 0710-0522-95	11/DEC/95	RG/NN



- 1 SLOT TERMINATES 0.18-0.23mm [#33-#31] AWG COPPER MAGNET WIRE EITHER SINGLE OR DOUBLE OF THE SAME SIZE.
- 2 CONTINUOUS STRIP ON REELS WITH TERMINALS LOCATED ON 8.38 ± 0.08 [.330 ± .003] CENTERS.

63806-1  
PART NO

DO NOT SCALE PRINT. UNLESS SPECIFIED DIMENSIONS IN mm [INCHES] TOLERANCES ON:	DR 19/SEP/94 MICHAEL S. FEHER	AMP Incorporated Harrisburg, PA 17105-3608
2 PLC DEC ± 0.25 [.010]	CHK 21/SEP/94 JEFF R. RUTH	
3 PLC DEC ± -	APPD 21/SEP/94 NELSON E. NEFF	NAME
ANGLES ± -	APPD 21/SEP/94 TERRY L. SHUTTER	TERMINAL, TAB, 3.18 [.125], MAG-MATE™
MATERIAL	PRODUCT SPEC	SIZE
#4M PRE-MILLED BRASS	108-2012	CAGE CODE
FINISH	APPLICATION SPEC	DRAWING NO
0.002032 [.000080]	114-2046	C=63806
MIN TIN PER MIL-T-10727	WEIGHT -	SCALE
		8:1

THIS DRAWING IS A CONTROLLED DOCUMENT FOR AMP INCORPORATED. IT IS SUBJECT TO CHANGE AND THE CONTROLLING ENGINEERING ORGANIZATION SHOULD BE CONTACTED FOR THE LATEST REVISION.

SCALE	8:1	SHEET	1 OF 1
-------	-----	-------	--------

CUSTOMER DRAWING