

# SPECIFICATION FOR APPROVAL



TO: \_\_\_\_\_

PART NO.		REV.		DELTA SAMPLE ISSUE NO	
PART NAME	EMI FILTER		DELTA MODEL		10EK3M
ORDER P/N.	10EK3M		SAMPLE ISSUE DATE		

1. ELECTRICAL CHARACTERISTICS:

1-1. VOLTAGE RATING ..... 115/250VAC

1-2. CURRENT RATING

- A. AT 115/250V ..... 10 A RMS Max.
- B. AT 250V(VDE) ..... 6(4) A RMS Max.

1-3. OPERATING FREQUENCY..... 50/60 Hz

1-4. LEAKAGE CURRENT: EACH LINE TO GROUND

- A. @115VAC 60Hz ..... 2.0 uA Max.
- B. @250VAC 50Hz ..... 5.0 uA Max.

1-5. HIPOT RATING (FOR ONE MINUTE)

- A. LINE TO GROUND ..... 2250VDC
- B. LINE TO LINE ..... 1450VDC

1-6. TEMPERATURE RANGE: -25 ~ +100°C (DERATING ABOVE 40°C)

1-7. MINIMUM INSERTION LOSS IN dB: (AT 50 OHM SYSTEM)

FREQ. MHz	.01	.05	.10	.15	.50	1.0	5.0	10	30
COM. MODE dB	/	8	10	14	20	25	20	17	10
DIF. MODE dB	/	4	6	6	30	45	50	50	35

1-8. SAFETY



REPORT BY	CHECKED BY	APPROVED BY		
			REV.	

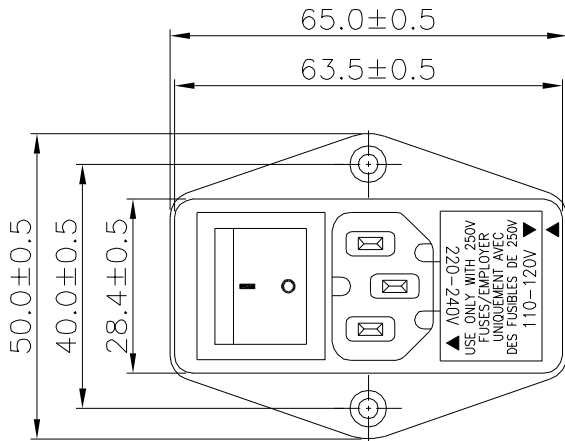
# SPECIFICATION FOR APPROVAL



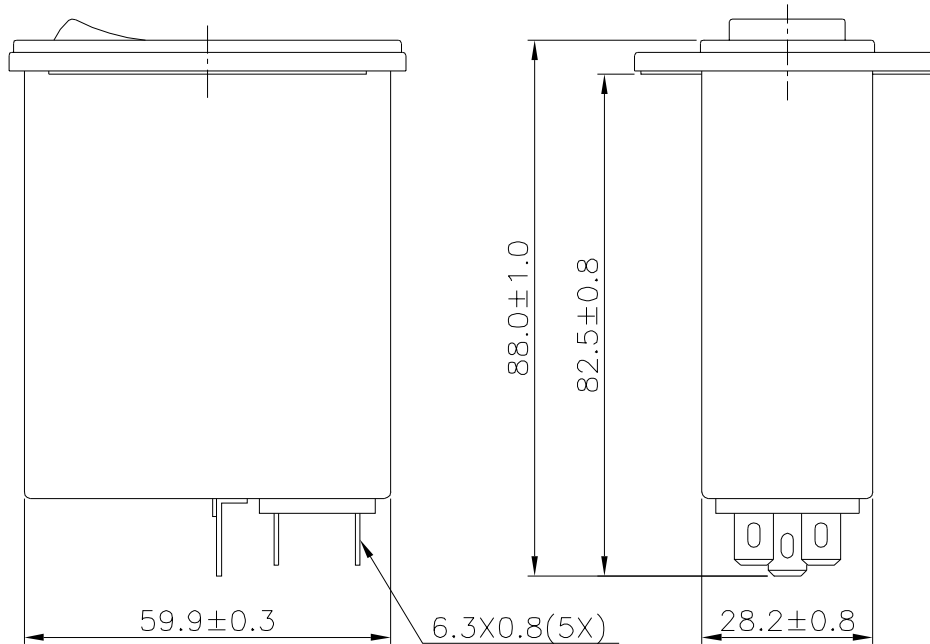
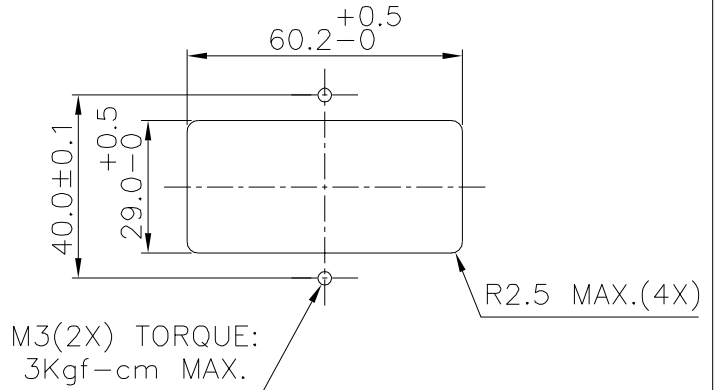
TO: \_\_\_\_\_

PART NO.		REV.		DELTA SAMPLE ISSUE NO	
PART NAME	EMI FILTER		DELTA MODEL		10EK3M
ORDER P/N.	10EK3M		SAMPLE ISSUE DATE		

## 2. PHYSICAL DIMENSIONS:

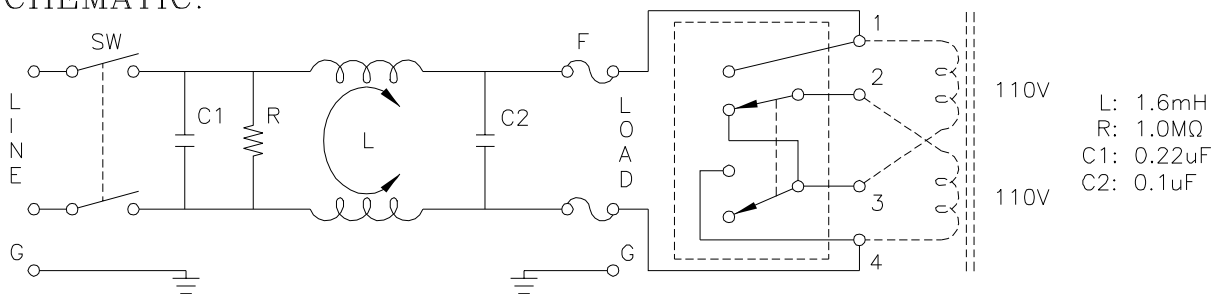


### SUGGESTED MOUNTING CUTOUT



UNIT: mm

## 3. SCHEMATIC:



REPORT BY	CHECKED BY	APPROVED BY	UNLESS OTHERWISE SPECIFIED DIMENSION TOLERANCE		
			DCEIMALS .X±	.XX±	ANGLES±
			REV.		

# SPECIFICATION FOR APPROVAL

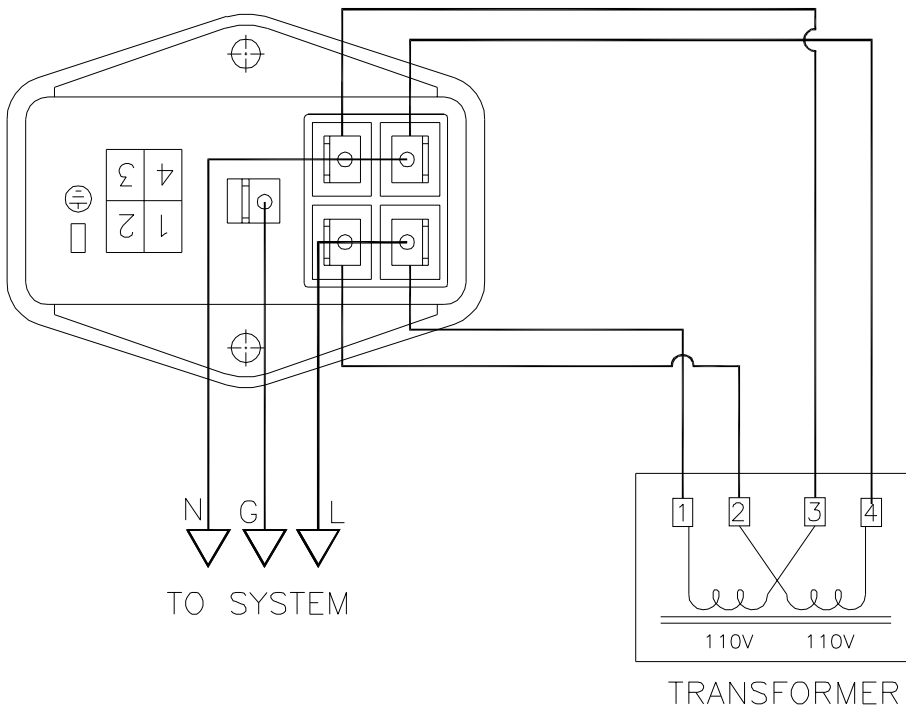
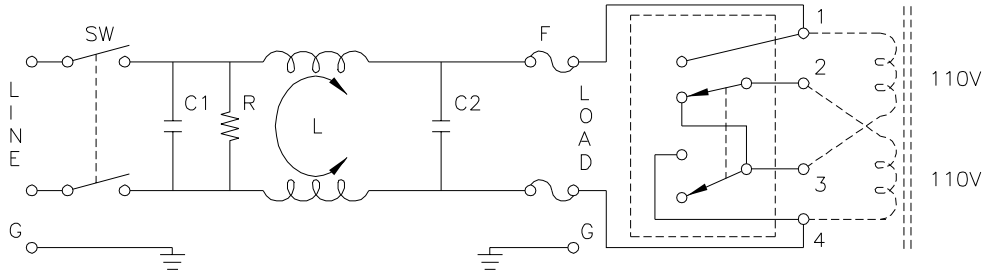


TO: \_\_\_\_\_

PART NO.		REV.		DELTA SAMPLE ISSUE NO	
PART NAME	EMI FILTER		DELTA MODEL	10EK3M	
ORDER P/N.	10EK3M		SAMPLE ISSUE DATE		

## 4. FILTER TO TRANSFORMER CONNECTIONS: (OPTION)

\*USE IEC 5X20mm FUSE ONLY.



- NOTES: THERE IS A VOLTAGE SELECTOR FIXTURE INSIDE OF FUSE HOLDER
- A. WHEN 100-120V HAS BEEN SELECTED, PIN 1 & 2, PEN 3 & 4 WAS SHORTED, IT WILL BE 2 110VAC TRANSFORMER BY PARALLEL, STILL KEEP 110VAC.
  - B. WHEN 220-240V HAS BEEN SELECTED, PIN 2 & 3, WAS SHORTED. IT WILL BE 2 110VAC TRANSFORMER BY SERIAL TO BE 220VAC.

REPORT BY	CHECKED BY	APPROVED BY	UNLESS OTHERWISE SPECIFIED DIMENSION TOLERANCE DCEIMALS .X±      .XX±      ANGLES±		
			REV.		

**DELTA ELECTRONICS, INC.**

186 RUEY KUANG ROAD, NEIHU. TAIPEI 114,  
TAIWAN, R.O.C.  
TEL:886-2-87972088 FAX:886-2-87972120