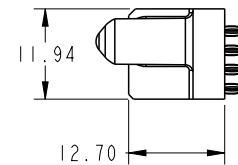
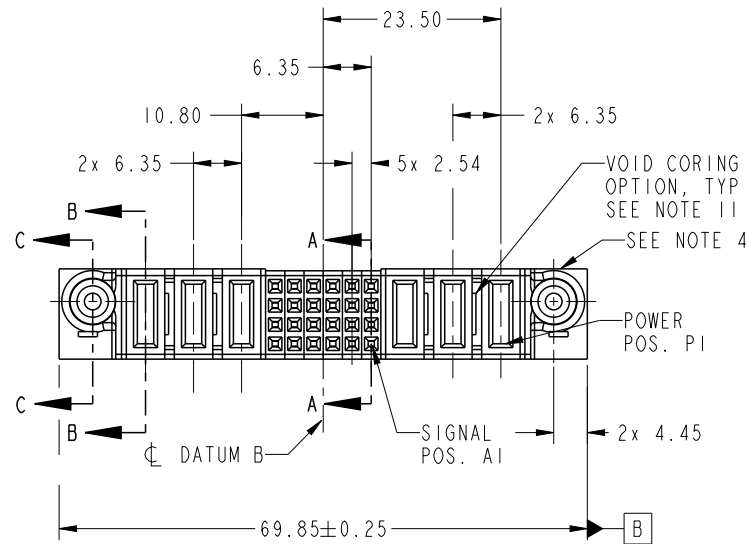


PRODUCT NO.	ROWS	POWER			SIGNAL					POWER					
		E2	P6	P5	P4	6	5	4	3	2	1	P3	P2	P1	E1
51940-586LF	D C B A		PF	PF	PF	E	E	E	E	E	E	PC	PC	PC	

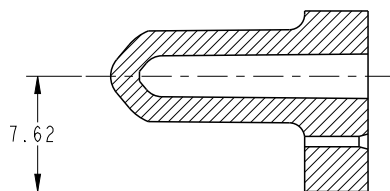
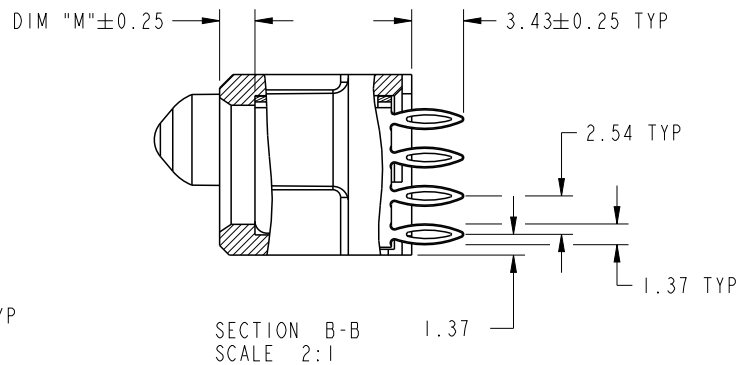
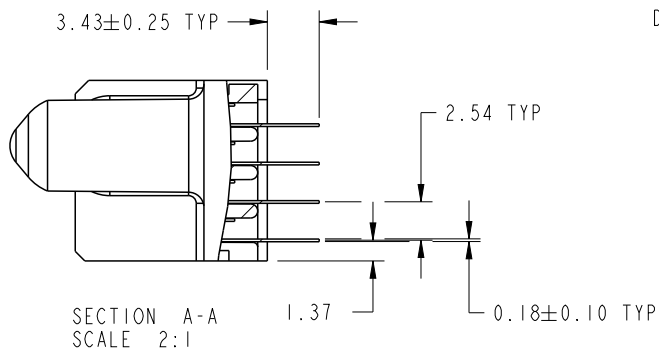


CODE	DIM "M" MATING LENGTH	CONTACT TYPE
E	[N/A]	SIGNAL
PF	[2.34]	POWER
PC	[1.07]	POWER

spec ref	*	dr	Ruan MT	2015/10/12	projection	MM	size	A4	scale	1:1
tolerance std	TOLERANCES UNLESS OTHERWISE SPECIFIED	eng	Ruan MT	2015/10/27			ecn no	-	rel level	Released
SEE NOTE		chr	Fancy Zhang	2015/10/23						
surface	linear	appr	Pei-Ming Zheng	2015/10/27	product family	PwrBlade	rev	51940-586	A	
	angular									
	0.X									
	0.XX									
	0.XXX									
	0°									
	±0.5									
	±0.25									
	±0.1									
	±2°									
		www.fci.com			cat. no.	*	Product - Customer Drw	sheet 1 of 4		

PRODUCT NUMBER

51940-586LF



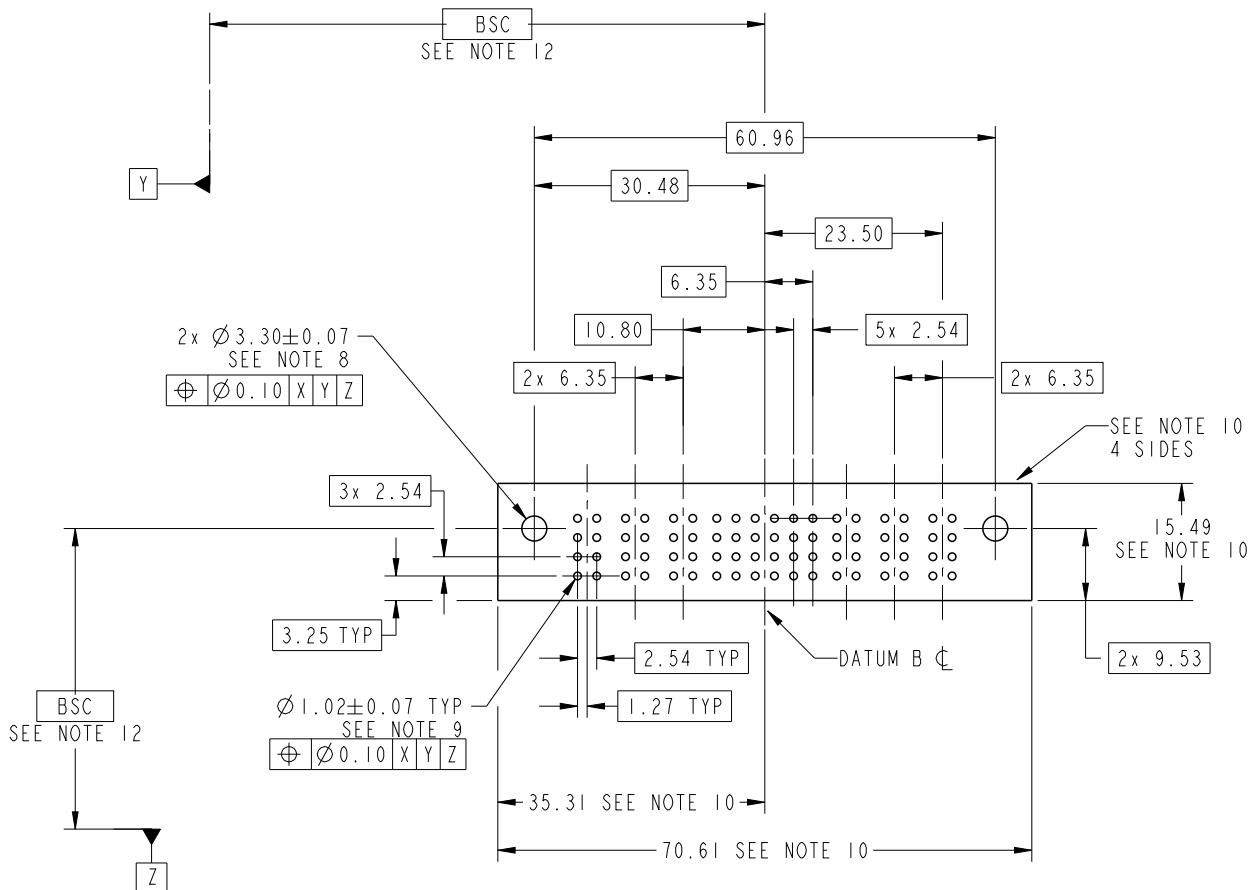
dr	Ruan MT	2015/10/12	projection 	MM 	size	A4	scale	1:1
eng	Ruan MT	2015/10/27			ecn no	-		
chr	Fancy Zhang	2015/10/23			rel level	Released		
appr	Pei-Ming Zheng	2015/10/27	product family	PwrBlade	rev	A		
		title		3P + 24S + 3P		dwg no		51940-586
www.fci.com		cat. no.		*		Product - Customer Drw		sheet 2 of 4
		title		VERTICAL STB & PF RECEPT		rev		A



Copyright FCI.

PRODUCT NUMBER

51940-586LF



RECOMMENDED PCB LAYOUT

dr	Ruan MT	2015/10/12	projection 	MM 	size	A4	scale	1:1
eng	Ruan MT	2015/10/27			ecn no	-		
chr	Fancy Zhang	2015/10/23			rel level	Released		
appr	Pei-Ming Zheng	2015/10/27	product family	PwrBlade	rev	A		
		title 3P + 24S + 3P VERTICAL STB & PF RECEPT	dwg no 51940-586	cat. no. *	Product - Customer Drw	sheet 3 of 4		

PRODUCT NUMBER

51940-586LF

NOTES:

1. DIMENSIONS AND TOLERANCES ARE IN ACCORDANCE WITH ASME Y14.5M, 1994 UNLESS OTHERWISE SPECIFIED.

CONNECTOR NOTES:

② HOUSING MATERIAL: UL 94 V-0 GLASS FILLED HIGH-TEMP THERMOPLASTIC
POWER CONTACT MATERIAL: COPPER ALLOY
SIGNAL PIN MATERIAL: COPPER ALLOY

3. SEE FCI PLATING SPEC 10064183.

④ MANUFACTURER'S NAME, DATE CODE AND OPTIONAL P/N TO APPEAR ON THIS SURFACE. THE MARK CAN BE OMITTED IF THERE IS NOT ENOUGH SPACE ON THIS SURFACE.

5. PRODUCT SPECIFICATION GS-12-149.
APPLICATION SPECIFICATION BUS-20-067.

6. PACKAGED IN TRAYS.

PCB NOTES:

7. ALL HOLE DIAMETERS ARE FINISHED HOLE SIZE.

⑧ MOUNTING HOLES, WHERE APPLICABLE, ARE UNPLATED.

⑨ $\varnothing 1.151 \pm 0.025$ DRILLED HOLES PLATED WITH
0.008 MIN SnPb OR Sn OVER 0.03
TO 0.08 Cu PLATING TO ACHIEVE
 $\varnothing 1.02 \pm 0.07$ HOLE.

⑩ CONNECTOR KEEP-OUT ZONE.

11. THE VOID CORING IN BETWEEN POWER MODULES, SIGNAL MODULES AND END MODULES ARE OPTIONAL AND THE SHAPE MAY BE DIFFERENT FOR OPTIMIZE THE MOLDING PROCESS. THE VOID CORING WILL NOT EFFECT TO PRODUCT FUNCTION.

⑫ DATUM AND BASIC DIMENIONS ARE ESTABLISHED BY CUSTOMER.

13. RECOMMENDED RETENTION TO PCB
 $\varnothing 3.3$ mm THRU HOLE FOR #5 SOCKET HEAD CAP SCREW
MAX. HEAD 5.21mm RECOMMENDED SCREW LENGTH 12mm + PCB THICKNESS.
RECOMMENDED SCREW SEATING TO PCB TORQUE: 2-5 lbf-in (2300-5760 gf-cm)



Copyright FCI.

dr	Ruan MT	2015/10/12	projection 	MM 	size	A4	scale	1:1
eng	Ruan MT	2015/10/27			ecn no	-		
chr	Fancy Zhang	2015/10/23			rel level	Released		
appr	Pei-Ming Zheng	2015/10/27	product family	PwrBlade	rev	A		
	title	3P + 24S + 3P VERTICAL STB & PF RECEPT		dwg no	51940-586			
www.fci.com	cat. no.	*	Product - Customer Drw		sheet 4 of 4			