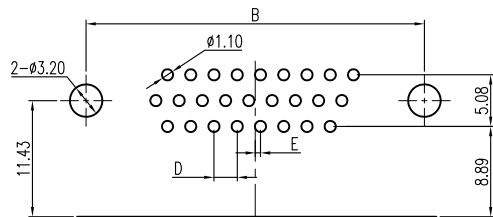
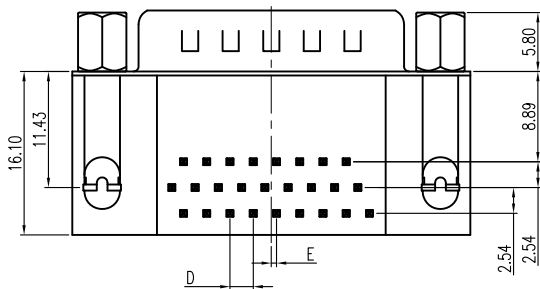
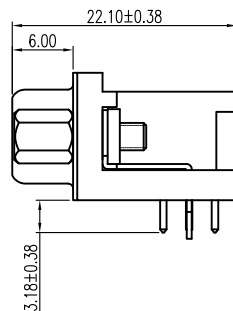
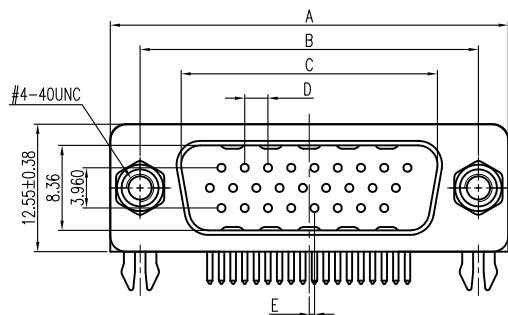


This document is the property of Amphenol Corporation and is delivered on the express condition that it is not to be disclosed, reproduced or used, in whole or in part, for manufacture or sale by anyone other than Amphenol Corporation without its prior consent, & that no right is granted to disclose or to use any information in this document.

Customer Drawing



RECOMMENDED P.C.B LAYOUT
TOLERANCE:±0.05MM



Dimensions

Positions	A±0.38	B	C	D	E
15	30.81	24.99	16.92	2.29	0.25
26	39.19	33.32	25.25	2.29	0.51
44	53.04	47.04	38.96	2.29	0.51
62	69.32	63.50	55.42	2.41	0.58

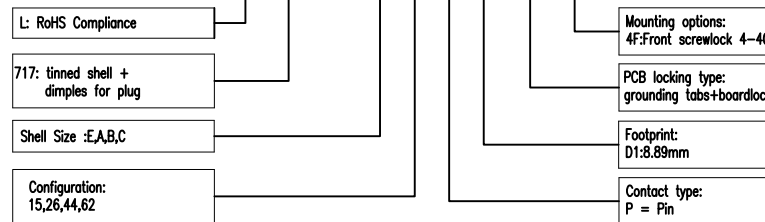
REVISIONS				
SYM	ECN	DESCRIPTION	DATE	APPROVED
1	HK--	First Release Drawing	04/14/08	IP
2	HK--	Update the Drawing	06/18/15	IP

D-SUB TECHNICAL DATA

SHELL : SPCC, 100u" Tin Over 50u" min nickel over 50u" min Copper
 BODY : PBT, UL 94V-0, Color:Black.
 CONTACTS : Copper alloy
 Gold flash Plated over 50u" Nickel on Contact Area.
 100u" Tin Plated over 50u" Nickel on Solder Area.
 BOARDLOCK: Copper Alloy, Tin Plated.
 RIVET: Copper Alloy, Nickel Plated.
 SCREWLOCK: Copper Alloy, Nickel Plated.
 ELECTRICAL : Voltage rating 250 VAC/RMS
 Current Rating 3 AMP
 Withstanding Voltage >1000V AC/RMS
 Insulation resistance >1000 M Ohms
 Contact resistance 25 mOhms max
 MARKING : Amphenol...(Series No.)
 Commercial reference
 Manufacturing date

PRODUCT CODE

L 717 HD X XX P D1 CH 4F



UNLESS OTHERWISE SPECIFIED TOLERANCES	APPROVAL		DATE
	DRAWN	DATE	DATE
U.S.	Felix Liu	06/18/16	06/18/16
METRIC	Tony Tang	06/18/16	06/18/16
.X +/-	CHECKED		
.XX +/-	CHECKED		
.XXX +/-	CHECKED		
FRACTIONS +/-	CHECKED		
ANGLES +/-	CHECKED		
FOR MATERIALS AND FINISHES SEE NOTES	DRAWING FILE :		
REMOVE SHARP EDGES	ANGLE OF PROJECTION		
DIMENSIONS	U.S. INCHES		
U.S.	METRIC MM		

Amphenol		Amphenol East Asia Limited
TITLE		
Stamped and formed contact,HD series		SIZE DRAWING NO.
A4	L717HDXXXPD1CH4F	REV. 2
SCALE	NONE	SHEET 1 OF 1