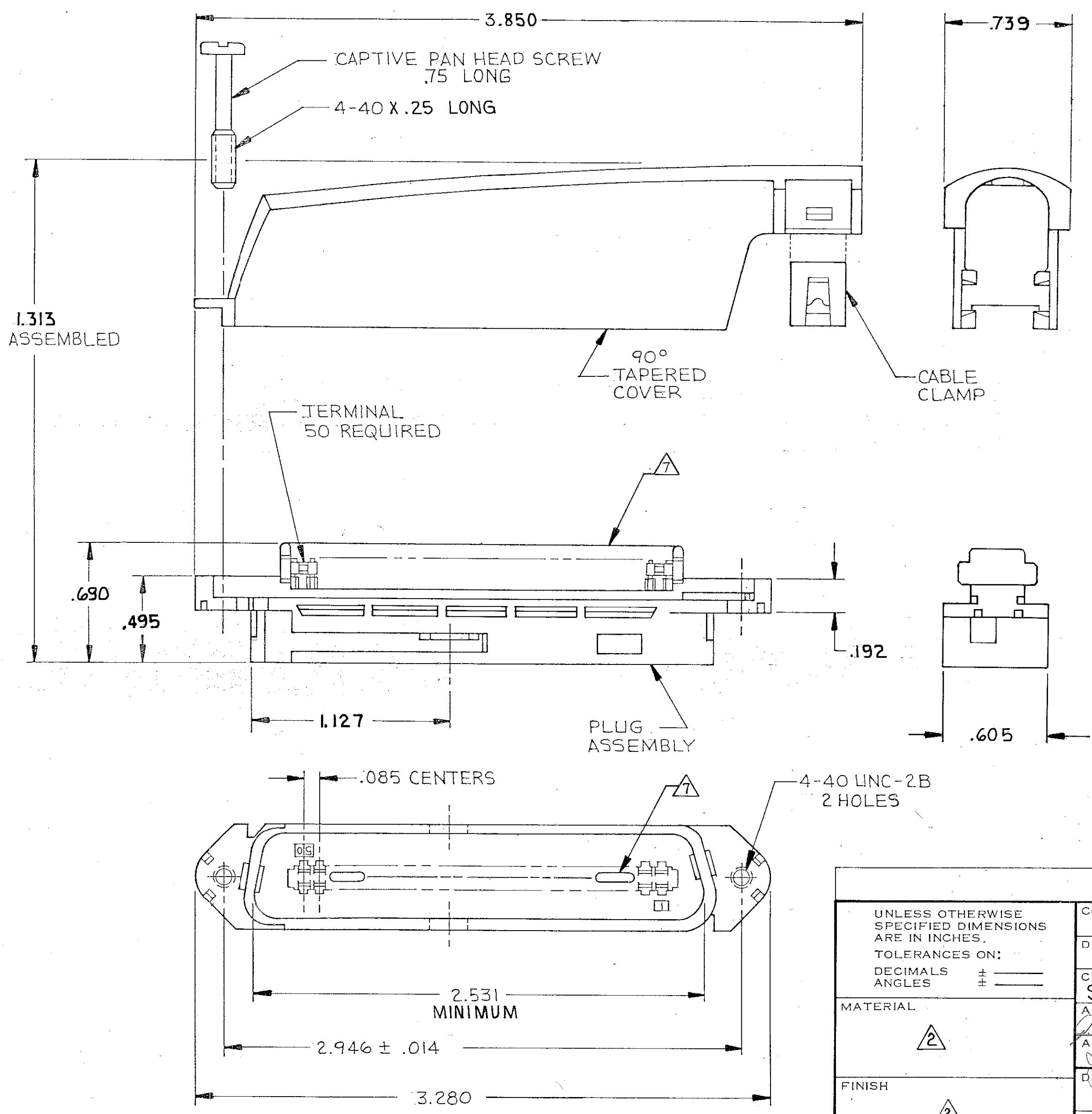


THIS DRAWING IS UNPUBLISHED. RELEASED FOR PUBLICATION, 19
 © COPYRIGHT 19 BY AMP INCORPORATED, HARRISBURG, PA. ALL INTERNATIONAL RIGHTS RESERVED. AMP PRODUCTS MAY BE COVERED BY U.S. AND FOREIGN PATENTS AND/OR PATENTS PENDING.

REVISIONS					DATE	APPROVED
P	F	ZONE	LTR	DESCRIPTION		
N				OBsolete - 4; ECN AA-5904	11-30-89	LHS TC
P				REV; EC OUC-0040-01	3-19-01	DD EB



- THE CONTACT SURFACES OF THE TERMINALS ARE COATED WITH LUBRICANT.
- MATERIAL: HOUSING, COVER AND CABLE CLAMP - THERMOPLASTIC. TERMINALS - GOLD OVER NICKEL PLATED HIGH STRENGTH COPPER ALLOY. HARDWARE - ZINC PLATED STEEL.
- THIS KIT SHIPPED UNASSEMBLED.
- WIRE SIZE: 22 AWG SOLID OR 22 AWG, 7 STRANDS OF COPPER CONDUCTORS. MAXIMUM INSULATION DIAMETER OF .045 IS ACCEPTABLE FOR MOST APPLICATIONS.
- ALL DIMENSIONS SHOWN ARE MAXIMUM UNLESS OTHERWISE SPECIFIED.
- KIT SHIPPED IN POLY BAG FORM.
- CORING MAY OR MAY NOT APPEAR AND IS AT THE DISCRETION OF AMP INCORPORATED.

.550	BLACK	552382-1
.500	COLOR	PART NO

UNLESS OTHERWISE SPECIFIED DIMENSIONS ARE IN INCHES. TOLERANCES ON: DECIMALS ± _____ ANGLES ± _____	CONTRACT NO	AMP AMP INCORPORATED Harrisburg, Pa. 17105		
	DR <i>J. Johnson 7-8-86</i>			
	MATERIAL	NAME Stephen Doss 7-17-86	PLUG KIT, 50 POSITION, C SLOT, SCREW LOCK, TAPERED COVER, CHAMP-LOK	
	FINISH	DESIGN APPD <i>D.W. Johnson 7-17-86</i>	SIZE C	FSCM NO 00779
	OTHER APPD	SCALE 2:1	SHEET 1 OF 1	

552382