

MATERIALS AND FINISHES:
FOR STANDARD SMP

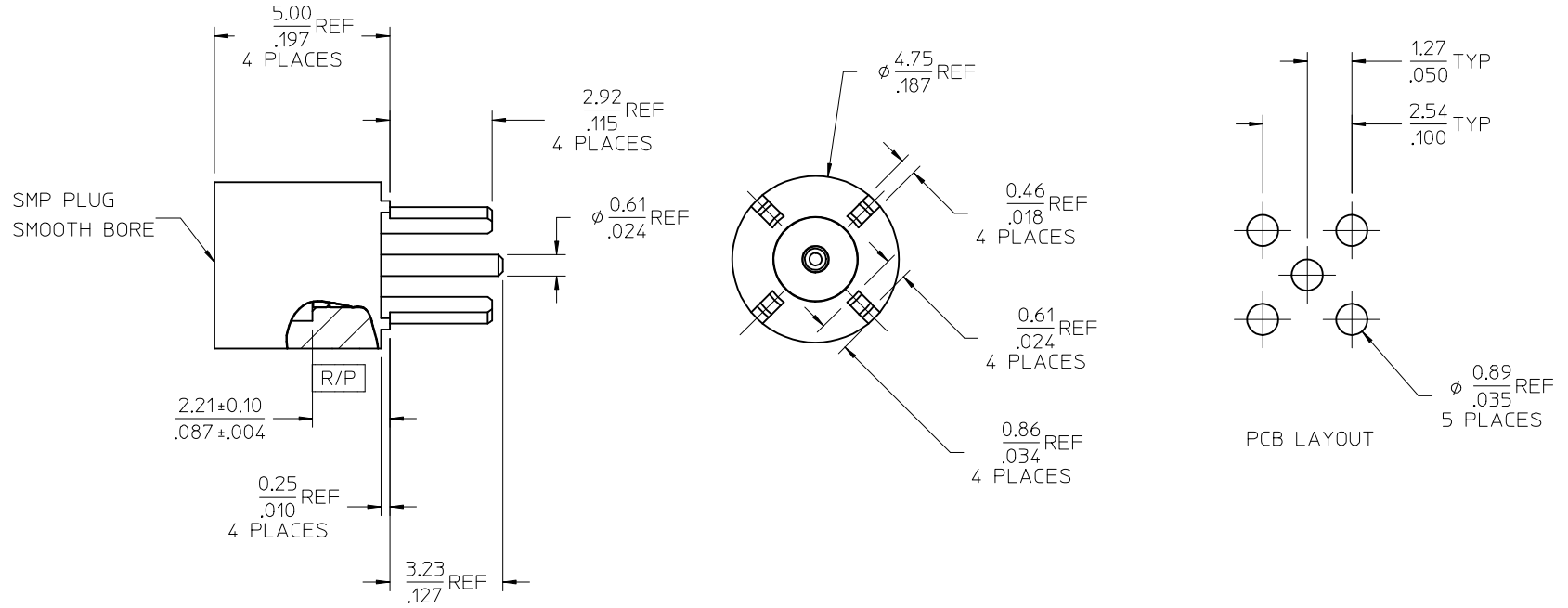
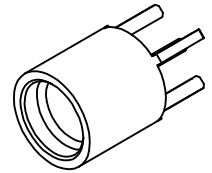
BODY, CONTACT: BERYLLIUM COPPER
PLATED: GOLD (50μ-in MIN)
OVER NICKEL (100μ-in MIN)

INSULATOR: PTFE

MATERIALS AND FINISHES:
FOR NON-MAGNETIC SMP

BODY, CONTACT: BERYLLIUM COPPER
PLATED: GOLD (8μ-in MIN)
OVER NICKEL PHOSPHOR (80μ-in MIN)

INSULATOR: PTFE



73415-7011	NON-MAGNETIC
73415-7010	STANDARD
PART NO.	DESCRIPTION

PS-89675-3320	ELEC/MECH PERFORMANCE
MIL-STD-348B, FIG. 326.4	INTERFACE SMP P SB
SPECIFICATION	DESCRIPTION

CHG: ADD TOLERANCE TO DIM 2.21/.087 IN E10/11 ZONE.	UPD MATERIALS AND FINISHES NOTE.	DRW:VAPRAKASH01 2017/06/13	CHKD:888 2017/06/13	APPR:AROBERTSON 2017/06/28
REV	DESCRIPTION	QUALITY SYMBOLS	GENERAL TOLERANCES (UNLESS SPECIFIED)	
C2		▽=0	mm	INCH
		▽=0	4 PLACES ± ---	± ---
		▽=0	3 PLACES ± ---	± .010
			2 PLACES ± 0.25	± ---
			1 PLACE ± ---	± ---
			0 PLACE ± ---	± ---
			ANGULAR ± 2 °	
			DRAFT WHERE APPLICABLE MUST REMAIN WITHIN DIMENSIONS	

DIMENSION STYLE		SCALE	DESIGN UNITS	THIRD ANGLE PROJECTION
MM/IN			METRIC	
DRAWN BY	DATE	TITLE		
AZR	2008/03/03	SMP P SMOOTH BORE VERT PCB THRU STD & NON-MAG SMP-P/PCB, EWR-3570		
CHECKED BY	DATE			
SSS	2008/03/03			
APPROVED BY	DATE			
JDW	2008/03/03			
MATERIAL NO.	DOCUMENT NO.			
SEE TABLE	SD-73415-701			
SIZE	THIS DRAWING CONTAINS INFORMATION THAT IS PROPRIETARY TO MOLEX INCORPORATED AND SHOULD NOT BE USED WITHOUT WRITTEN PERMISSION			
C				

DRAWN BY		DATE	TITLE	
AZR		2008/03/03	SMP P SMOOTH BORE VERT PCB THRU STD & NON-MAG SMP-P/PCB, EWR-3570	
CHECKED BY		DATE		
SSS		2008/03/03		
APPROVED BY		DATE		
JDW		2008/03/03		
MATERIAL NO.	DOCUMENT NO.			
SEE TABLE	SD-73415-701			
SIZE	THIS DRAWING CONTAINS INFORMATION THAT IS PROPRIETARY TO MOLEX INCORPORATED AND SHOULD NOT BE USED WITHOUT WRITTEN PERMISSION			
C				