

# PART NO MATRIX

**E W 6 A 0 6 1 1 5 M X X X**

E=ETHERNET

HEADS:  
W=M12 4-Pole Ultra Lock  
D-Coding  
6=RJ45

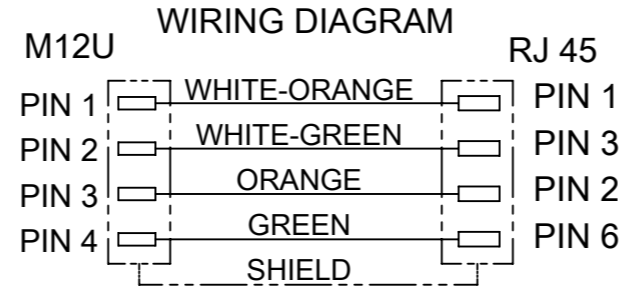
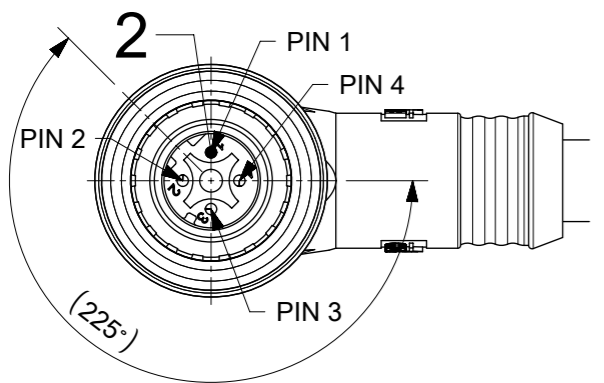
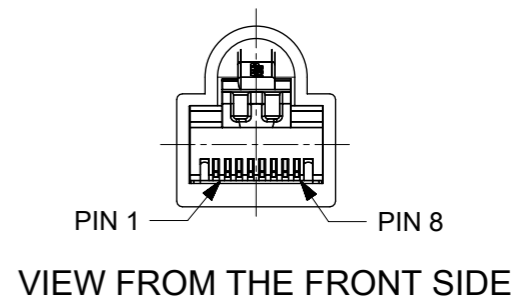
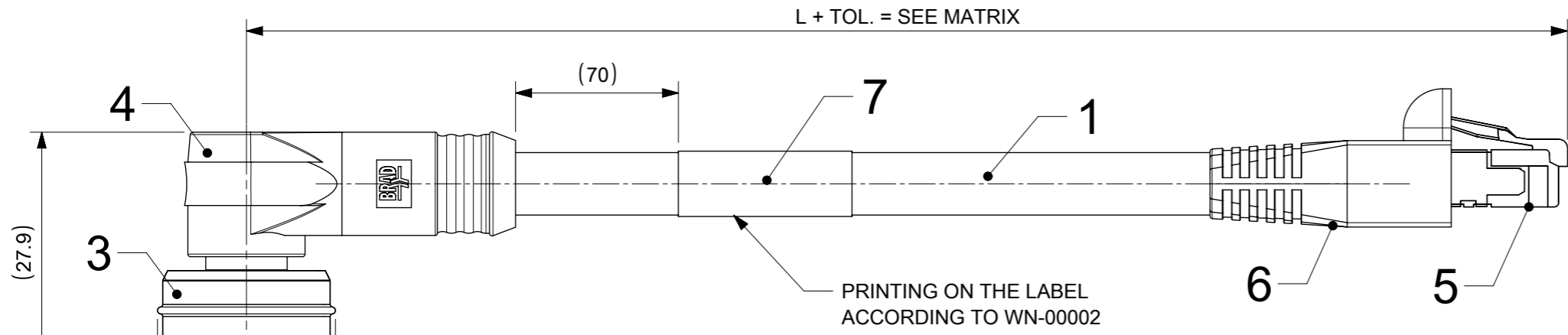
HEADS STYLE:  
061=MALE RA / RJ 45 PLUG STR

UNITS:  
M= METER  
T=10x METER

WIRING TYPE:  
A=4 Pole  
STRAIGHT WIRED

CABLE TYPE :

LENGTH EXAMPLES:  
005=0.5m  
010=1m  
150=15m



## BOM

ITEM	QTY.	DESCRIPTION	MATERIAL	FINISH/COLOR
7	1	WRAP LABEL	VINYL	YELLOW
6	1	STRAIN RELIEF BOOT	-	BLACK
5	1	RJ45-PLUG	-	-
4	-	MOULDING MATERIAL	PUR	BLACK
3	1	M12 4P ULTRALOCK ASSY	-	-
2	4	CONTACT 10 MALE	BRASS	GOLD OVER Ni-PLATED
1	-	CABLE #26-4 SHIELDED CAT5E	PVC	TEAL

## PART LIST

SL. NO	MOLEX PN	ENGINEERING NO.	LENGTH (mm)
1	1201088214	EW6A06115M020	2000
2	1201088215	EW6A06115M060	6000
3	1201088216	EW6A06115M100	10000
4	1201088217	EW6A06115M150	15000
5	1201088218	EW6A06115M200	20000
6	1201088219	EW6A06115M300	30000
7	1201088220	EW6A06115M400	40000
8	1201088221	EW6A06115M500	50000
9	1201088222	EW6A06115M900	90000
10	1201088223	EW6A06115T100	100000

DOCUMENT STATUS | P1 | RELEASE DATE | 2022/03/08 15:22:43

NOTES :

ELECTRICAL DATA :  
ACCORDING TO CAT5e  
VOLTAGE RATING : 30V  
AMPERAGE RATING : 1.5A  
INSULATION RESISTANCE : 10<sup>9</sup>Ω MIN.  
MATING CYCLES : MIN. 100  
ENVIRONMENTAL :  
PROTECTION CLASS RJ45 : IP20  
PROTECTION : IP67 IN MATED AND LOCKED POSITION  
OPERATING TEMPERATURE : -25°C TO +80°C

### TABLE OF LENGHT TOLERANCES (mm)

OVER	UP TO AND INCLUDING	TOLERANCE
0	305	+19
305	915	+45
915	1830	+56
1830	3660	+89
3660	7320	+165
7320	14640	+317
14640	30500	+610
30500	>	+2% OF LENGTH

THIS DRAWING CONTAINS INFORMATION THAT IS PROPRIETARY TO MOLEX ELECTRONIC TECHNOLOGIES, LLC AND SHOULD NOT BE USED WITHOUT WRITTEN PERMISSION

FUNCTIONAL SYMBOLS:  $\nabla/A = 0$ ,  $\nabla/E = 0$ ,  $\nabla/F = 0$

DIVISIONAL SYMBOLS

THIS DRAWING CONTAINS INFORMATION THAT IS PROPRIETARY TO MOLEX ELECTRONIC TECHNOLOGIES, LLC AND SHOULD NOT BE USED WITHOUT WRITTEN PERMISSION

SCALE: mm 3:2

GENERAL TOLERANCES (UNLESS SPECIFIED):  
ANGULAR TOL ± 1.0°  
4 PLACES ±  
3 PLACES ±  
2 PLACES ± 0.05  
1 PLACE ± 0.3  
0 PLACES ± 0.5

DRAFT WHERE APPLICABLE MUST REMAIN WITHIN DIMENSIONS

THIRD ANGLE PROJECTION

DRAWING: A3-SIZE

SERIES: 120108

MATERIAL NUMBER: SEE PART LIST

CUSTOMER: GENERAL MARKET

SHEET NUMBER: 1 OF 1

EC NO: 698441  
DRWN: MDHARMANTI 2022/02/22  
CHK'D: RSILLER 2022/03/08  
APPR: RSILLER 2022/03/08

INITIAL REVISION:  
DRWN: MDHARMANTI 2022/02/22  
APPR: RSILLER 2022/03/08

CURRENT REV DESC: MIGRATED

**molex**

MIC 4P M ULLOCK 90D TO RJ45 XM PVC SHLD

PRODUCT CUSTOMER DRAWING

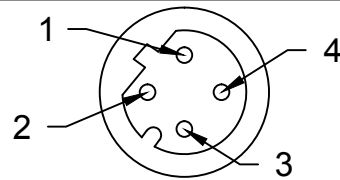
DOCUMENT NUMBER: 1201088214

DOC TYPE: PSD

DOC PART: 000

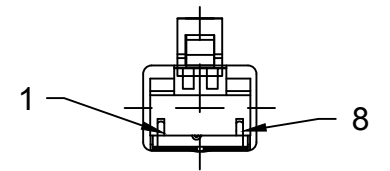
REVISION: A

FRONT VIEW - MALE M12

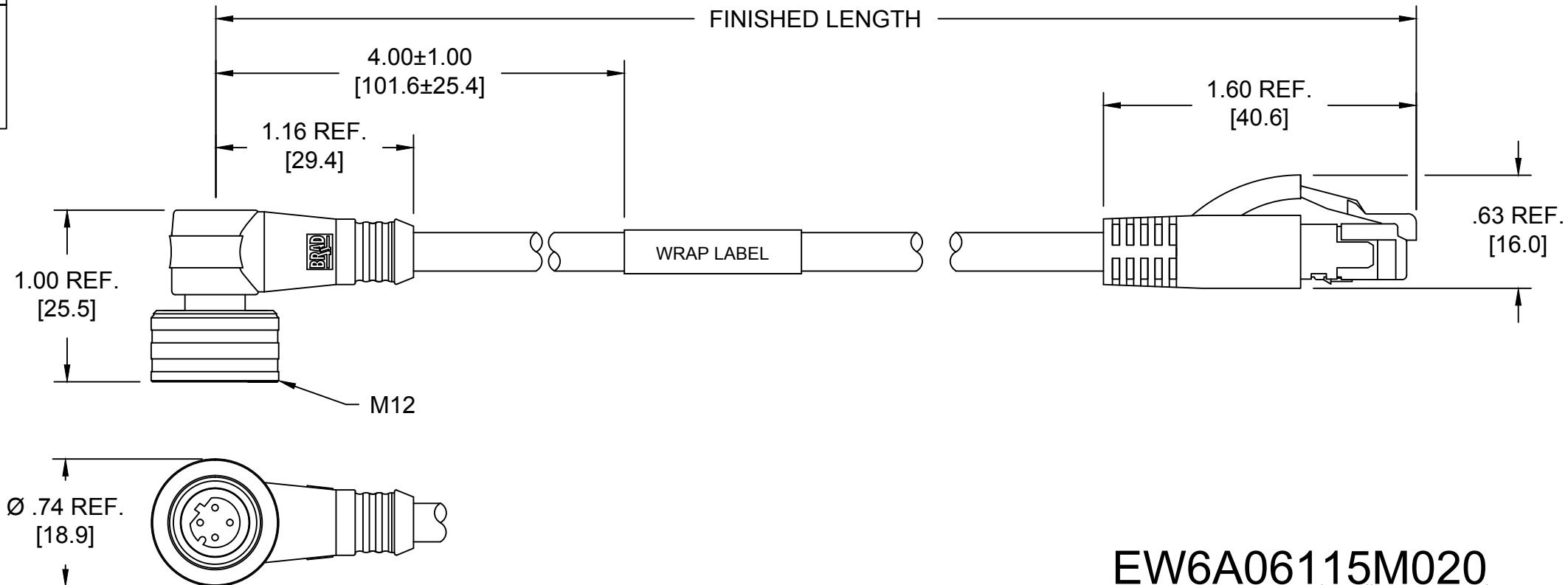


- 1-WHITE/ORANGE
- 2-WHITE/GREEN
- 3-ORANGE
- 4-GREEN

FRONT VIEW - MALE RJ45



- 1-WHITE/ORANGE
- 2-ORANGE
- 3-WHITE/GREEN
- 6-GREEN



NOTES:

MECHANICAL

RJ45  
 PLUG: CLEAR POLYCARBONATE  
 BOOT: BLACK PVC

M12 CONNECTOR  
 INSERT: BLACK PUR  
 CONTACT: GOLD/NICKEL OVER COPPER ALLOY  
 COUPLING NUT: NICKEL PLATED BRASS  
 MOLDED BODY: BLACK PUR

CABLE: 26 AWG 4 CONDUCTORS SHIELDED TEAL PVC JACKET  
 UL LISTED: CMR  
 CSA LISTED: CMR  
 CABLE MARKING: *BradConnectivity™* INDUSTRIAL ETHERNET CAT 5E FLEX PATCH CORD P/N 87-2441  
 -- E118830 (UL) C(UL) TYPE CMR 2 PR 26 AWG 75C - RoHS - (LOT DESIGNATOR)  
 (SEQUENTIAL METERS)

WRAP LABEL: MARKED WITH P/N, DATE CODE, VOLTAGE & AMPERAGE

ELECTRICAL

ACCORDING TO CAT5e  
 VOLTAGE RATING: 30V AC/DC  
 AMPERAGE: 1.5A

**EW6A06115M020**

CABLE TYPE: 2Px26AWG PVC TEAL  
 CABLE LENGTH: 010----1 Meter / 100----10 Meters

INITIAL RELEASE EC NO: IPG2014-1039 DRWN: BARDEN 2013/12/04 CHKD: TWOLDEGE 2014/04/09 APPR: JFMURPHY 2014/08/02	DESCRIPTION REV	QUALITY SYMBOLS ▽=0 ▽C=0	GENERAL TOLERANCES (UNLESS SPECIFIED)		DIMENSION STYLE IN/MM		SCALE NTS	DESIGN UNITS INCH	THIRD ANGLE PROJECTION		
			mm	INCH	DRAWN BY	DATE	TITLE <b>MICRO-CHANGE/RJ45                  4P M ULOCK 90D TO RJ45                  #26-2P TEAL PVC CAT5E</b>				
		4 PLACES	±---	±---	BARDEN	2013/12/04					
		3 PLACES	±---	±.005	CHECKED BY	DATE					
	2 PLACES	±0.13	±.010	TWOLDEGE	2014/04/09	MOLEX INCORPORATED					
	1 PLACE	±0.25	±.020	APPROVED BY	DATE						
ANGULAR ±1/2°			DRAFT WHERE APPLICABLE MUST REMAIN WITHIN DIMENSIONS		MATERIAL NO. ---		DOCUMENT NO. <b>SD-120108-069</b>		SHEET NO. <b>1 OF 1</b>		
SIZE <b>B</b>			THIS DRAWING CONTAINS INFORMATION THAT IS PROPRIETARY TO MOLEX INCORPORATED AND SHOULD NOT BE USED WITHOUT WRITTEN PERMISSION								