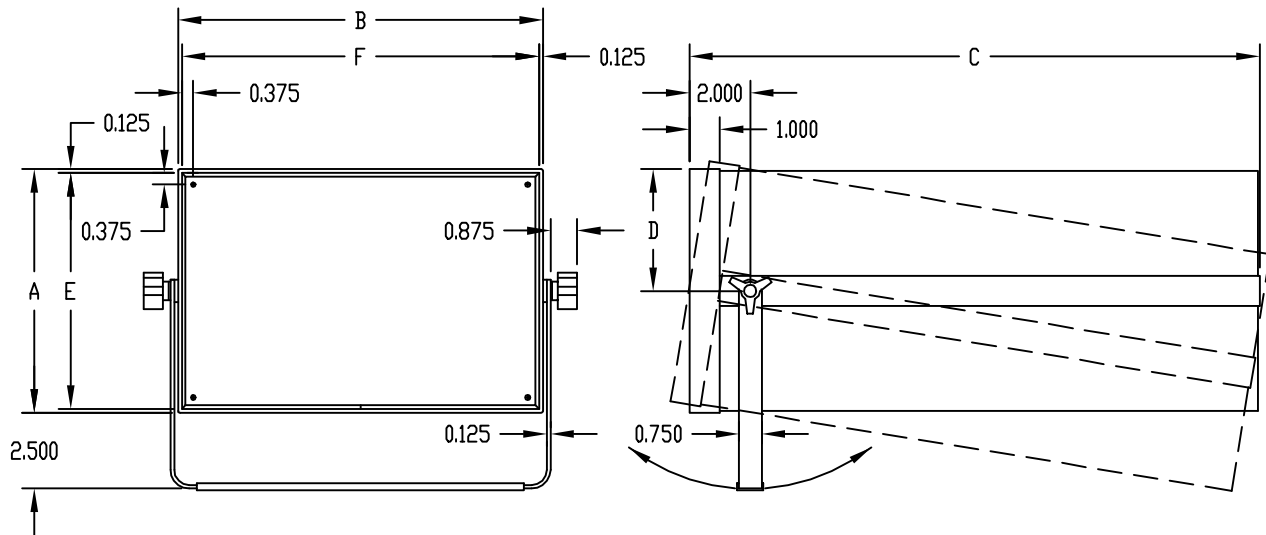
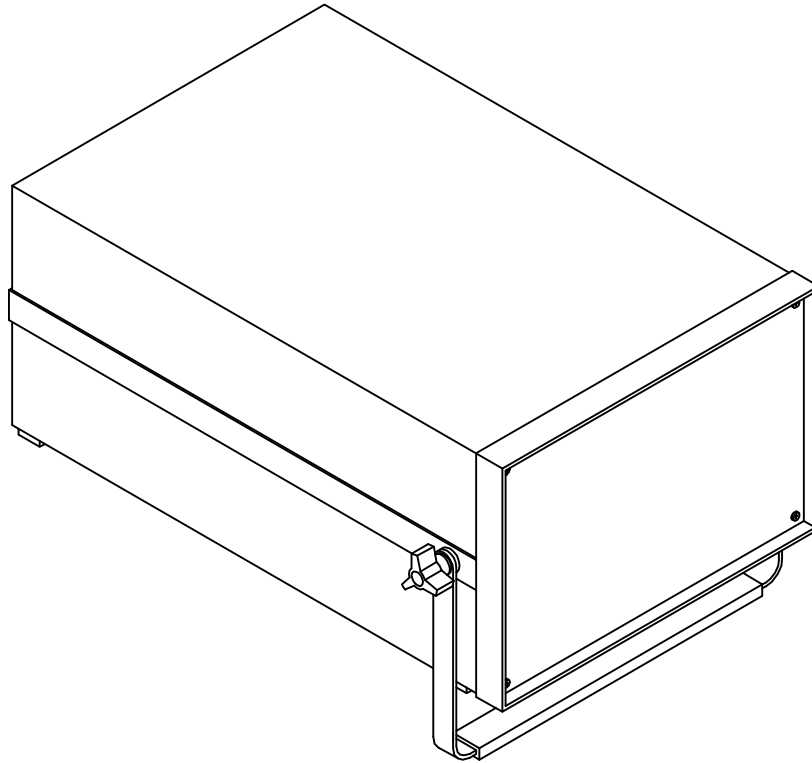


PART NAME

TR SERIES

PART No.

TR-6100 THRU TR-6103



FINISH:

FRAME AND BAIL _____ WHITE TEXTURED
 FRONT PANEL AND COVERS _____ ROYAL BLUE TEXTURED
 BAIL, TUBING, FEET AND KNOBS _____ BLACK
 BAIL WASHERS _____ WHITE TEFLON

MATERIAL:

FRONT PANEL _____ 0.090 ALUMINUM
 CORNER GUSSETS _____ 0.060 ALUMINUM
 COVERS _____ 0.050 ALUMINUM
 FRAME _____ EXTRUDED ALUMINUM
 BAIL _____ EXTRUDED ALUMINUM
 BAIL TUBING _____ NEOPRENE
 FEET _____ SELF-ADHESIVE RUBBER
 KNOBS _____ PLASTIC

NOTES:

FRONT PANEL RECESSED 0.375.

| PART No. | OVERALL | | | | PANEL SPACE | | PANEL | | INSIDE CLEARANCE | | |
|----------|---------|--------|--------|-------|-------------|--------|-------|--------|------------------|--------|--------|
| | A | B | C | D | E | F | G | H | HEIGHT | WIDTH | DEPTH |
| TR-6100 | 3.500 | 8.312 | 10.750 | 1.750 | 3.250 | 8.046 | 3.187 | 7.984 | 3.000 | 7.796 | 10.000 |
| TR-6101 | 5.250 | 8.312 | 13.250 | 2.625 | 5.000 | 8.046 | 4.937 | 7.984 | 4.750 | 7.796 | 12.500 |
| TR-6102 | 7.000 | 11.062 | 13.250 | 3.500 | 6.750 | 10.828 | 6.687 | 10.765 | 6.500 | 10.578 | 12.500 |
| TR-6103 | 8.000 | 12.000 | 18.750 | 4.000 | 7.750 | 11.750 | 7.687 | 11.687 | 7.500 | 11.500 | 18.000 |