

Product Specification



Patch Antenna JLTD1575-1602S18N4A

Feature

High gain , Compact

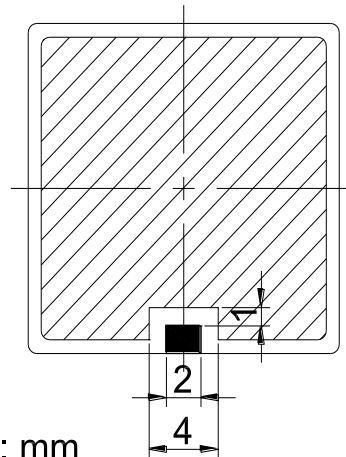
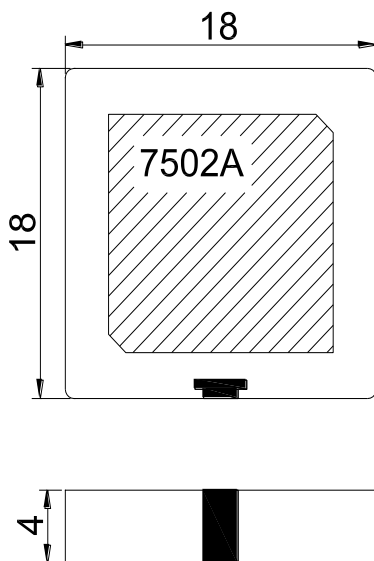
Pin type

Customization available

Electrical Specification

Center Frequency	1575.42 MHz	1602 MHz
Return Loss @ F0	$\geq 10\text{dB}$	
Bandwidth @ 10dB Return loss	-	
Polarization	RHCP	
Gain @ Zenith	-	
Ground plane	50x50 mm	
Impedance	50 Ω	
Frequency Temperature Coefficient	± 20 ppm/ $^{\circ}\text{C}$	
Operation Temperature Range	-40 ~ +85 $^{\circ}\text{C}$	

Mechanical Drawing



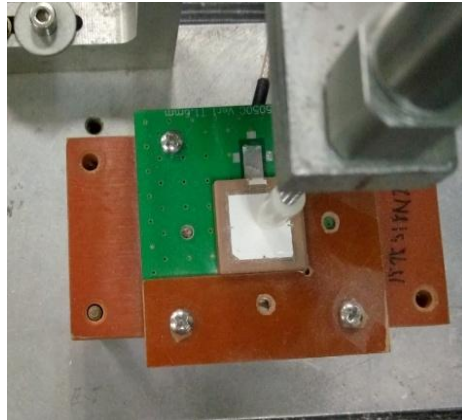
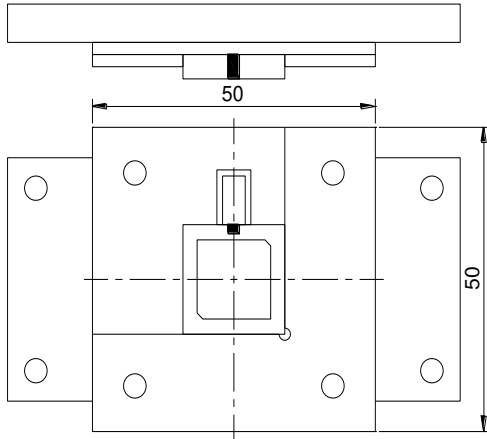
Unit: mm
Tolerance: ± 0.2

Product Specification



Patch Antenna JLTD1575-1602S18N4A

Test Fixture



Characteristics

