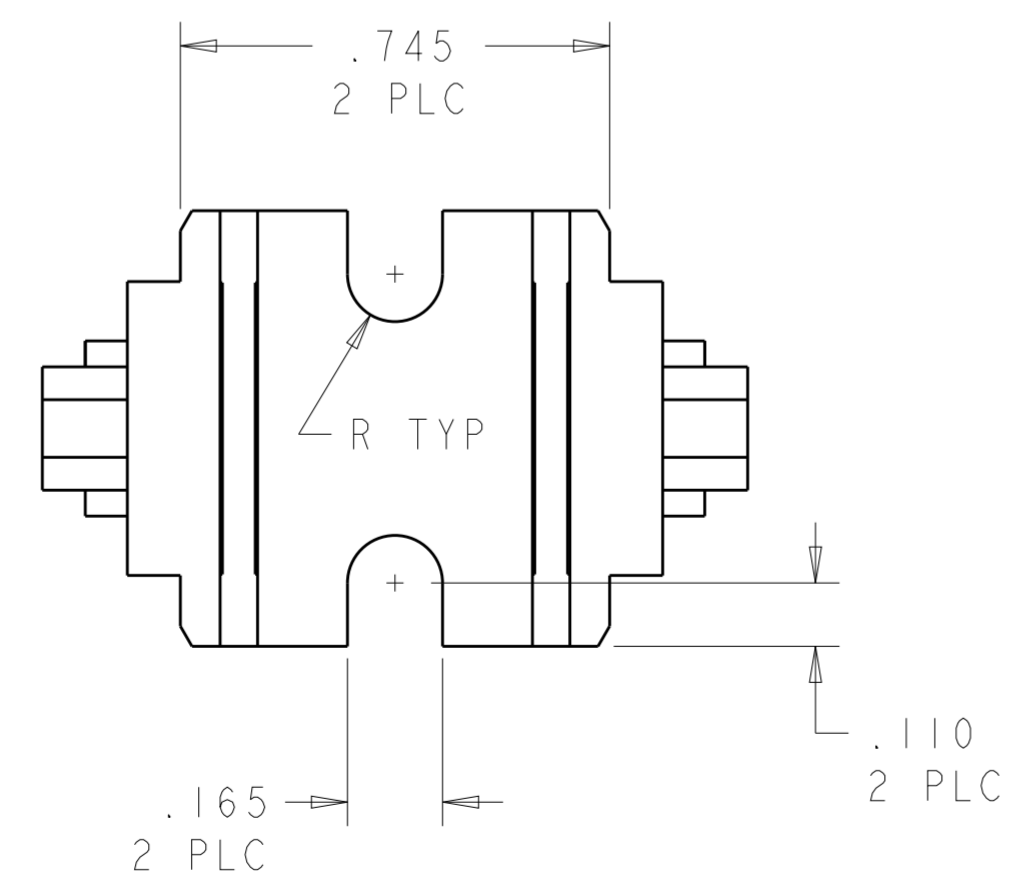
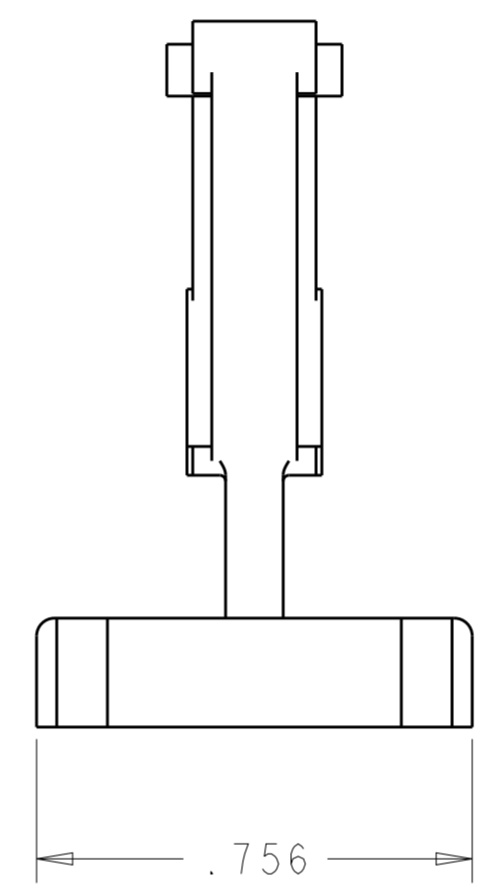
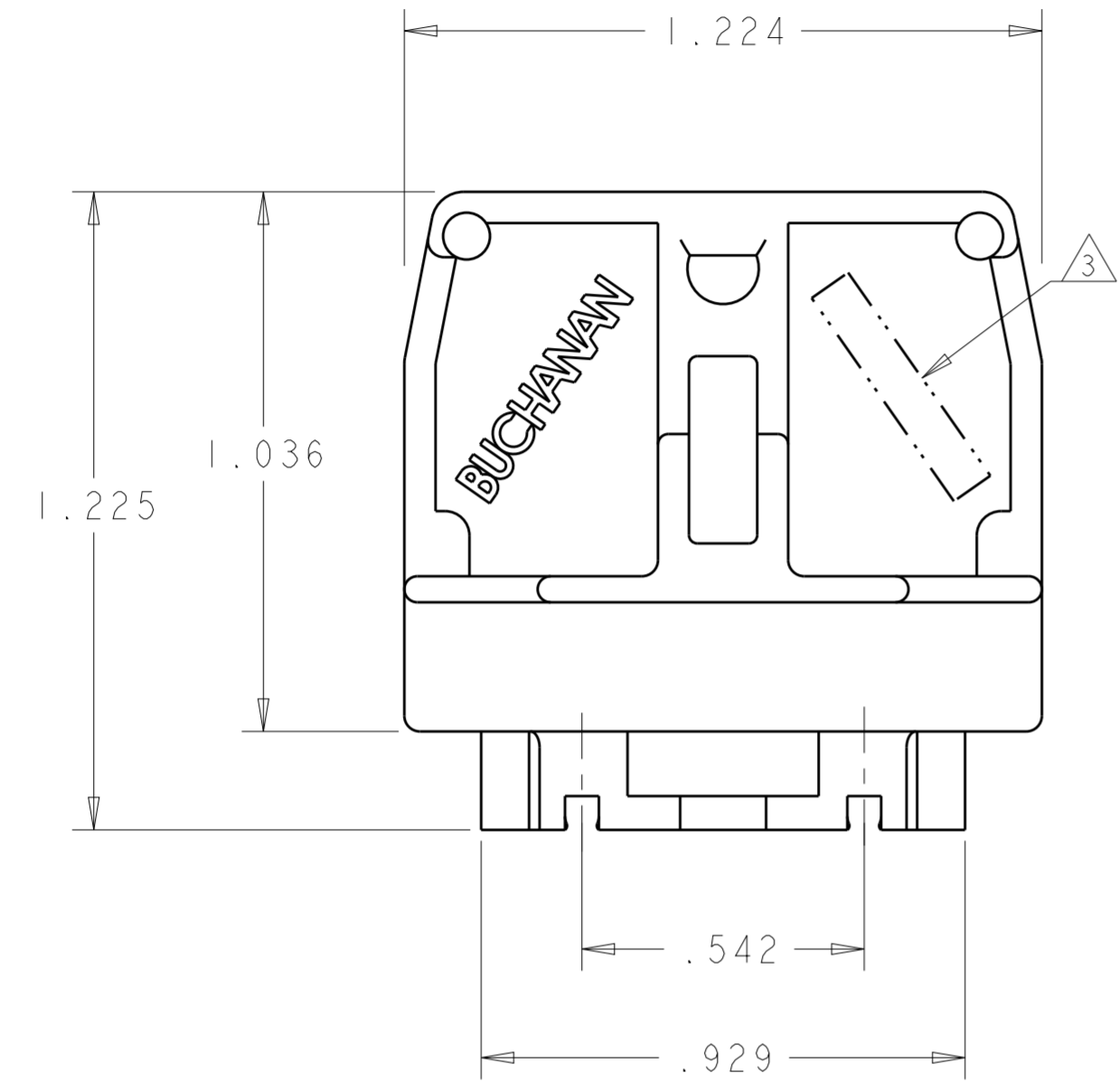


THIS DRAWING IS UNPUBLISHED. RELEASED FOR PUBLICATION 20
 © COPYRIGHT 20 BY - ALL RIGHTS RESERVED.

LOC		DIST		REVISIONS			
P	LTR	DESCRIPTION	DATE	DWN	APVD		
	E	REVISED PER ECO-13-000447	11JAN2013	KH	MB		



- ① POLYESTER, UL 94V-0 RATED, COLOR: GRAY.
- ② SEE RESTRICTED CUSTOMER DRAWING 3-1437394-9.
- ③ TYCO ELECTRONICS LOGO LOCATED APPROXIMATELY AS SHOWN

3-1437394-9	②
1546163-1	
PART NUMBER	

THIS DRAWING IS A CONTROLLED DOCUMENT.		DWN S. WELDON 13JUN2002	STE TE Connectivity	
DIMENSIONS: INCHES		CHK S. YODER 13JUN2002		
TOLERANCES UNLESS OTHERWISE SPECIFIED:		APVD S. YODER 13JUN2002	NAME TERMINAL BLOCK, END SECTION MEDIUM DUTY, FLAT BASE	
0 PLC ±		PRODUCT SPEC -	SIZE A200779	CAGE CODE C-1546163
1 PLC ±		APPLICATION SPEC -	SCALE 3:1	SHEET 1 OF 1
2 PLC ±		WEIGHT -	REV E	
3 PLC ±.010		CUSTOMER DRAWING		
4 PLC ±				
ANGLES ±				
FINISH -				