

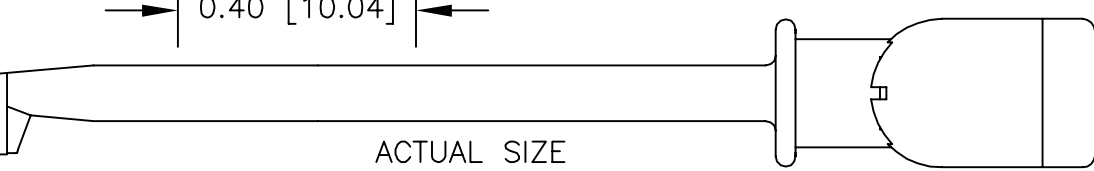
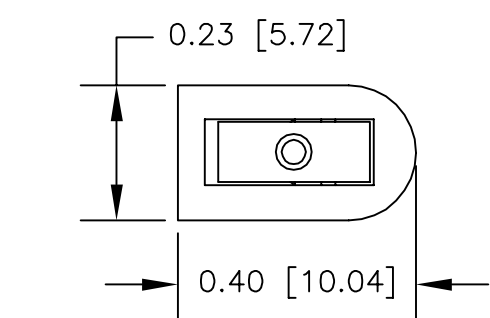
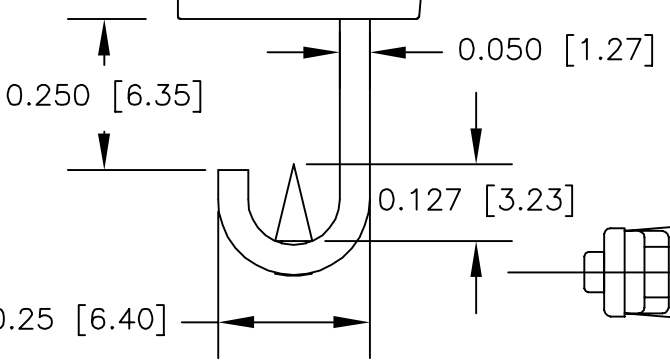
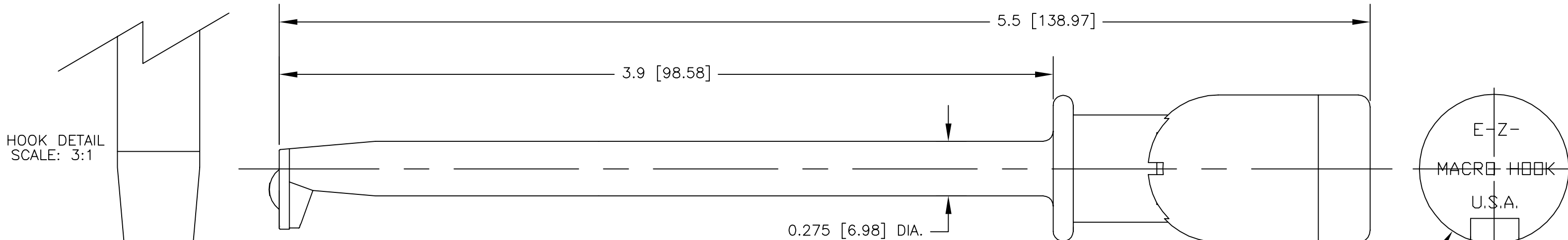
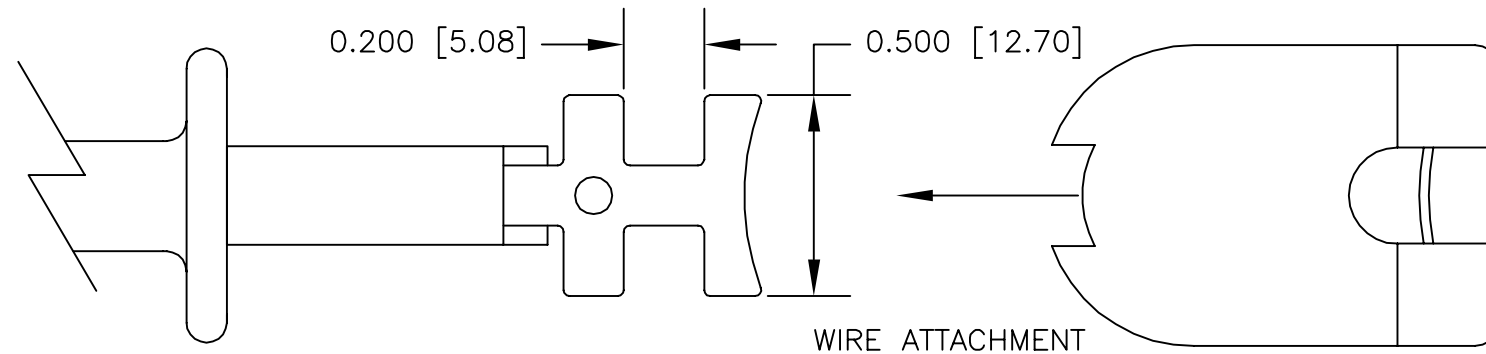
NOTES: UNLESS OTHERWISE SPECIFIED

LTR	DESCRIPTION	REVISIONS		DATE	APPROVED

1. CONSTRUCTION:
 HOUSING & PLUNGER: MOLDED NYLON TYPE 6,6. AVAILABLE IN TEN COLORS.
 CONTACT BLADE: NICKEL SILVER ALLOY CA 770.
 SPRING: STAINLESS STEEL TYPE 302.

2. PERFORMANCE:
 MAXIMUM CURRENT: 10.9 AMPS WITH A 76° TEMPERATURE RISE.
 MAXIMUM VOLTAGE: 2.4 KV
 MAXIMUM TEMPERATURE: 200°F (93°C)

3. FEATURES:
 HOOK PIERCES WIRE UP TO $\phi 0.140$ " [3.56].
 FIELD SERVICEABLE.



		UNLESS OTHERWISE SPECIFIED DIMENSIONS ARE IN INCHES TOLERANCES ARE: FRACTIONS DECIMALS ANGLES ± .XX ± ± .XXX ±		CONTRACT NO.		E-Z-HOOK DIVISION OF TEKTEST INC. ARCADIA, CA 91006 U.S.A.			
		MATERIAL SEE NOTE.		APPROVALS	DATE			DESCRIPTION	
		FINISH SEE NOTE.		DRAWN	R.L.	6/09	E-Z-MACRO HOOK. INSULATION-PIERCING, LONG		
NEXT ASSY		USED ON		APPROVED BY		SIZE	CODE IDENT NO.	DRAWING NO.	REV.
APPLICATION		DO NOT SCALE DRAWING				B	08505	XJL	
						SCALE	2:1		SHEET 1 OF 1